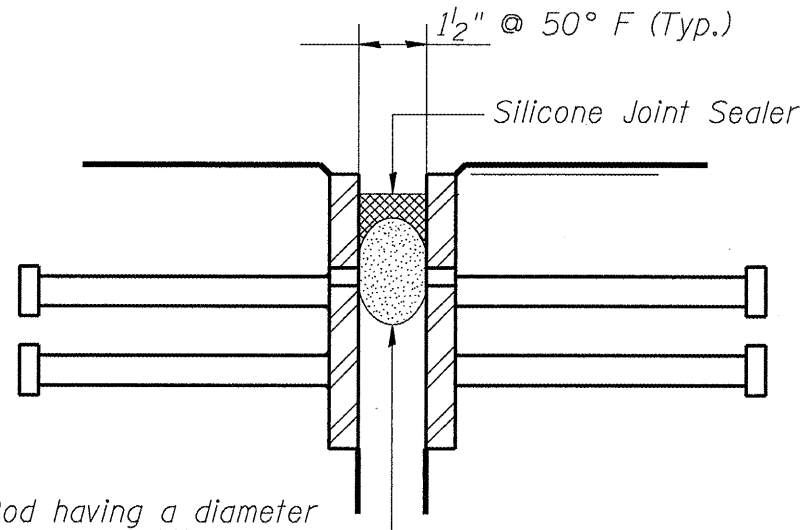
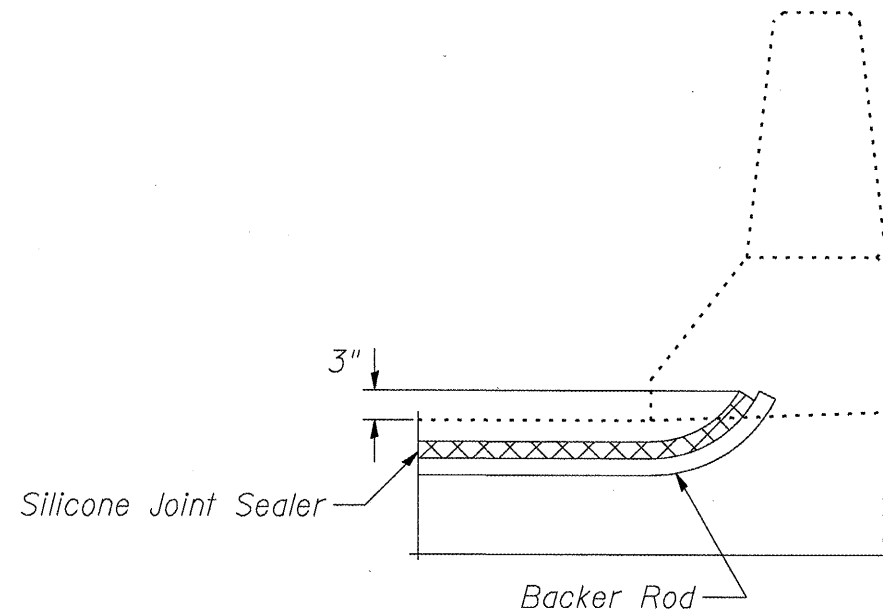


SILICONE JOINT SEALER DETAIL



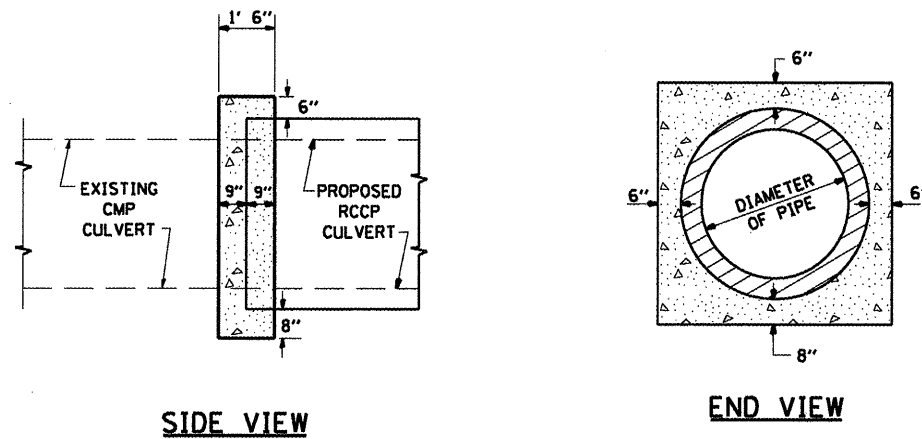
Backer Rod having a diameter 25% greater than the joint opening at the time of installation.

Cost of removing the existing PJS is included with the cost of Silicone Joint Sealer.



END OF SEAL TREATMENT

DETAILS OF CONCRETE COLLAR FOR PIPE CULVERT



SIDE VIEW

END VIEW

THE CONCRETE COLLAR SHALL BE PAID FOR AT THE CONTRACT UNIT PRICE PER CUBIC YARD FOR **CONCRETE COLLAR**, AS SHOWN ON THE PLANS. CLASS SI CONCRETE SHALL BE USED THROUGHOUT.

QUANTITY ONE COLLAR

DIA OF PIPE	CLASS SI CONC CU YD (EST)
24"	
30"	
36"	0.76

REVISIONS

DRAWN	7-2-99
REVISED	8-22-99
REVISED	3-26-08
REVISED	

STD. 9-77

FILE NAME =	USER NAME = shepardgd	DESIGNED - ---	REVISED - ---
cs:\pwwork\pwwdot\shepardgd\08172891\7876-sht-typicol.dgn		DRAWN - ---	REVISED - ---
	PLOT SCALE = 1/8" = 1' IN.	CHECKED - ---	REVISED - ---

STATE OF ILLINOIS
DEPARTMENT OF TRANSPORTATION

SILICONE JOINT SEALER, PARAPET, AND
CONCRETE COLLAR DETAILS

F.A.I. RTE.	SECTION	COUNTY	TOTAL SHEETS	SHEET NO.
57	(41)-1R-1	JEFFERSON	47	42
CONTRACT NO. 78176				