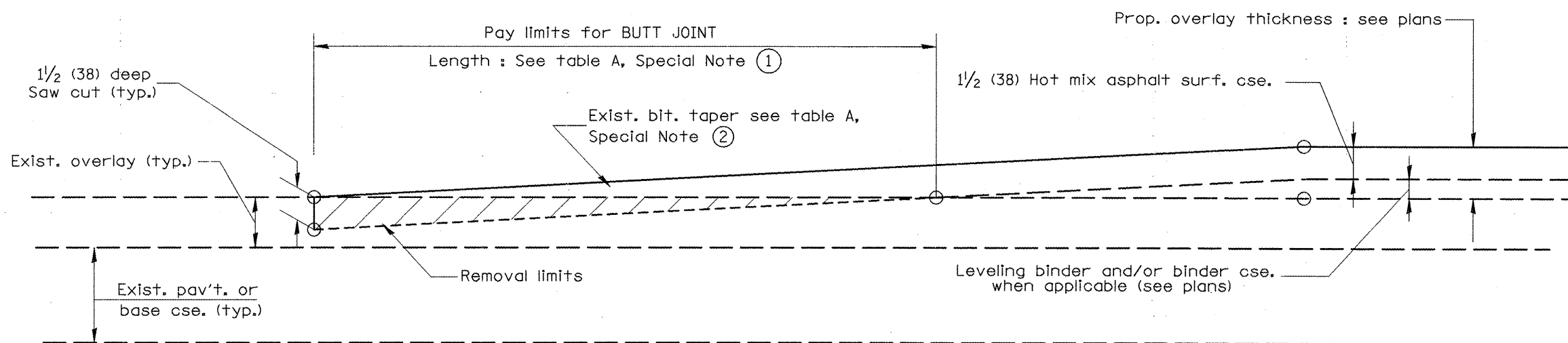
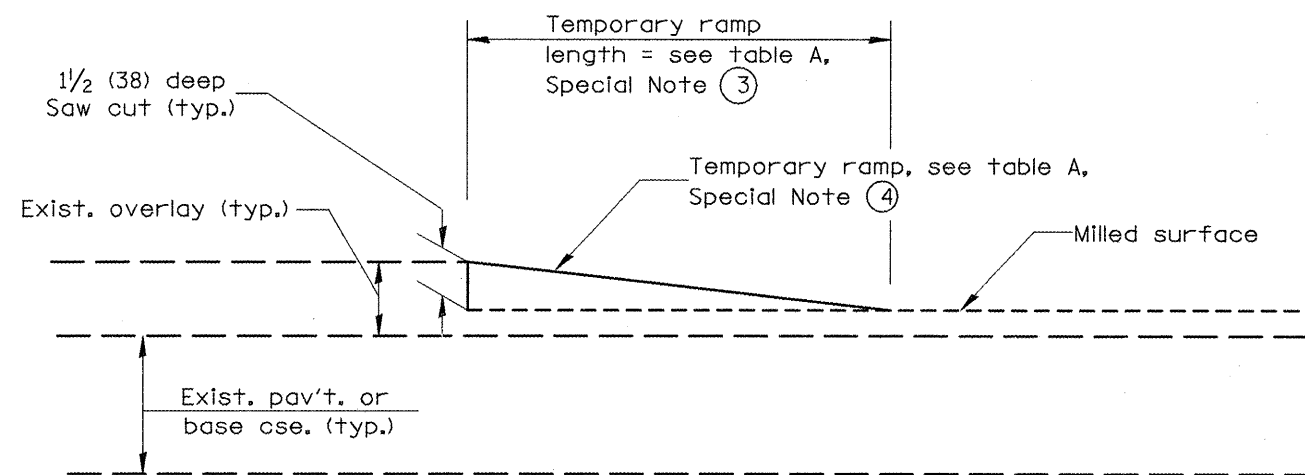


**CASE 3 : WITH HOT MIX ASPHALT SURFACE REMOVAL (COLD MILLING)**  
**TIE-IN TO EXISTING BITUMINOUS TAPER**



**CASE 4 : NO HOT MIX ASPHALT SURFACE REMOVAL (COLD MILLING)**  
**TIE-IN TO EXISTING BITUMINOUS TAPER**



**DETAIL TEMPORARY RAMP**

All dimensions are in inches (millimeters) unless otherwise noted.


STATE OF ILLINOIS  
DEPARTMENT OF TRANSPORTATION

BUTT JOINTS

NOT TO SCALE

SHT. 2 OF 3  
CADD STD. 406101-D4

F.A.P. RTE.	SECTION	COUNTY	TOTAL SHEETS	SHEET NO.
317	16W-2,RS-4;17W-1,RS-3	FULTON	240	133
FED. ROAD DIST. NO. ILLINOIS FED. AID PROJECT			CONTRACT NO. 88703	