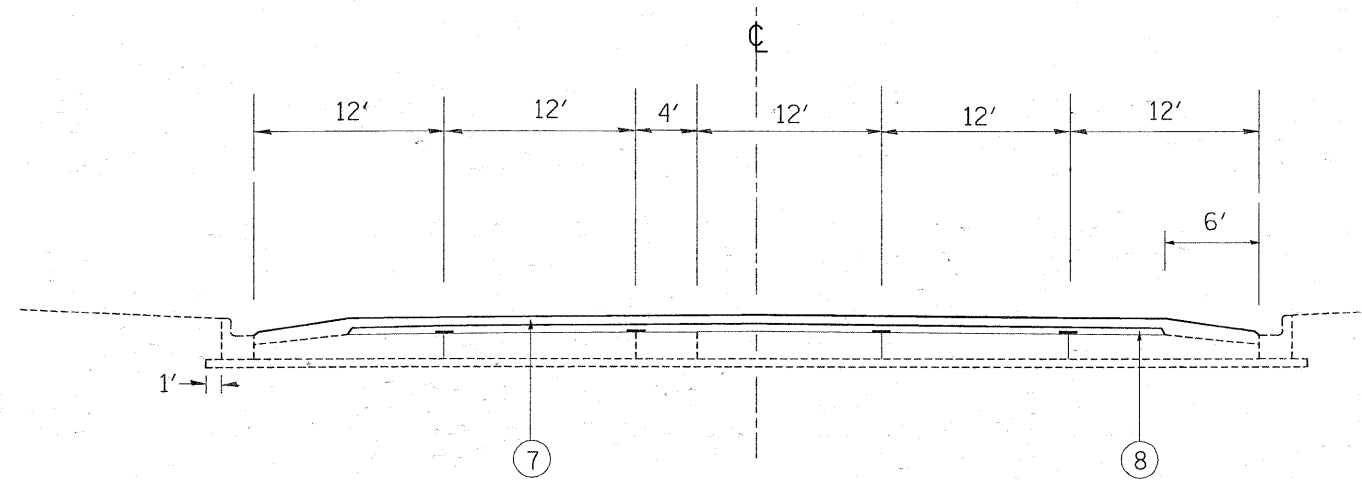


EXIST. TYPICAL SECTION  
LEFT TURN LANE

- LEGEND**
- ① EXISTING CONCRETE PAVEMENT 10"
  - ② EXISTING SUB-BASE GRANULAR MATERIAL, TYPE A (6")
  - ③ EXISTING TYPE C-4 MEDIAN
  - ④ EXISTING P.C. CONCRETE CURB AND GUTTER TYPE B-V.18
  - ⑤ PCC MEDIAN REMOVAL, ±2", MILL FLUSH WITH ADJACENT PAVEMENT
  - ⑥ PROPOSED PCC SURFACE REMOVAL (VARIABLE DEPTH)
  - ⑦ PROPOSED HMA. SURFACE COURSE, MIX."D" N70, 1 1/2"
  - ⑧ PROPOSED POLY. LEVELING BINDER (MM), IL-4.75, N50, 1"



PROP. TYPICAL SECTION  
LEFT TURN LANE

FILE NAME =	USER NAME = paraynoal	DESIGNED -	REVISED -	<b>STATE OF ILLINOIS DEPARTMENT OF TRANSPORTATION</b>	TYPICAL SECTIONS JOE ORR ROAD (FROM ASHLAND AVE. TO IL 1 HALSTED)			F.A.U. RTE. 1631	SECTION (0404&0505.2)RS-B	COUNTY COOK	TOTAL SHEETS 23	SHEET NO. 5
est\pwork\PWIDOT\PARAYNOAL\d0136686\0134999-shit-plandgn	PLOT SCALE = 50,0000 ' / IN.	DRAWN -	REVISED -		SCALE:	SHEET NO.	OF	SHEETS	STA.	TO STA.	CONTRACT NO. 60808	
	PLOT DATE = 4/22/2009	CHECKED -	REVISED -								ILLINOIS FED. AID PROJECT	
		DATE -	REVISED -									