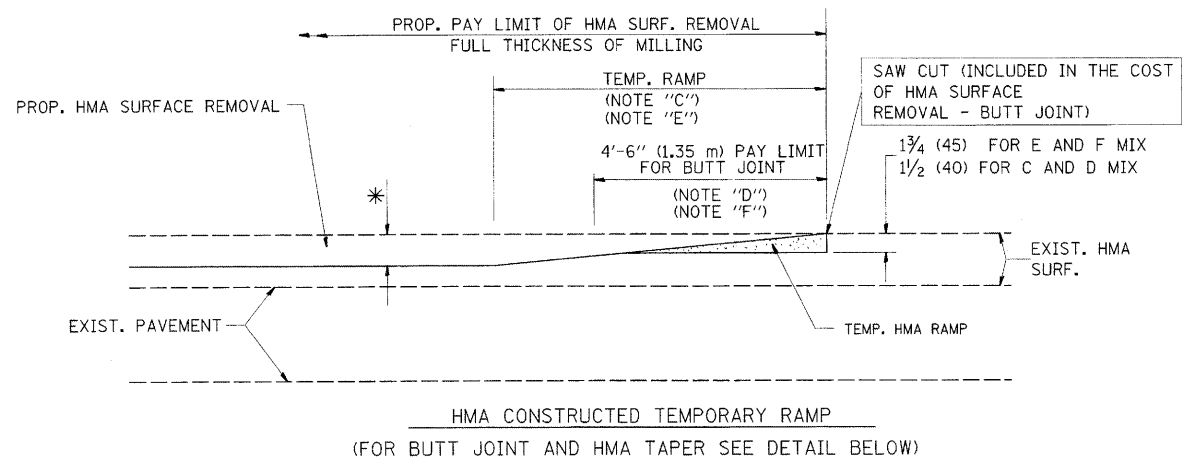
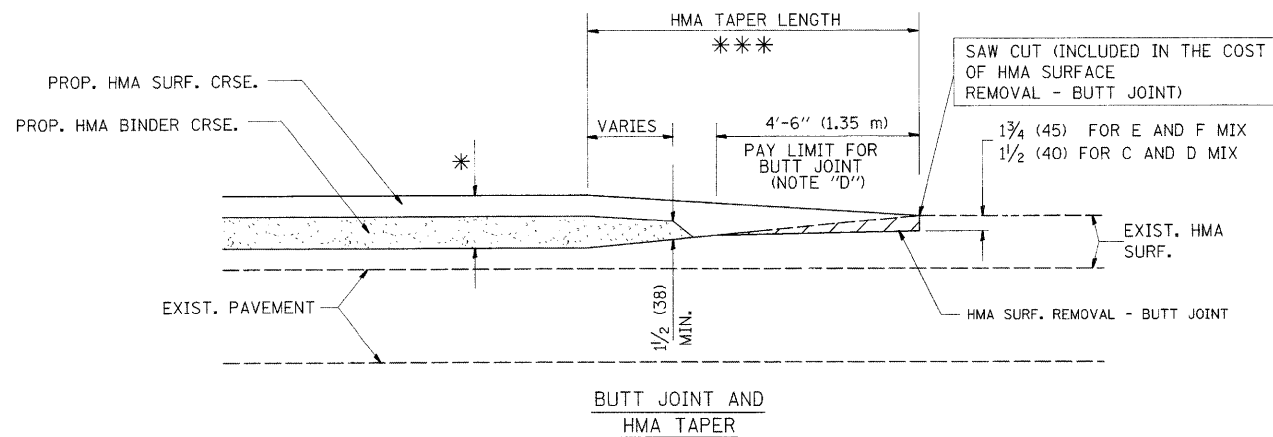


OPTION 1

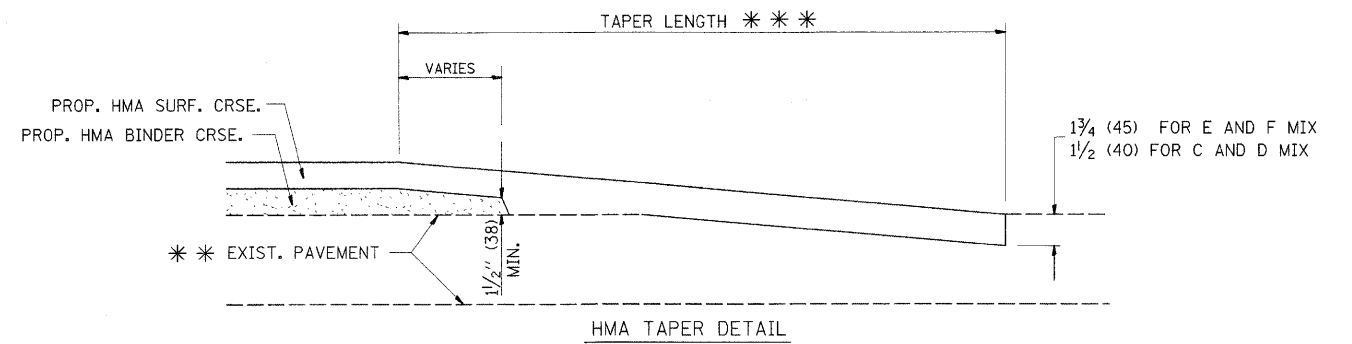
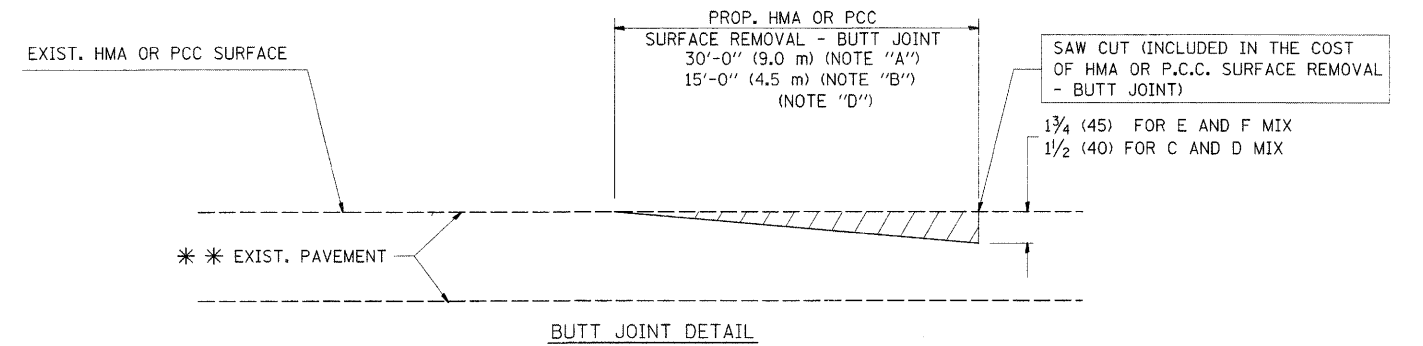


OPTION 2

TYPICAL TEMPORARY RAMP



TYPICAL BUTT JOINT AND HMA TAPER FOR MILLING AND RESURFACING



TYPICAL BUTT JOINT AND HMA TAPER FOR RESURFACING ONLY

*** PC CONCRETE, HMA OR HMA RESURFACED PAVEMENT.

NOTES

- A: MAINLINE ROADWAYS AND MAJOR SIDE ROADS.
 - B: MINOR SIDE ROADS.
 - C: THE TEMP. RAMP SHALL BE CONSTRUCTED IMMEDIATELY UPON REMOVAL OF THE EXISTING HMA SURFACE.
 - D: THE BUTT JOINT SHALL BE CONSTRUCTED IMMEDIATELY PRIOR TO PLACING THE PROPOSED HMA COURSES.
 - E: TAPER THE TEMP. RAMP AT A RATE OF 3'-0" (900 mm) PER 1 INCH (25 mm) OF MILLING THICKNESS.
 - F: INSTALLATION AND REMOVAL OF THE 4'-6" (1.35 m) TEMP. RAMP IS INCLUDED IN COST OF HMA SURFACE REMOVAL - BUTT JOINT
 - G: SEE ARTICLE 406.08 AND 406.14 OF THE STANDARD SPECIFICATIONS FOR "HMA AND/OR PCC SURFACE REMOVAL, BUTT JOINT".
- * SEE TYPICAL SECTIONS FOR MILLING THICKNESS.
- *** 20'-0" (6.1 m) PER 1 (25) RESURFACING (NOTE "A")
10'-0" (3.0 m) PER 1 (25) RESURFACING (NOTE "B")

BASIS OF PAYMENT:

THE BUTT JOINT WILL BE PAID FOR AT THE CONTRACT UNIT PRICE PER SQUARE YARD (SQUARE METER) FOR "HOT-MIX ASPHALT SURFACE REMOVAL - BUTT JOINT" OR FOR "PORTLAND CEMENT CONCRETE SURFACE REMOVAL - BUTT JOINT".

ALL DIMENSIONS ARE IN INCHES (MILLIMETERS) UNLESS OTHERWISE SHOWN.

FILE NAME =	USER NAME = ulrichkd
W:\diststd\22x34\bd32.dgn	

DESIGNED - M. DE YONG	REVISD - R. SHAH 10-25-94
DRAWN -	REVISD - A. ABBAS 03-21-97
PLLOT SCALE = 50.0000 1 / IN.	REVISD - M. GOMEZ 04-06-01
PLLOT DATE = 3/18/2009	REVISD - R. BORO 01-01-07

DESIGNED - M. DE YONG	REVISD - R. SHAH 10-25-94
DRAWN -	REVISD - A. ABBAS 03-21-97
CHECKED -	REVISD - M. GOMEZ 04-06-01
DATE - 06-13-90	REVISD - R. BORO 01-01-07

DESIGNED - M. DE YONG	REVISD - R. SHAH 10-25-94
DRAWN -	REVISD - A. ABBAS 03-21-97
CHECKED -	REVISD - M. GOMEZ 04-06-01
DATE - 06-13-90	REVISD - R. BORO 01-01-07

**STATE OF ILLINOIS
DEPARTMENT OF TRANSPORTATION**

BUTT JOINT AND HMA TAPER DETAILS

SCALE: NONE SHEET NO. 1 OF 1 SHEETS STA. TO STA.

F.A.F. RTE.	SECTION	COUNTY	TOTAL SHEETS	SHEET NO.
54	11-R-3	LAKE	25	16
BD400-05 BD32			CONTRACT NO. 5085	
FED. ROAD DIST. NO. 1 ILLINOIS FED. AID PROJECT				