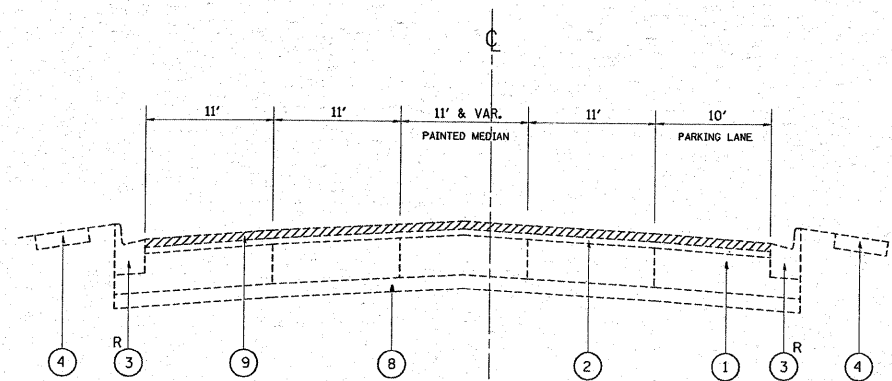


EXISTING TYPICAL CROSS SECTION  
STA. 14+12 TO 17+46

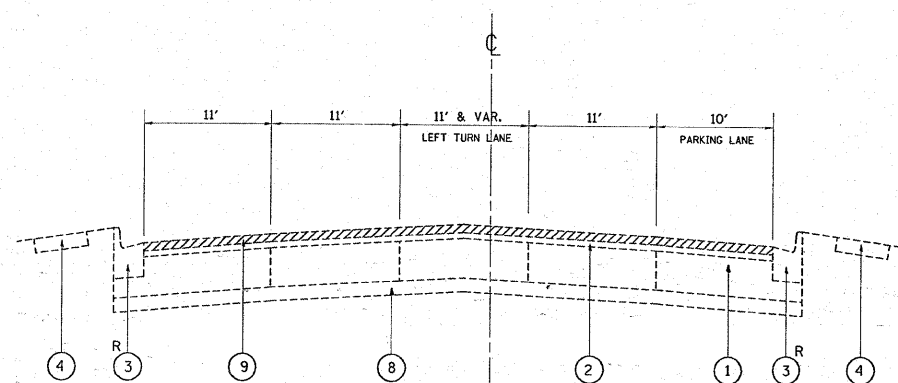


EXISTING TYPICAL CROSS SECTION  
STA. 17+46 TO 23+74  
STA. 24+69 TO 29+32  
STA. 30+11 TO 31+74

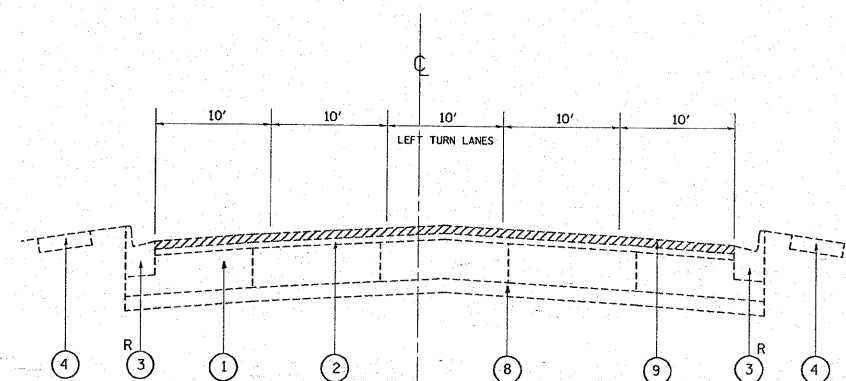
**LEGEND:**

- ① EXIST. P.C.C. PAVEMENT, ±10"
- ② EXIST. HOT-MIX ASPHALT SURFACE, ±3"
- ③ EXIST. COMB. CONC. CURB AND GUTTER, TYPE B-6.12
- ④ EXIST. P.C.C. SIDEWALK
- ⑤ EXIST. P.C.C. SHOULDER, 10'
- ⑥ EXIST. CORRUGATED MEDIAN
- ⑦ EXIST. BARRIER MEDIAN
- ⑧ EXIST. STABILIZED SUB-BASE
- ⑨ PROP. HOT-MIX ASPHALT SURFACE REMOVAL, 2 1/4"
- ⑩ PROP. POLYMERIZED LEVELING BINDER (MACHINE METHOD), SUPERPAVE, IL-4.75, N50, 3/4"
- ⑪ PROP. HOT-MIX ASPHALT SURFACE COURSE, MIX "D", N70, 1 1/2"

R CURB AND GUTTER REMOVAL AND REPLACEMENT  
(LOCATION AS DIRECTED BY THE ENGINEER)



EXISTING TYPICAL CROSS SECTION  
STA. 23+74 TO 24+69  
STA. 29+32 TO 29+67  
STA. 31+74 TO 32+79



EXISTING TYPICAL CROSS SECTION  
STA. 32+79 TO 35+69  
STA. 57+46 TO 62+39  
STA. 84+67 TO 88+32  
STA. 136+79 TO 142+47  
STA. 191+69 TO 193+50

FILE NAME =	USER NAME = sseedpa	DESIGNED -	REVISED -
ca:\pw_work\pwidot\stedpa\0100515\0137386-shr-plan.dgn		DRAWN -	REVISED -
		CHECKED -	REVISED -
		DATE -	REVISED -

**STATE OF ILLINOIS  
DEPARTMENT OF TRANSPORTATION**

EXISTING AND PROPOSED TYPICAL SECTIONS			
MONTROSE AVE.--FOREST PRESERVE RD. TO PULASKI RD.			
SCALE:	SHEET NO. OF SHEETS	STA. TO STA.	

F.A.U. RTE.	SECTION	COUNTY	TOTAL SHEETS	SHEET NO.
1366	0101RS-5	COOK	34	4
CONTRACT NO. 60B60				
FED. ROAD DIST. NO. 1   ILLINOIS FED. AID PROJECT				