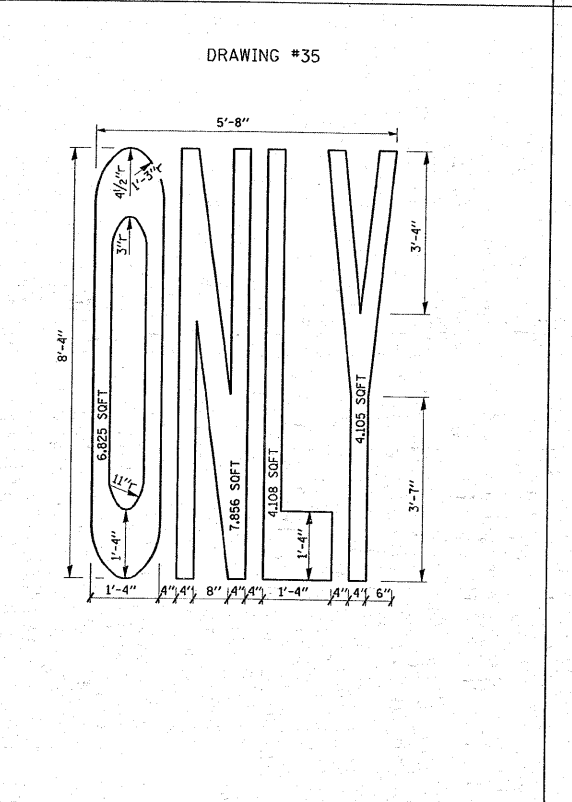
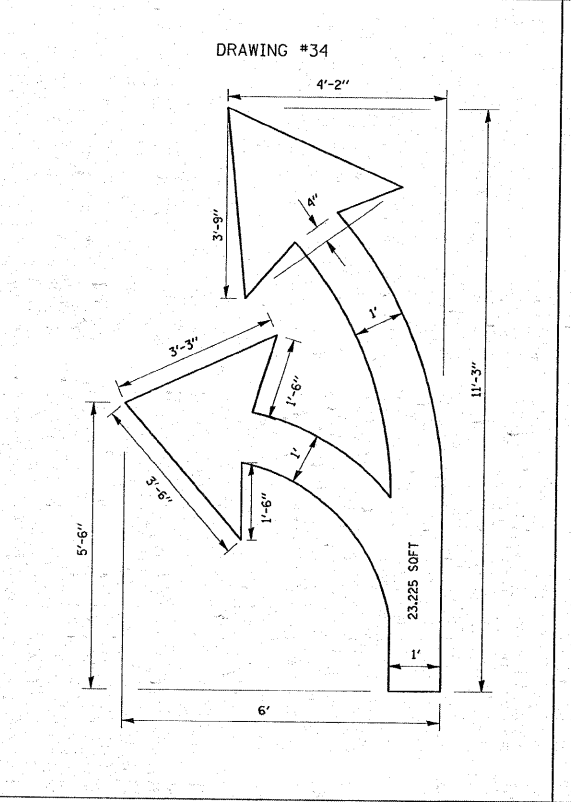
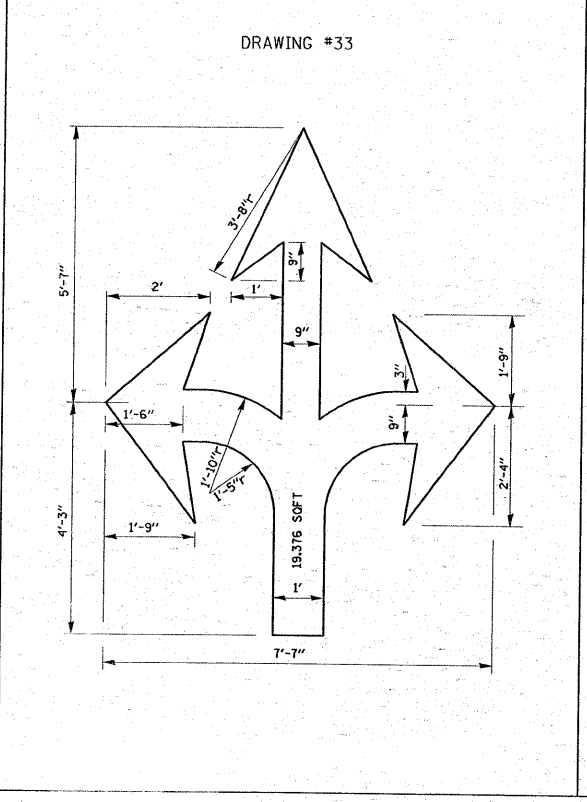
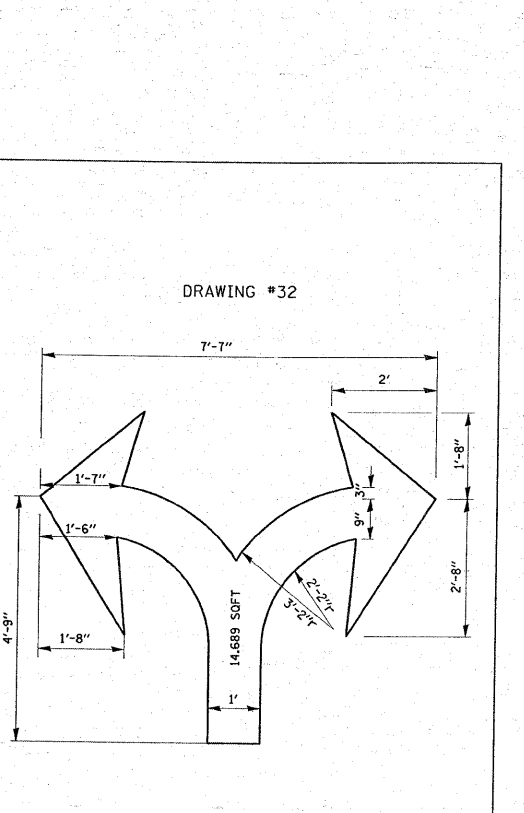
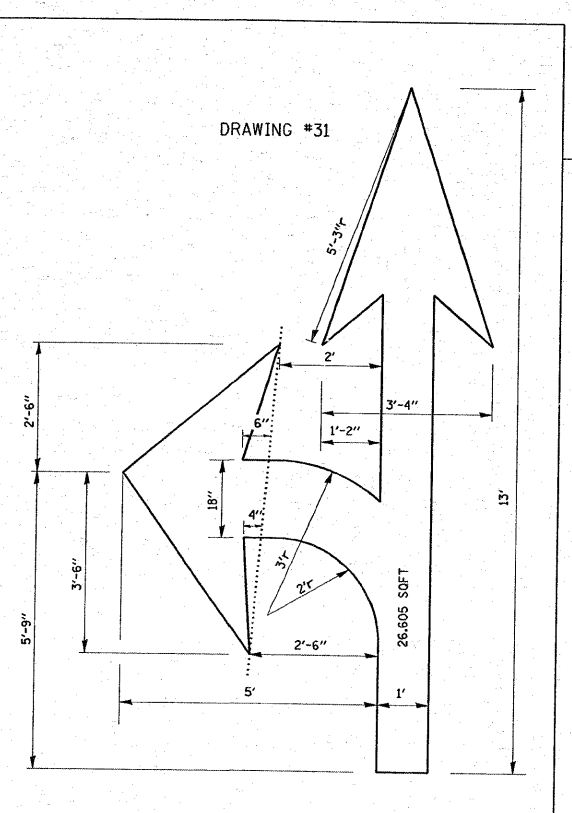
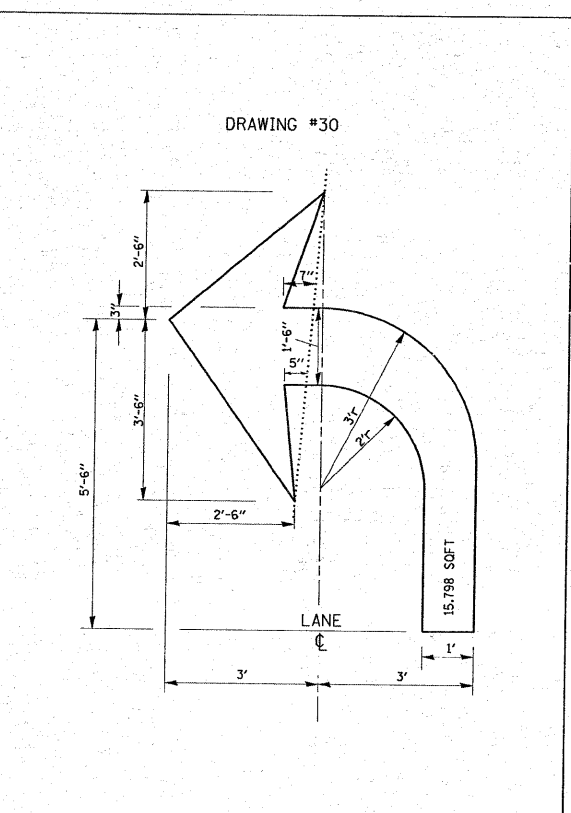
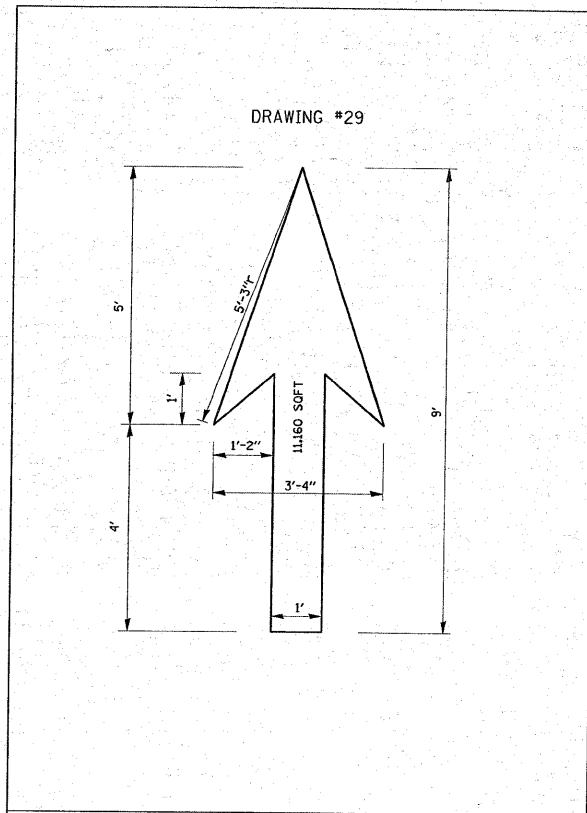


NOTE:
 1.) FOR BIKE LANE SYMBOLS ONLY, USE PRE-FORMED THERMOPLASTIC WITH A MINIMUM THICKNESS OF 90 MILS, MINIMUM SKID RESISTANCE VALUE OF 60 BPN, & A MINIMUM INDEX OF REFRACTION OF 1.50.
 2.) THE RESIDENT ENGINEER SHALL CONTACT MR. BEN GOMBERG AT 312-744-8093 AT LEAST ONE CALENDAR WEEK PRIOR TO INSTALLING BIKE LANE SYMBOLS.

TYPICAL BIKE LANE SYMBOLS
 DRAWING #28



NOTE:
 ALL MARKINGS SHALL BE SOLID WHITE UNLESS OTHERWISE NOTED IN THE PLANS

FILE NAME =	USER NAME = steedpa	DESIGNED -	REVISED - T. RAMMACHER 12-07-00
cr:\pw_work\pwidot\steedpa\d0100515\0137306-shr\plan.dgn		DRAWN -	REVISED -
	PLOT SCALE = 50.0000 / IN.	CHECKED -	REVISED -
	PLOT DATE = 3/25/2009	DATE -	REVISED -

STATE OF ILLINOIS
 DEPARTMENT OF TRANSPORTATION

CITY OF CHICAGO
 TYPICAL PAVEMENT MARKINGS

SCALE: NONE SHEET NO. 2 OF 2 SHEETS STA. TO STA.

F.A.U. RTE.	SECTION	COUNTY	TOTAL SHEETS	SHEET NO.
1366	0101RS-5	COOK	34	25
TC-24		CONTRACT NO. 60B60		
FED. ROAD DIST. NO. 1 ILLINOIS FED. AID PROJECT				