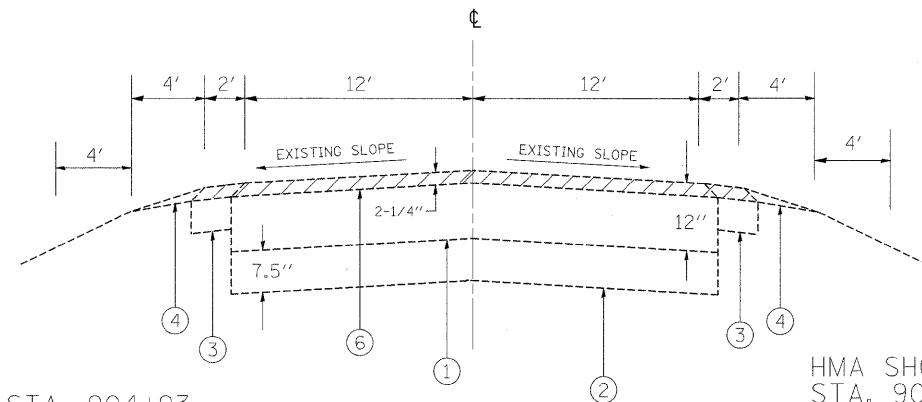


IL 53 (FAIRVIEW AVE)



HMA SHOULDER:
STA. 900+77 - STA. 904+93
AGGREGATE SHOULDER:
STA. 904+93 - STA. 911+20

HMA SHOULDER:
STA. 903+62 - STA. 903+94
AGGREGATE SHOULDER:
STA. 904+94 - STA. 911+20

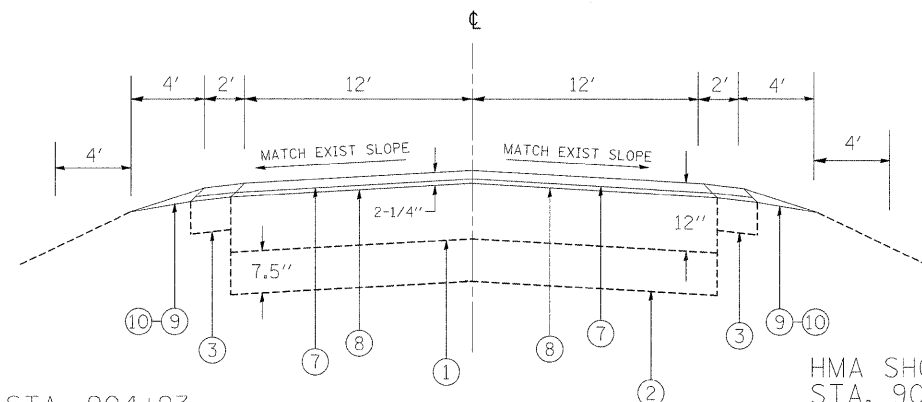
EXISTING TYPICAL SECTION
STA. 904+34 TO STA. 911+20

LEGEND

- 1 EXISTING HMA, 12"
- 2 EXISTING PCC, 7.5"
- 3 EXISTING HMA SHOULDER
- 4 EXISTING AGGREGATE SHOULDER
- 5 EXISTING COMBINATION CONCRETE CURB AND GUTTER
- 6 PROPOSED HMA SURFACE REMOVAL, 2 1/4"
- 7 PROPOSED HMA SURFACE COURSE, MIX "D", N70, 1 1/2"
- 8 PROPOSED POLYMERIZED LEVELING BINDER (mm), IL-4.75, N50, 3/4"
- 9 PROPOSED AGGREGATE WEDGE SHOULDER, TYPE B
- 10 PROPOSED GRADING & SHAPING SHOULDERS
- 11 PROPOSED CURB & GUTTER REMOVAL & REPLACEMENT

* TO BE DETERMINE BY THE ENGINEER IN THE FIELD.
NOTE:
"THE CONTRACTOR SHALL MILL FIRST PRIOR TO PATCHING".

IL 53 (FAIRVIEW AVE)



HMA SHOULDER:
STA. 900+77 - STA. 904+93
AGGREGATE SHOULDER:
STA. 904+93 - STA. 911+20

HMA SHOULDER:
STA. 903+62 - STA. 903+94
AGGREGATE SHOULDER:
STA. 904+94 - STA. 911+20

PROPOSED TYPICAL SECTION
STA. 904+34 TO STA. 911+20

FILE NAME =	USER NAME = galbannb	DESIGNED -	REVISED -	STATE OF ILLINOIS DEPARTMENT OF TRANSPORTATION	IL. RTE. 53 (MADISON STREET TO BRYANT AVENUE) EXISTING AND PROPOSED TYPICAL SECTIONS	F.A.P. RTE.	SECTION	COUNTY	TOTAL SHEETS	SHEET NO.	
ct:\pw_work\PWIDOT\CALBANNB\d0107599\sh...	dky.dgn	DRAWN -	REVISED -			870	533-X-RS-5	DUPAGE	25	6	
	PLOT SCALE = 50,0000 ' / IN.	CHECKED -	REVISED -			SCALE:			SHEET NO. OF SHEETS STA. TO STA.		
	PLOT DATE = 3/30/2009	DATE -	REVISED -			FED. ROAD DIST. NO. ILLINOIS FED. AID PROJECT CONTRACT NO. 60E71					