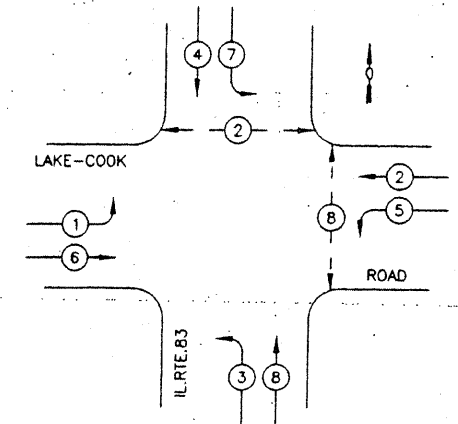


SECTION	COUNTY	TOTAL SHEETS	SHEET NO.
344 44RS-1	LAKE	25	12
STATION		TO STA.	
FED. ROAD DIST NO. 7		ILLINOIS	
FED. AID PROJECT			

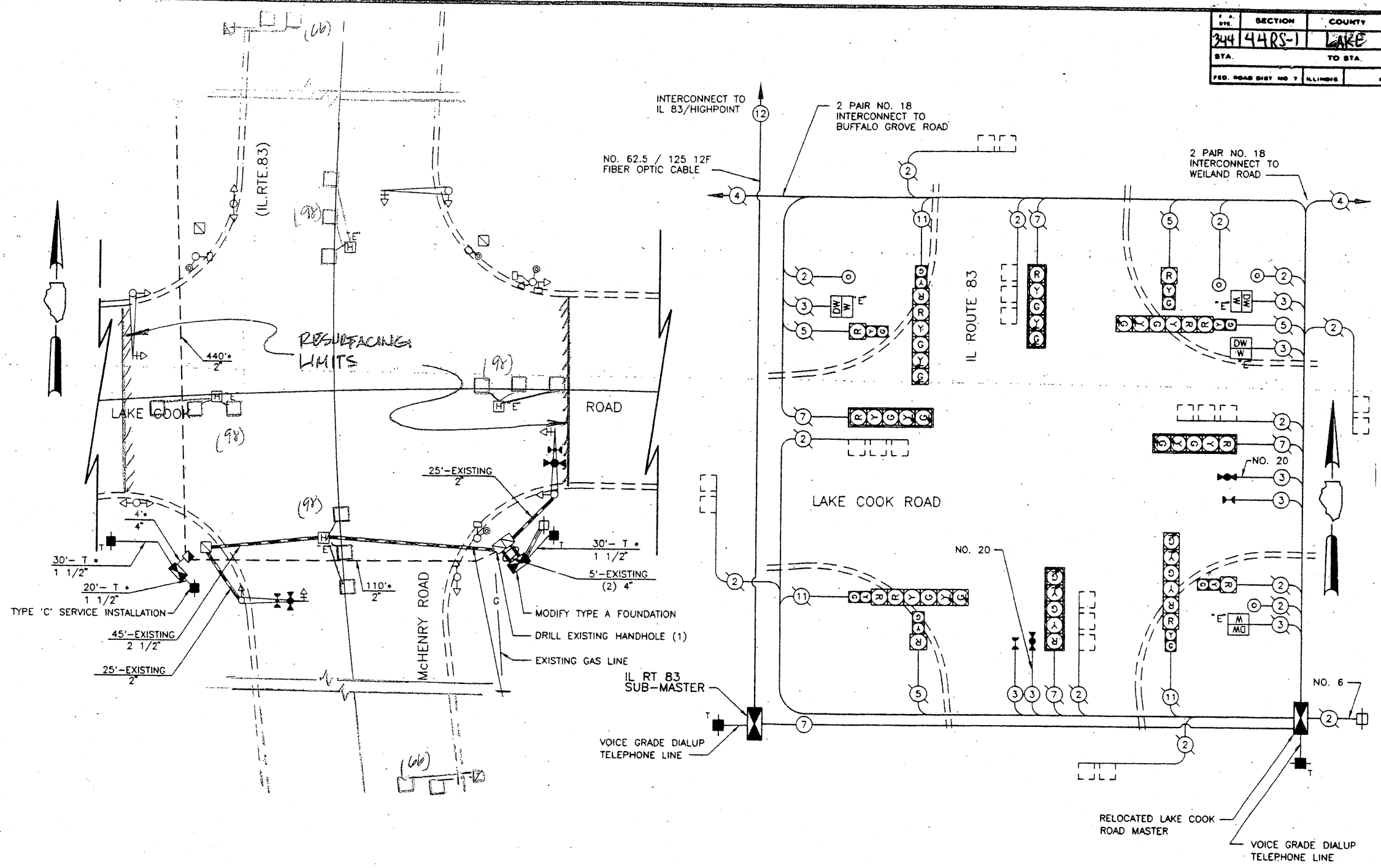
**CONTROLLER SEQUENCE IV**

REFERRING TO STANDARD 2393, THE VEHICULAR AND PEDESTRIAN PHASES USED ARE DESIGNATED BELOW.



**LEGEND**

- ⊕ → DUAL ENTRY PHASE
  - ⊕ → PEDESTRIAN MOVEMENT
  - NUMBER REFERS TO ASSOCIATED PHASE
- EXISTING PHASE DESIGNATION DIAGRAM**
- ⊕ → DUAL ENTRY - ALL LEGS
  - ⊕ → PROTECTED/PERMITTED LEFT TURN PHASING



**NOTE:**  
 THIS PLAN IS FOR THE PURPOSE OF REPLACING THE DETECTOR LOOPS ONLY. ALL OTHER INFORMATION SHOWN IS NOT RELATED AND WILL BE DISREGARDED.

**REPLACE ALL DETECTOR LOOPS AS SHOWN**  
 (WITHIN THE RESURFACING LIMITS)

CODE NO.	QUANTITY	UNIT	ITEM
86500600	524	Foot	Detector Loop Replacement

REVISIONS	
NAME	DATE

ILLINOIS DEPARTMENT OF TRANSPORTATION  
**DETECTOR LOOP REPLACEMENT**

ILL. ROUTE 83 @ LAKE-COOK ROAD

SCALE: NONE  
 DATE: MAR. 2009

DRAWN BY: JHE  
 DESIGNED BY: JHE  
 CHECKED BY: DAD