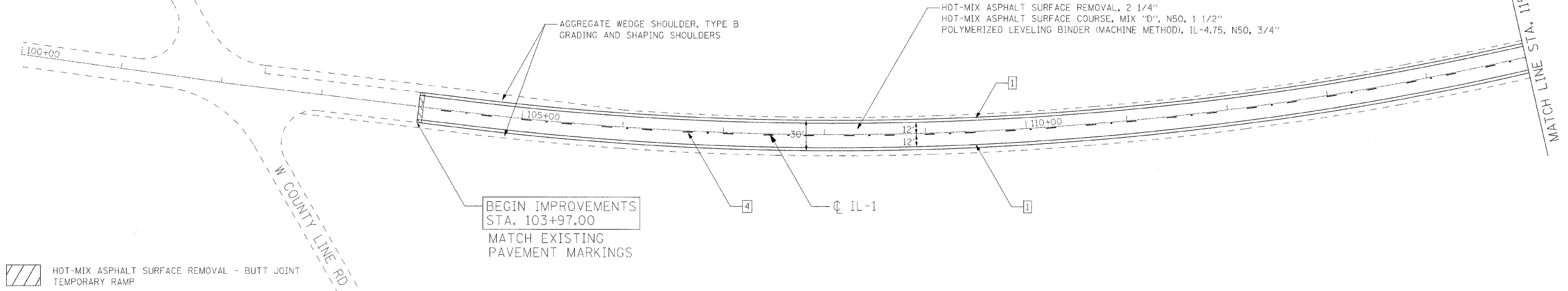
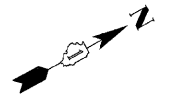


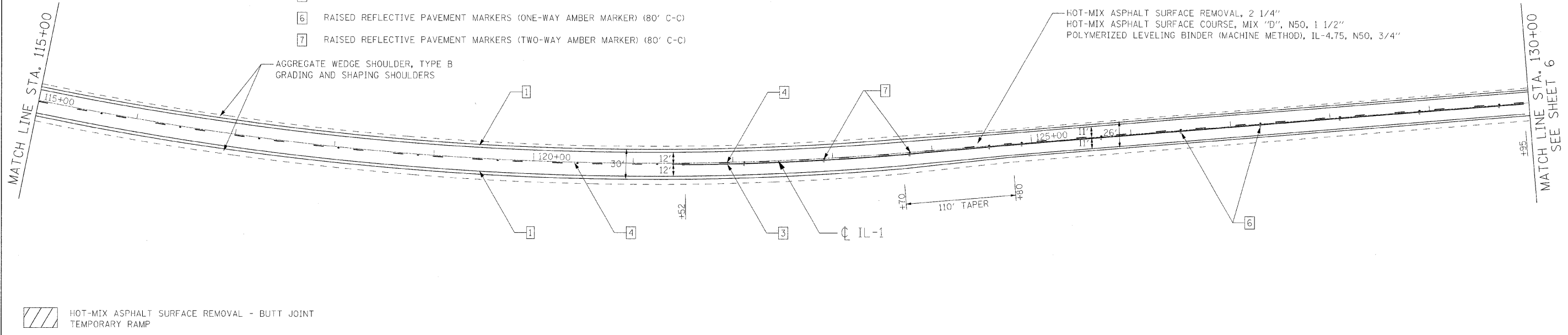
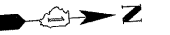
LEGEND:

- 1 THERMOPLASTIC PAVEMENT MARKING - LINE 4" (WHITE EDGE LINE)
- 2 THERMOPLASTIC PAVEMENT MARKING - LINE 4" (DOUBLE YELLOW SOLID LINE 11" C-C)
- 3 THERMOPLASTIC PAVEMENT MARKING - LINE 4" (YELLOW SOLID LINE)
- 4 THERMOPLASTIC PAVEMENT MARKING - LINE 4" (YELLOW LANE LINE - 10' DASH, 30' SKIP) WITH RAISED REFLECTIVE PAVEMENT MARKERS (ONE TWO-WAY AMBER MARKER) (80' C-C)
- 5 THERMOPLASTIC PAVEMENT MARKING - LINE 24" (WHITE SOLID LINE)
- 6 RAISED REFLECTIVE PAVEMENT MARKERS (ONE-WAY AMBER MARKER) (80' C-C)
- 7 RAISED REFLECTIVE PAVEMENT MARKERS (TWO-WAY AMBER MARKER) (80' C-C)



LEGEND:

- 1 THERMOPLASTIC PAVEMENT MARKING - LINE 4" (WHITE EDGE LINE)
- 2 THERMOPLASTIC PAVEMENT MARKING - LINE 4" (DOUBLE YELLOW SOLID LINE 11" C-C)
- 3 THERMOPLASTIC PAVEMENT MARKING - LINE 4" (YELLOW SOLID LINE)
- 4 THERMOPLASTIC PAVEMENT MARKING - LINE 4" (YELLOW LANE LINE - 10' DASH, 30' SKIP) WITH RAISED REFLECTIVE PAVEMENT MARKERS (ONE TWO-WAY AMBER MARKER) (80' C-C)
- 5 THERMOPLASTIC PAVEMENT MARKING - LINE 24" (WHITE SOLID LINE)
- 6 RAISED REFLECTIVE PAVEMENT MARKERS (ONE-WAY AMBER MARKER) (80' C-C)
- 7 RAISED REFLECTIVE PAVEMENT MARKERS (TWO-WAY AMBER MARKER) (80' C-C)



FILE NAME = n:\prow\3385\3385.dgn

Ciorba Group, Inc.
 CONSULTING ENGINEERS
 5507 North Cumberland Avenue, Suite 402
 Chicago, Illinois 60656
 Tel. 773.775.4009 Fax 773.775.4014

USER NAME = mready	DESIGNED - RJR	REVISED -
PLOT SCALE = 50.0000' / IN.	DRAWN - RJR	REVISED -
PLOT DATE = 3/30/2009	CHECKED - MJL	REVISED -
	DATE - 3/31/2009	REVISED -

**STATE OF ILLINOIS
 DEPARTMENT OF TRANSPORTATION**

**IL-1
 PASADENA AVE TO KANKAKEE COUNTY LINE
 PROPOSED ROADWAY AND PAVEMENT MARKING PLAN**

F.A.P. RTE.	SECTION	COUNTY	TOTAL SHEETS	SHEET NO.
332	8 Y-RS-4	WILL	16	5
CONTRACT NO. 60G35			FED. ROAD DIST. NO. 1 ILLINOIS FED. AID PROJECT	

SCALE: SHEET NO. 5 OF 16 SHEETS STA. 100+00 TO STA. 130+00