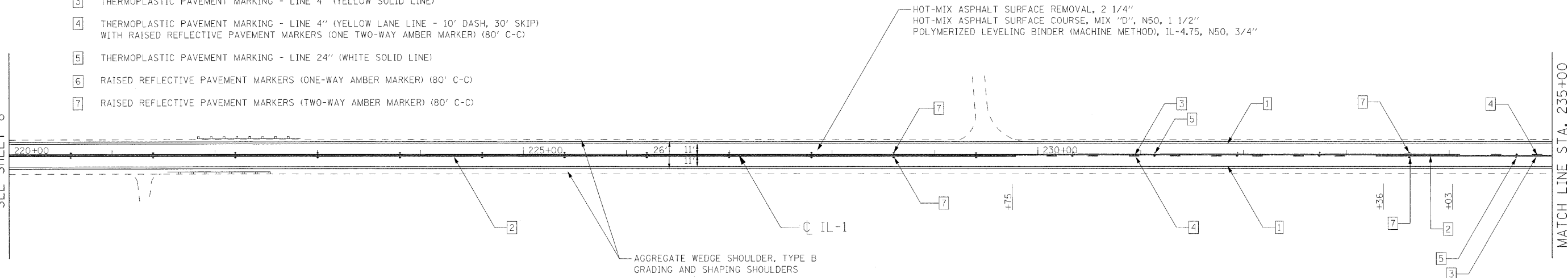


LEGEND:

- 1 THERMOPLASTIC PAVEMENT MARKING - LINE 4" (WHITE EDGE LINE)
- 2 THERMOPLASTIC PAVEMENT MARKING - LINE 4" (DOUBLE YELLOW SOLID LINE 11" C-C)
- 3 THERMOPLASTIC PAVEMENT MARKING - LINE 4" (YELLOW SOLID LINE)
- 4 THERMOPLASTIC PAVEMENT MARKING - LINE 4" (YELLOW LANE LINE - 10' DASH, 30' SKIP) WITH RAISED REFLECTIVE PAVEMENT MARKERS (ONE TWO-WAY AMBER MARKER) (80' C-C)
- 5 THERMOPLASTIC PAVEMENT MARKING - LINE 24" (WHITE SOLID LINE)
- 6 RAISED REFLECTIVE PAVEMENT MARKERS (ONE-WAY AMBER MARKER) (80' C-C)
- 7 RAISED REFLECTIVE PAVEMENT MARKERS (TWO-WAY AMBER MARKER) (80' C-C)

MATCH LINE STA. 220+00
SEE SHEET 8



MATCH LINE STA. 235+00

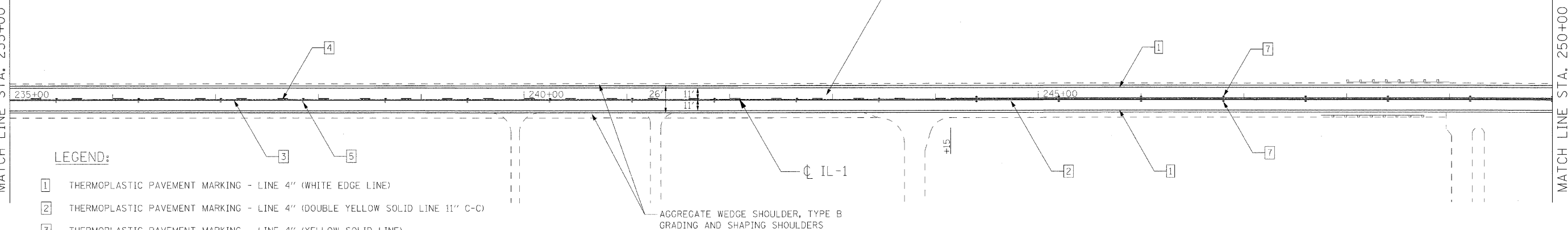
HOT-MIX ASPHALT SURFACE REMOVAL - BUTT JOINT
TEMPORARY RAMP

MATCH LINE STA. 235+00
SEE SHEET 8

LEGEND:

- 1 THERMOPLASTIC PAVEMENT MARKING - LINE 4" (WHITE EDGE LINE)
- 2 THERMOPLASTIC PAVEMENT MARKING - LINE 4" (DOUBLE YELLOW SOLID LINE 11" C-C)
- 3 THERMOPLASTIC PAVEMENT MARKING - LINE 4" (YELLOW SOLID LINE)
- 4 THERMOPLASTIC PAVEMENT MARKING - LINE 4" (YELLOW LANE LINE - 10' DASH, 30' SKIP) WITH RAISED REFLECTIVE PAVEMENT MARKERS (ONE TWO-WAY AMBER MARKER) (80' C-C)
- 5 THERMOPLASTIC PAVEMENT MARKING - LINE 24" (WHITE SOLID LINE)
- 6 RAISED REFLECTIVE PAVEMENT MARKERS (ONE-WAY AMBER MARKER) (80' C-C)
- 7 RAISED REFLECTIVE PAVEMENT MARKERS (TWO-WAY AMBER MARKER) (80' C-C)

HOT-MIX ASPHALT SURFACE REMOVAL, 2 1/4"
HOT-MIX ASPHALT SURFACE COURSE, MIX 'D', N50, 1 1/2"
POLYMERIZED LEVELING BINDER (MACHINE METHOD), IL-4.75, N50, 3/4"



MATCH LINE STA. 250+00
SEE SHEET 10

HOT-MIX ASPHALT SURFACE REMOVAL - BUTT JOINT
TEMPORARY RAMP

FILE NAME = m:\proj\3366\3366.dwg

Ciorba Group, Inc.
CONSULTING ENGINEERS
5507 North Cumberland Avenue, Suite 402
Chicago, Illinois 60656
Tel. 773.775.4009 Fax 773.775.4014

USER NAME = mready	DESIGNED - RJR	REVISED -
PLOT SCALE = 50.0000' / IN.	DRAWN - RJR	REVISED -
PLOT DATE = 3/30/2009	CHECKED - MJL	REVISED -
	DATE - 3/31/2009	REVISED -

**STATE OF ILLINOIS
DEPARTMENT OF TRANSPORTATION**

**IL-1
PASADENA AVE TO KANKAKEE COUNTY LINE
PROPOSED ROADWAY AND PAVEMENT MARKING PLAN**

F.A.P. RTE.	SECTION	COUNTY	TOTAL SHEETS	SHEET NO.
332	8 Y-RS-4	WILL	16	9
FED. ROAD DIST. NO. 1 ILLINOIS FED. AID PROJECT			CONTRACT NO. 60G35	

SCALE: SHEET NO. 9 OF 16 SHEETS STA. 220+00 TO STA. 250+00