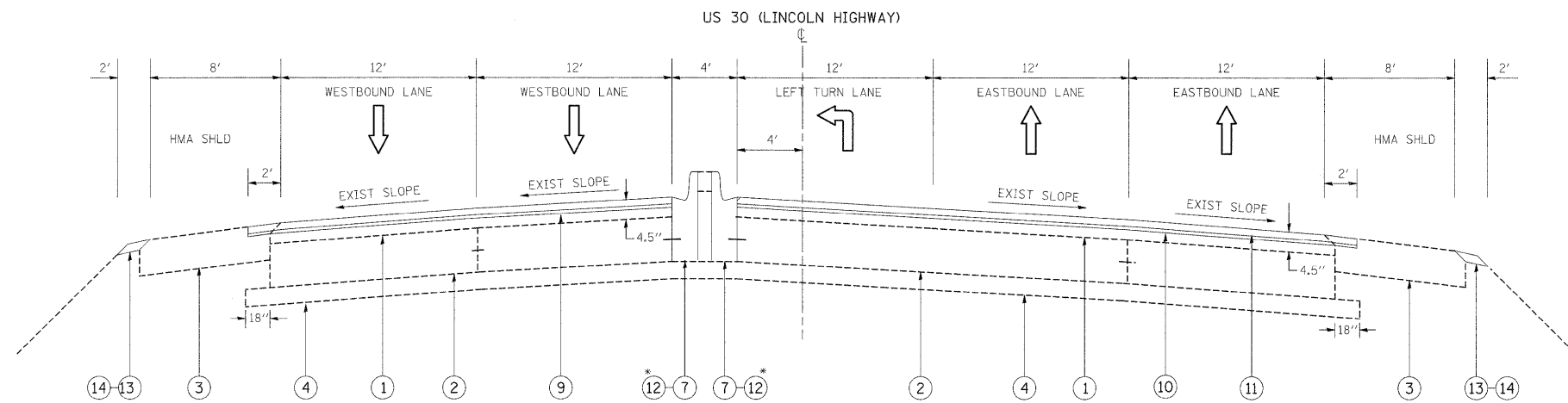


EXISTING TYPICAL SECTION  
 US 30 (LINCOLN HIGHWAY) INTERSECTIONS  
 @ US 30 & COX AVE. FACING EAST  
 @ US 30 & RIDGELAND AVE. FACING EAST  
 @ US 30 & WILLOW RO. FACING EAST  
 @ US 30 & CENTRAL AVE. FACING EAST



PROPOSED TYPICAL SECTION  
 US 30 (LINCOLN HIGHWAY) INTERSECTIONS  
 @ US 30 & COX AVE. FACING EAST  
 @ US 30 & RIDGELAND AVE. FACING EAST  
 @ US 30 & WILLOW RO. FACING EAST  
 @ US 30 & CENTRAL AVE. FACING EAST

**LEGEND**

- ① EXISTING HMA SURFACING, 4-1/2"(±)
- ② EXISTING CONCRETE BASE COURSE, 10"
- ③ EXISTING HMA SHOULDER, 8"
- ④ EXISTING STABILIZED SUB-BASE, 4"
- ⑤ EXISTING CONCRETE MEDIAN, 4"
- ⑥ EXISTING COMB. CONC. C & G, TYPE B-6.12
- ⑦ EXISTING COMB. CONC. C & G, TYPE B-9.12
- ⑧ EXISTING AGGREGATE SHOULDER, TYPE B
- ⑨ PROPOSED HMA SURFACE REMOVAL, 2-1/4"
- ⑩ PROPOSED POLY LEVELING BINDER (MM) IL-4.75, N50, 3/4"
- ⑪ PROP. HMA SURFACE COURSE, MIX D, N70, 1-1/2"
- ⑫ PROPOSED COMB. CONC. CURB & GUTTER REMOVAL AND REPLACEMENT
- ⑬ PROPOSED AGGREGATE WEDGE SHOULDER, TYPE B
- ⑭ PROPOSED GRADING AND SHAPING SHOULDERS

\* LOCATIONS TO BE DETERMINED IN THE FIELD BY THE ENGINEER.

CONTRACTOR SHALL MILL FIRST PRIOR TO PATCHING

FILE NAME =	USER NAME = galbannb	DESIGNED -	REVISED -	<b>STATE OF ILLINOIS DEPARTMENT OF TRANSPORTATION</b>	<b>FAP 353: US 30 (LINCOLN HIGHWAY) EXISTING AND PROPOSED TYPICAL SECTIONS</b>	F.A.P. RTE.	SECTION	COUNTY	TOTAL SHEETS	SHEET NO.	
ct:\pwwork\pwwork\galbannb\d0135918\152009-sht-plan.dgn	PLOT SCALE = 50.0000' / IN.	DRAWN -	REVISED -			353	23 RS-5	COOK	26	5	
	PLOT DATE = 4/17/2009	CHECKED -	REVISED -			CONTRACT NO. 60G64					
		DATE -	REVISED -			ILLINOIS FED. AID PROJECT					