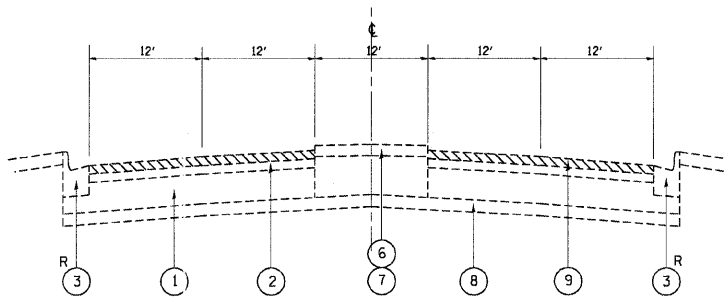
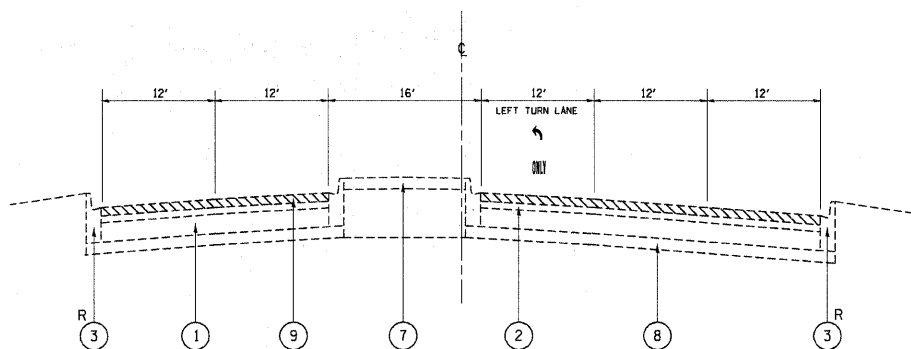


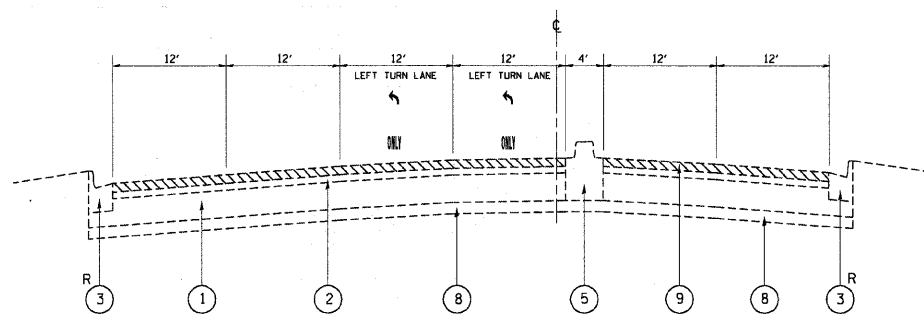
EXISTING TYPICAL CROSS SECTION  
STA. 110+59 TO 112+34



EXISTING TYPICAL CROSS SECTION  
STA. 127+36 TO 128+89



EXISTING TYPICAL CROSS SECTION  
STA. 120+60 TO 122+12



EXISTING TYPICAL CROSS SECTION  
STA. 123+06 TO 127+36

**LEGEND:**

- ① EXIST. P.C.C. PAVEMENT, ±10"
- ② EXIST. HOT-MIX ASPHALT SURFACE, ±3"
- ③ EXIST. COMB. CONC. CURB AND GUTTER, TYPE B-6.12
- ④ EXIST. P.C.C. SIDEWALK
- ⑤ EXIST. BARRIER MEDIAN
- ⑥ EXIST. CORRUGATED MEDIAN
- ⑦ EXIST. LANDSCAPE MEDIAN
- ⑧ EXIST. STABILIZED SUB-BASE
- ⑨ PROP. HOT-MIX ASPHALT SURFACE REMOVAL, 2 1/2"
- ⑩ PROP. POLYMERIZED LEVELING BINDER (MACHINE METHOD), SUPERPAVE, IL-4.75, N50, 3/4"
- ⑪ PROP. POLYMERIZED HOT-MIX ASPHALT SURFACE COURSE, MIX "F", N90, 1 3/4"

R CURB AND GUTTER REMOVAL AND REPLACEMENT  
(LOCATION AS DIRECTED BY THE ENGINEER)

FILE NAME =	USER NAME = lcu30	DESIGNED -	REVISED -
C:\p\work\PIWIDOT\STEEDPA\0137220\0152209-aht-plendgn		DRAWN -	REVISED -
		CHECKED -	REVISED -
		DATE -	REVISED -
	PLOT SCALE = 49,9999 1/ IN.		
	PLOT DATE = 4/24/2009		

**STATE OF ILLINOIS  
DEPARTMENT OF TRANSPORTATION**

EXISTING TYPICAL SECTIONS			
US 52 (JEFFERSON ST.)--JOYCE RD. TO EDEN LN.			
SCALE:	SHEET NO.	OF SHEETS	STA. TO STA.

F.A.P. RTE.	SECTION	COUNTY	TOTAL SHEETS	SHEET NO.
607	128 RS-5	WILL	29	5
FED. ROAD DIST. NO. 1 ILLINOIS FED. AID PROJECT			CONTRACT NO. 60G66	