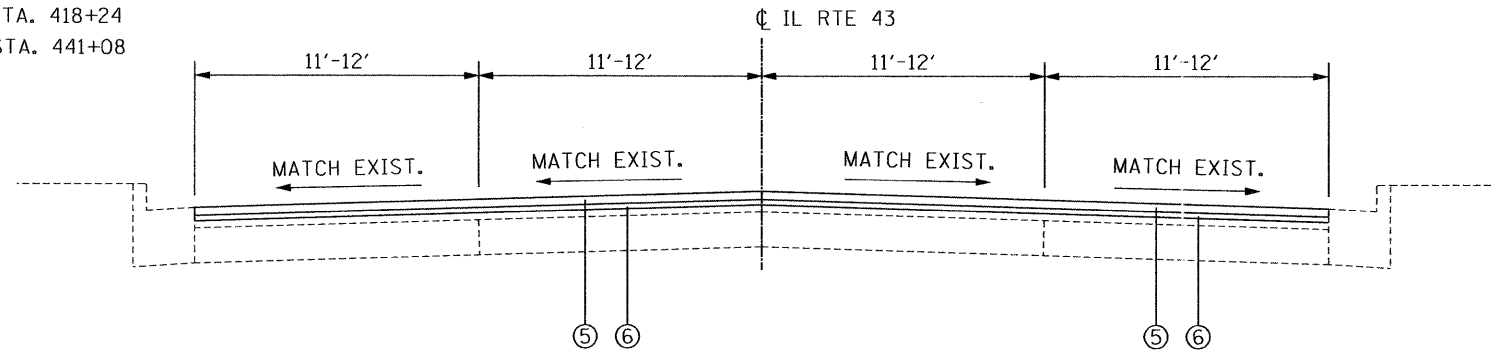


EXISTING TYPICAL SECTION

IL ROUTE 43 (WAUKEGAN RD)

(*)



PROPOSED TYPICAL SECTION

IL ROUTE 43 (WAUKEGAN RD)

(*)

LEGEND

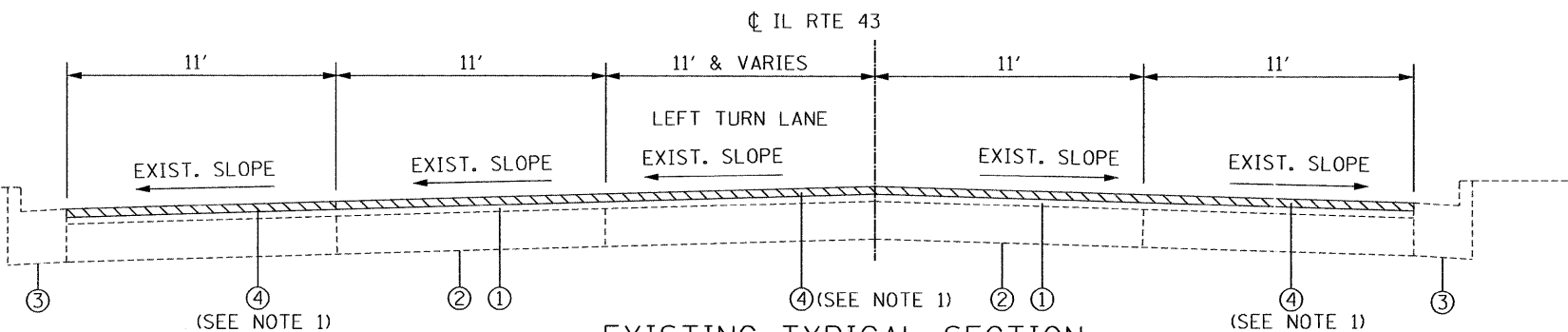
- ① EXISTING +/-4" HMA SURFACE
- ② EXISTING +/-10" P.C.C. BASE
- ③ EXISTING B-6.24 CURB AND GUTTER
- ④ HMA SURFACE REMOVAL - 2 1/2" (SEE NOTE 1)
- ⑤ POLYMERIZED HOT-MIX ASPHALT SURFACE COURSE, MIX "F", N90 (IL-9.5MM) -1 3/4"
- ⑥ POLYMERIZED LEVELING BINDER (MACHINE METHOD), IL-4.75, N50 -3/4"

NOTES

1. THE CONTRACTOR SHALL PERFORM THE PAVEMENT PATCHING OPERATIONS PRIOR TO THE HMA SURFACE REMOVAL OPERATION. SEE IDOT DISTRICT 1 DETAIL PAVEMENT PATCHING FOR HMA SURFACED PAVEMENT BD-400-04 (BD-22) FOR ADDITIONAL INFORMATION.

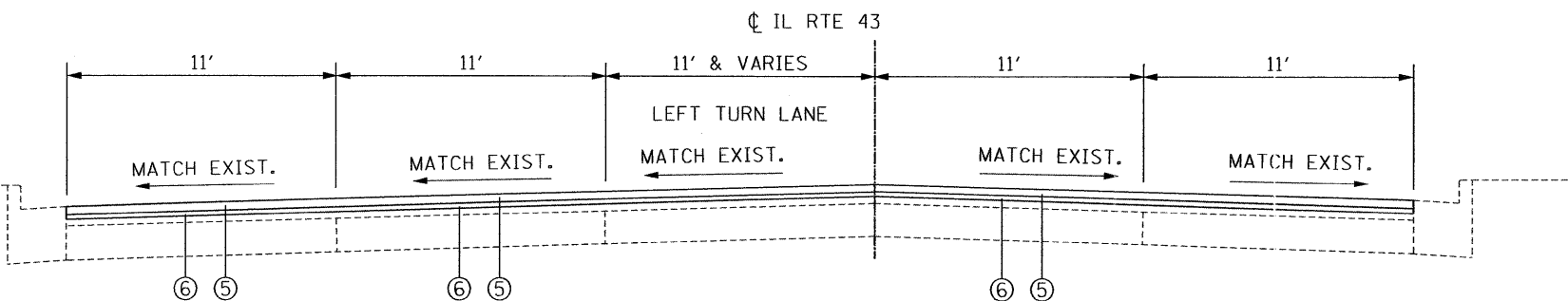
OMISSIONS

- STA. 230+11 TO STA. 244+28
- STA. 250+19 TO STA. 339+95
- STA. 420+65 TO STA. 420+85



EXISTING TYPICAL SECTION

IL ROUTE 43 (WAUKEGAN RD)
STA. 178+00 TO STA. 202+40



PROPOSED TYPICAL SECTION

IL ROUTE 43 (WAUKEGAN RD)
STA. 178+00 TO STA. 202+40

HMA MIXTURES REQUIREMENT		
MIXTURE USES	AC TYPE	VOIDS
POLYMERIZED HOT-MIX ASPHALT SURFACE COURSE, MIX "F", N90 (IL-9.5mm)	SBS/SBR PG 70-22	4% @ 90 GYR.
POLYMERIZED LEVELING BINDER (MACHINE METHOD), IL-4.75, N50	SBS/SBR PG 76-28/-22	4% @ 50 GYR.
CLASS D PATCHES (HMA BINDER IL-19 MM)	PG 64-22 (SEE NOTE 2)	4% @ 70 GYR.
HMA REPLACEMENT OVER PATCHES (HMA BINDER IL-19MM)	PG 64-22 (SEE NOTE 2)	4% @ 70 GYR.

MIXTURE NOTES:

1. THE UNIT WEIGHT USED TO CALCULATE ALL HOT-MIX ASPHALT SURFACE MIXTURES IS 112 LBS/SQ YD/IN
2. WHEN RAP EXCEEDS 20%, THE NEW ASPHALT BINDER IN THE MIX SHALL BE PG 58-22.

P:\2007\ME07080.Var\Var_Phi\Lead\MO15_IL43\Shs\041YP-sht-sht-IL43.dgn
 USER: TVN
 DATE: 4/22/2009



200 22ND Street, Suite 216, Lombard, IL 60148
 630.785.8110 voice, 630.839.2566 fax
 WWW.MPS-IL.COM
MILLENNIA PROFESSIONAL SERVICES

DESIGNED - TVN	REVISED -
DRAWN - TVN	REVISED -
CHECKED - RPD	REVISED -
DATE - 4/22/2009	REVISED -

**STATE OF ILLINOIS
DEPARTMENT OF TRANSPORTATION**

**IL ROUTE 43
IL RTE 22 (HALF DAY RD) TO ATKINSON RD**

TYPICAL SECTIONS

F.A.U. RTE. 2706	SECTION BY-RS-2	COUNTY LAKE	TOTAL SHEETS 37	SHEET NO. 4
CONTRACT NO. 60G70				
FED. ROAD DIST. NO. 1 ILLINOIS FED. AID PROJECT				

SCALE: NTS SHEET NO. OF SHEETS STA. TO STA.

P:\2007\ME07080.Var\Var_Phi\Lead\MO15_IL43\Shs\041YP-sht-sht-IL43.dgn