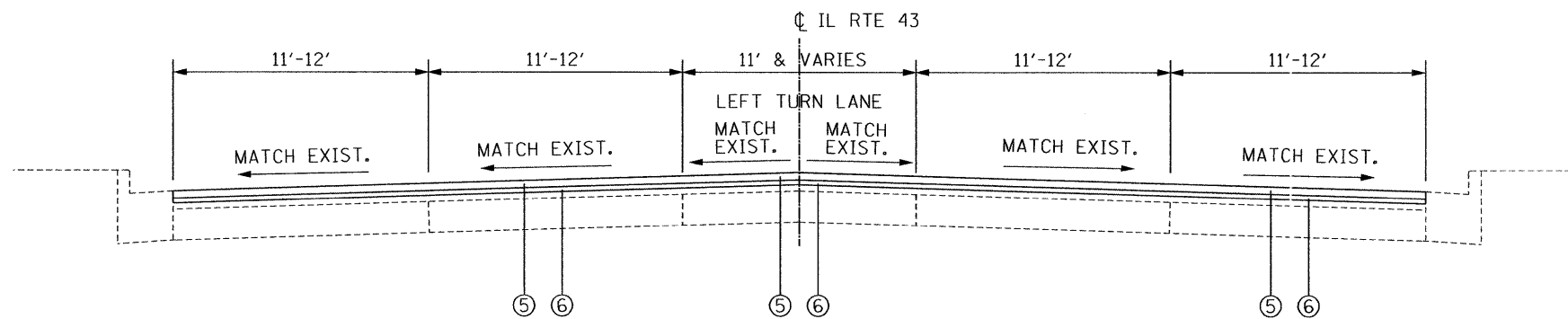


**LEGEND**

- ① EXISTING +/-4" HMA SURFACE
- ② EXISTING +/-10" P.C.C. BASE
- ③ EXISTING B-6.24 CURB AND GUTTER
- ④ HMA SURFACE REMOVAL - 2 1/2" (SEE NOTE 1)
- ⑤ POLYMERIZED HOT-MIX ASPHALT SURFACE COURSE, MIX "F", N90 (IL-9.5MM) -1 3/4"
- ⑥ POLYMERIZED LEVELING BINDER (MACHINE METHOD), IL-4.75, N50 -3/4"

**NOTES**

- 1. THE CONTRACTOR SHALL PERFORM THE PAVEMENT PATCHING OPERATIONS PRIOR TO THE HMA SURFACE REMOVAL OPERATION. SEE IDOT DISTRICT 1 DETAIL PAVEMENT PATCHING FOR HMA SURFACED PAVEMENT BD-400-04 (BD-22) FOR ADDITIONAL INFORMATION.



P:\2007\ME07080\_Var\Var\_Phil\Cadd\MOIS\_IL43\Shvs\_04TYP-sht-sht-IL43.dgn  
 USER: TVN  
 MILLENNIA ENGINEERING



200 22ND Street, Suite 216, Lombard, IL 60148  
 630.785.8110 voice, 630.839.2566 fax  
 WWW.MPS-IL.COM  
**MILLENNIA PROFESSIONAL SERVICES**

DESIGNED - TVN	REVISED -
DRAWN - TVN	REVISED -
CHECKED - RPD	REVISED -
DATE - 4/22/2009	REVISED -

**STATE OF ILLINOIS  
 DEPARTMENT OF TRANSPORTATION**

**IL ROUTE 43  
 IL RTE 22 (HALF DAY RD) TO ATKINSON RD**

**TYPICAL SECTIONS**

F.A.U. RTE. 2706	SECTION BY-RS-2	COUNTY LAKE	TOTAL SHEETS 37	SHEET NO. 5
CONTRACT NO. 60G70				
FED. ROAD DIST. NO. 1 ILLINOIS FED. AID PROJECT				

SCALE: NTS SHEET NO. OF SHEETS STA. TO STA.

P:\2007\ME07080\_Var\Var\_Phil\Cadd\MOIS\_IL43\Shvs\_04TYP-sht-sht-IL43.dgn