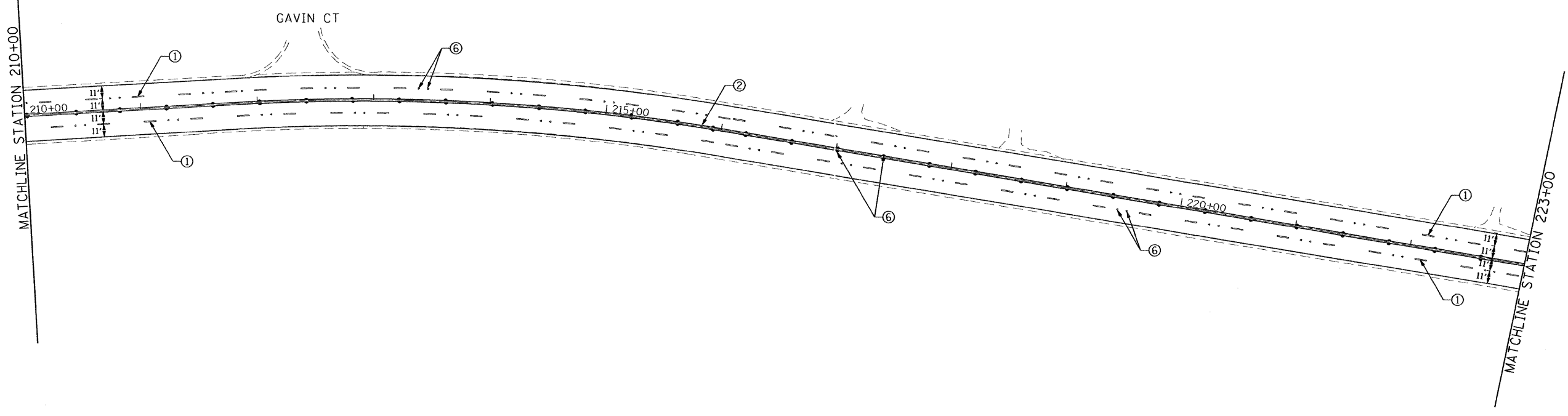
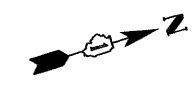
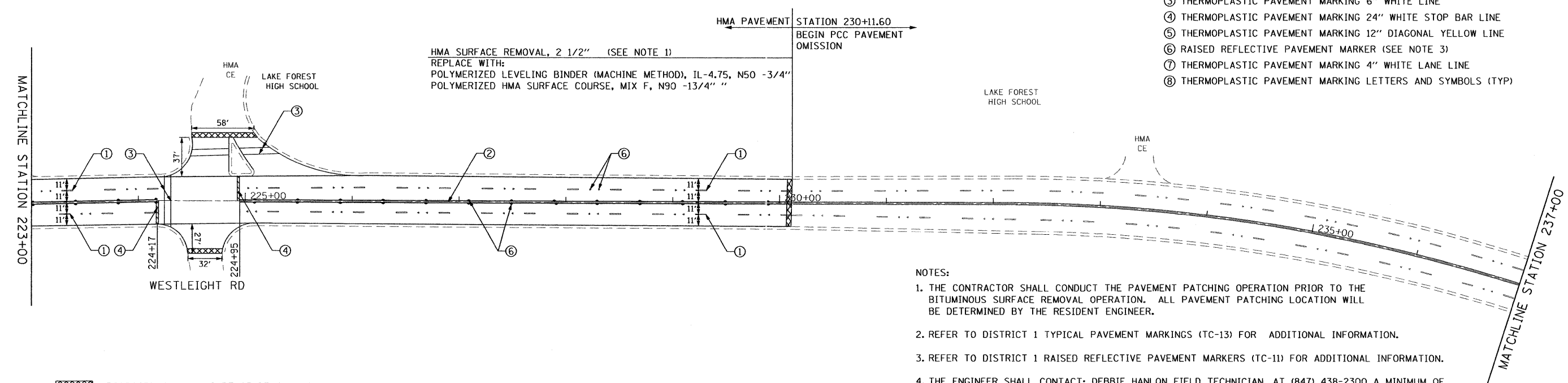


HMA SURFACE REMOVAL, 2 1/2" (SEE NOTE 1)
 REPLACE WITH:
 POLYMERIZED LEVELING BINDER (MACHINE METHOD), IL-4.75, N50 -3/4"
 POLYMERIZED HMA SURFACE COURSE, MIX F, N90 -1 3/4" "



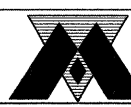
- PAVEMENT MARKING LEGEND (SEE NOTE 2)
- ① THERMOPLASTIC PAVEMENT MARKING 4" WHITE LANE LINE (30' SKIP 10' DASH)
 - ② THERMOPLASTIC PAVEMENT MARKING 4" DOUBLE YELLOW LINE, 11" C-C
 - ③ THERMOPLASTIC PAVEMENT MARKING 6" WHITE LINE
 - ④ THERMOPLASTIC PAVEMENT MARKING 24" WHITE STOP BAR LINE
 - ⑤ THERMOPLASTIC PAVEMENT MARKING 12" DIAGONAL YELLOW LINE
 - ⑥ RAISED REFLECTIVE PAVEMENT MARKER (SEE NOTE 3)
 - ⑦ THERMOPLASTIC PAVEMENT MARKING 4" WHITE LANE LINE
 - ⑧ THERMOPLASTIC PAVEMENT MARKING LETTERS AND SYMBOLS (TYP)



- NOTES:
1. THE CONTRACTOR SHALL CONDUCT THE PAVEMENT PATCHING OPERATION PRIOR TO THE BITUMINOUS SURFACE REMOVAL OPERATION. ALL PAVEMENT PATCHING LOCATION WILL BE DETERMINED BY THE RESIDENT ENGINEER.
 2. REFER TO DISTRICT 1 TYPICAL PAVEMENT MARKINGS (TC-13) FOR ADDITIONAL INFORMATION.
 3. REFER TO DISTRICT 1 RAISED REFLECTIVE PAVEMENT MARKERS (TC-11) FOR ADDITIONAL INFORMATION.
 4. THE ENGINEER SHALL CONTACT: DEBBIE HANLON FIELD TECHNICIAN, AT (847) 438-2300 A MINIMUM OF TWO (2) WEEKS PRIOR TO START OF PROJECT FOR PLACEMENT OF PERMANENT PAVEMENT MARKINGS.

PROPOSED 4.5' HMA SURFACE REMOVAL BUTT JOINT
 SEE BUTT JOINTS AND HMA TAPER DETAILS (BD32)

FILE NAME : F:\2007\ME070808_Ver-Var_Plan-Cadd\M015_IL43\Shvs\Plan-shr-IL43-05.dgn
 USER : JMM
 USER NAME : JMM



200 22ND Street, Suite 216, Lombard, IL 60148
 630.785.8110 voice, 630.839.2566 fax
 WWW.MPS-IL.COM
MILLENNIA PROFESSIONAL SERVICES

| | |
|------------------|-----------|
| DESIGNED - TVN | REVISED - |
| DRAWN - TVN | REVISED - |
| CHECKED - RPD | REVISED - |
| DATE - 4/22/2009 | REVISED - |

**STATE OF ILLINOIS
 DEPARTMENT OF TRANSPORTATION**

**IL ROUTE 43
 IL RTE 22 (HALF DAY RD) TO ATKINSON RD**

SCALE: 1"=50' SHEET NO. OF SHEETS STA. 210+00 TO STA. 237+00

| | | | | |
|--------------------|-----------------|-------------|-----------------|--------------|
| F.A.U. RTE. 2706 | SECTION BY-RS-2 | COUNTY LAKE | TOTAL SHEETS 37 | SHEET NO. 10 |
| CONTRACT NO. 60G70 | | | | |

PLN-05

FED. ROAD DIST. NO. 1 ILLINOIS FED. AID PROJECT
 F:\2007\ME070808_Ver-Var_Plan-Cadd\M015_IL43\Shvs\Plan-shr-IL43-05.dgn