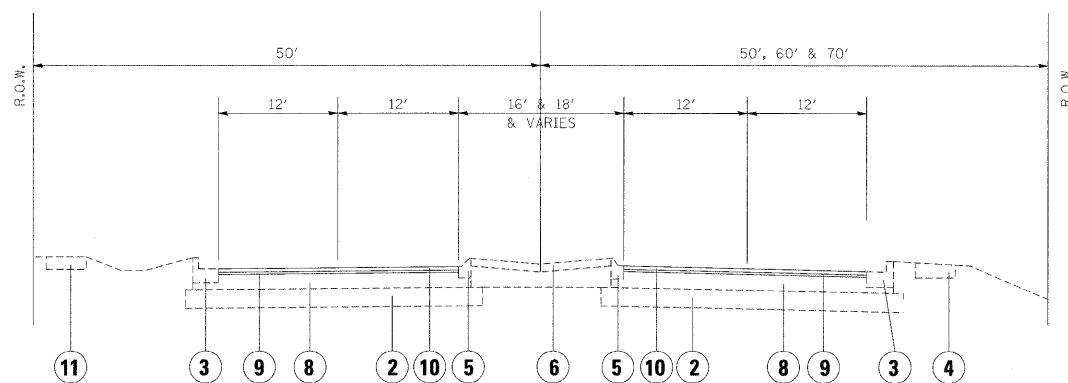


IL53/ROHLWING ROAD
EXISTING TYPICAL CROSS SECTION



IL53/ROHLWING ROAD
PROPOSED TYPICAL CROSS SECTION

LEGEND

1. EXISTING HMA CONCRETE PAVEMENT, 13 3/4"
2. EXISTING AGGREGATE SUBGRADE, 12"
3. EXISTING COMB. CONCRETE CURB & GUTTER, B-6.24
4. EXISTING P.C.C. SIDEWALK, 5"
5. EXISTING COMB. CONCRETE CURB & GUTTER, M-6.06
6. EXISTING CONCRETE MEDIAN SURFACE
7. PROPOSED HMA SURFACE REMOVAL (2 1/4 ")
8. EXISTING HMA SURFACE OVERLAY AFTER MILLING, ± 1 1/2"
9. PROPOSED POLYMERIZED LEVELING BINDER (MACHINE METHOD), IL-4.75, N50 (3/4")
10. PROPOSED HMA SURFACE COURSE, MIX "D", N70 (1 1/2 ")

HOT-MIX ASPHALT MIXTURE REQUIREMENTS		
MIXTURE TYPE	AC/PG	DESIGN AIR VOIDS
HMA SURFACE COURSE, MIX D, N70, (IL-9.5 mm)	PG 64-22	4% @ 70 GYR
POLYMERIZED LEVELING BINDER (MACHINE METHOD), IL-4.75, N50	SBS/SBR PG 76-28/-22	4% @ 50 GYR
CLASS D PATCHES (HMA BINDER IL 19 mm)	PG 64-22*	4% @ 70 GYR

NOTES

THE UNIT WEIGHT USED TO CALCULATE ALL HMA SURFACE COURSE MIXTURES IS 112 LBS/SQYD/IN.
*WHEN RAP EXCEEDS 20%, THE NEW ASPHALT BINDER IN THE MIX SHALL BE PG 58-22

NOTES

THE CONTRACTOR SHALL MILL FIRST BEFORE PATCHING

FILE NAME = c:\pw_work\PWIDOT\GUILLAUMEFP\0136683	USER NAME = guillaumefp 0152809-sht-pln.dgn	DESIGNED - DRAWN -	REVISED - REVISED -	STATE OF ILLINOIS DEPARTMENT OF TRANSPORTATION	IL RTE. 53 (US 20 (LAKE ST.) TO ARMY TRAIL ROAD) TYPICAL SECTIONS	F.A.P. RTE. 870	SECTION 533 RS-9	COUNTY	TOTAL SHEETS 20	SHEET NO. 4	
PLOT SCALE = 50.0001' / IN.		CHECKED -	REVISED -			SCALE: SHEET NO. OF SHEETS STA. TO STA.		FED. ROAD DIST. NO. 1 ILLINOIS FED. AID PROJECT			
PLOT DATE = 4/17/2009		DATE -	REVISED -					CONTRACT NO.60G72			