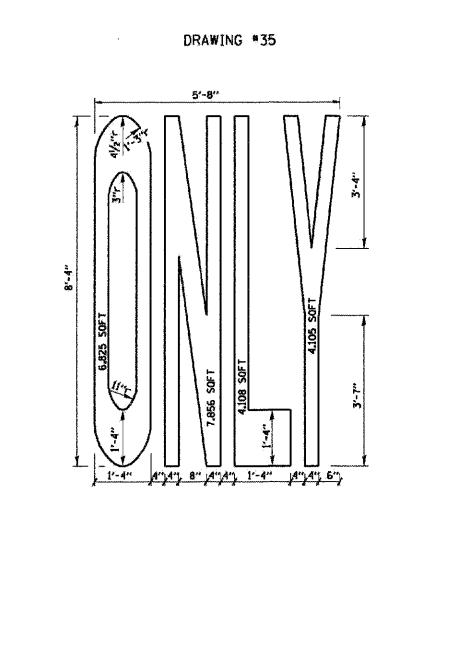
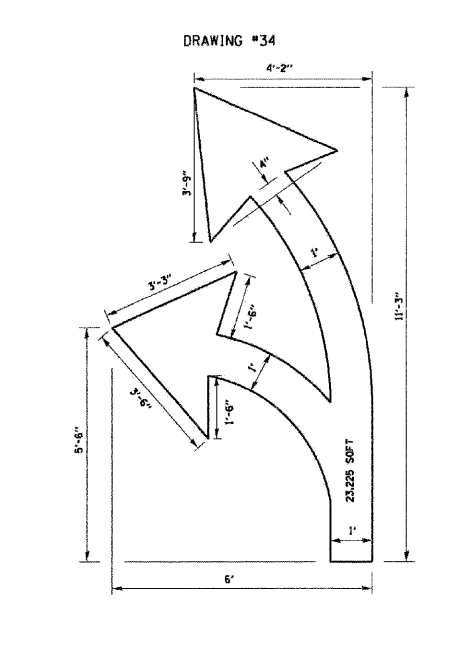
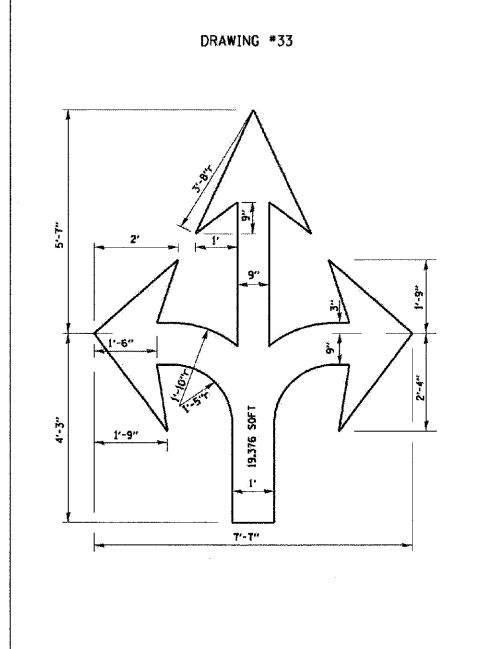
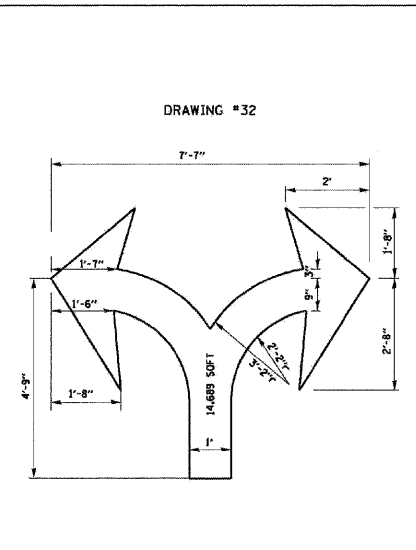
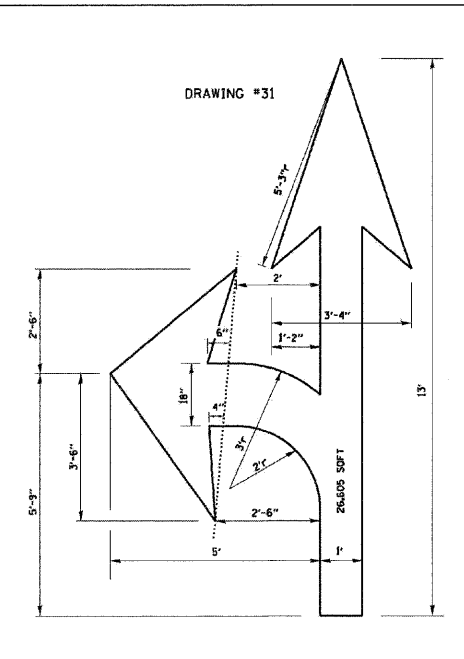
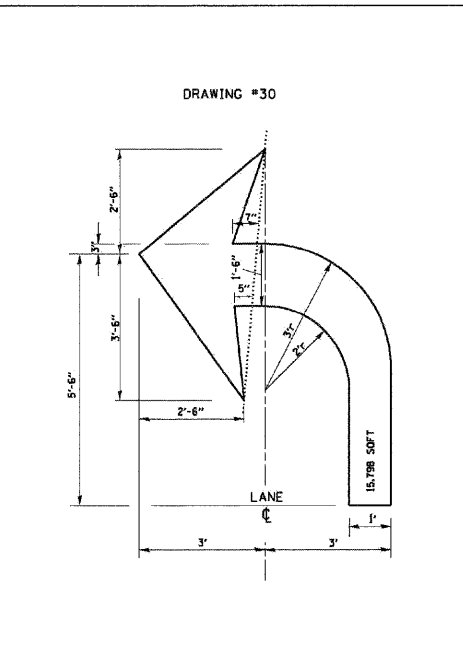
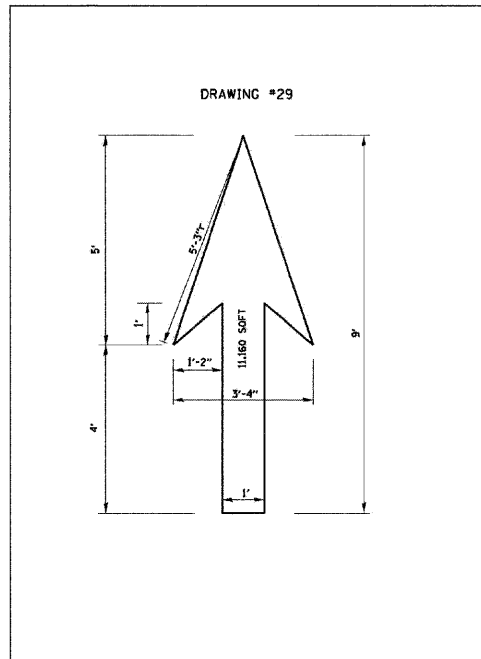


BICYCLE LANE SYMBOL
DRAWING #28

3" (TYP.)
3' 6-1/2"
R4 10-1/2"
R2 1/4"
R4 1/4"
2"
1' 3"
1' 1"
7"
6"
2' 8"
5' 9"
1' 2 1/2"
1' 10"ALL ROUNDS 1" UNLESS OTHERWISE NOTED.

NOTE:
1.) FOR BIKE LANE SYMBOLS ONLY, USE PRE-FORMED THERMOPLASTIC WITH A MINIMUM THICKNESS OF 90 MILS, MINIMUM SKID RESISTANCE VALUE OF 60 BPN, & A MINIMUM INDEX OF REFRACTION OF 1.50.
2.) THE RESIDENT ENGINEER SHALL CONTACT MR. BEN GOMBERG AT 312-744-8093 AT LEAST ONE CALENDAR WEEK PRIOR TO INSTALLING BIKE LANE SYMBOLS.



NOTE:
ALL MARKINGS SHALL BE SOLID WHITE UNLESS OTHERWISE NOTED IN THE PLANS

**CITY OF CHICAGO
TYPICAL PAVEMENT MARKINGS**

FILE NAME = ...\\0603\W018\Chicago\Details.dgn	USER NAME = Plotted by Administrator	DESIGNED -	REVISED -	STATE OF ILLINOIS DEPARTMENT OF TRANSPORTATION	DISTRICT ONE DETAIL SHEETS COLUMBUS DRIVE FROM 87TH STREET TO WESTERN AVENUE			F.A.U. RTE. 3578	SECTION 3178 RS-2	COUNTY COOK	TOTAL SHEETS 27	SHEET NO. 26
PLOT SCALE = 25.0000' / IN.	CHECKED -	REVISED -	REVISED -		SCALE: NONE	SHEET NO. 17 OF 18 SHEETS	STA. _____ TO STA. _____	CONTRACT NO. 60G82				
PLOT DATE = 4/21/2009	DATE = 4/2009	REVISED -	REVISED -		FED. ROAD DIST. NO. _____ [ILLINOIS] FED. AID PROJECT							