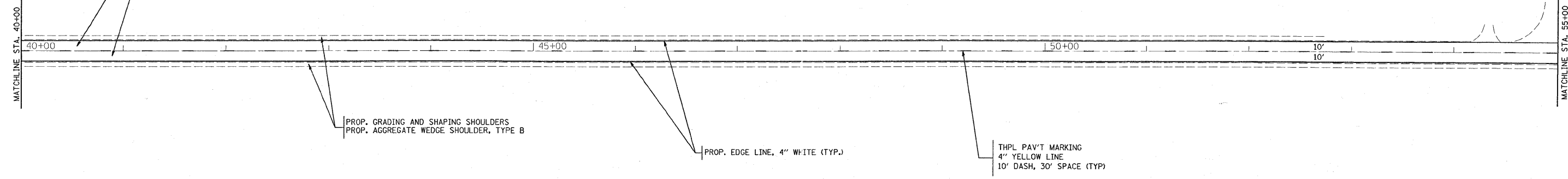
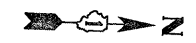
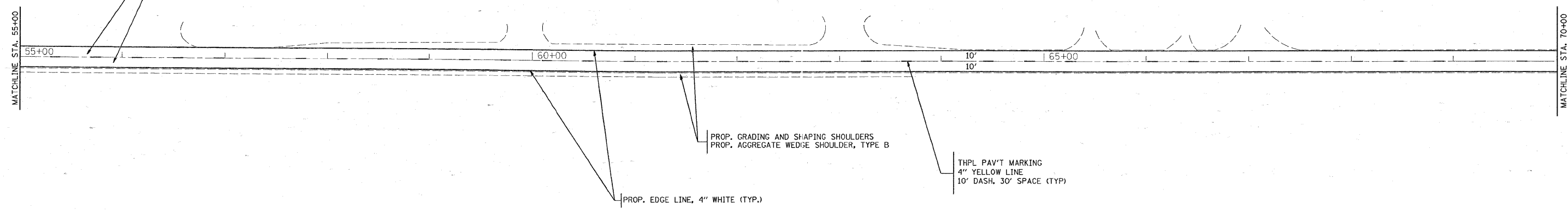


FRONTAGE RD.



FRONTAGE RD.



FILE NAME =	USER NAME = aqeelfff	DESIGNED -	REVISED -	STATE OF ILLINOIS DEPARTMENT OF TRANSPORTATION	ROADWAY AND PAVEMENT MARKING PLAN			F.A.I. RTE.	SECTION	COUNTY	TOTAL SHEETS	SHEET NO.
ca:\p\work\PIWID01\AQUEELFF\8137377\DI5509-shi-plan.dgn		DRAWN -	REVISED -		I-55 W. FRONTAGE RD. (.1 MILE S. OF BLACK RD. TO 1.3 MILES N.)			55	99-2AC-3RS-1	WILL	14	7
PLOT SCALE = 50.0000' / IN.		CHECKED -	REVISED -		SCALE: 1"=50'	SHEET NO. 2 OF 3 SHEETS	STA. 40+00 TO STA. 70+00	CONTRACT NO. 60G99				
PLOT DATE = 4/21/2009		DATE -	REVISED -		ILLINOIS FED. AID PROJECT							