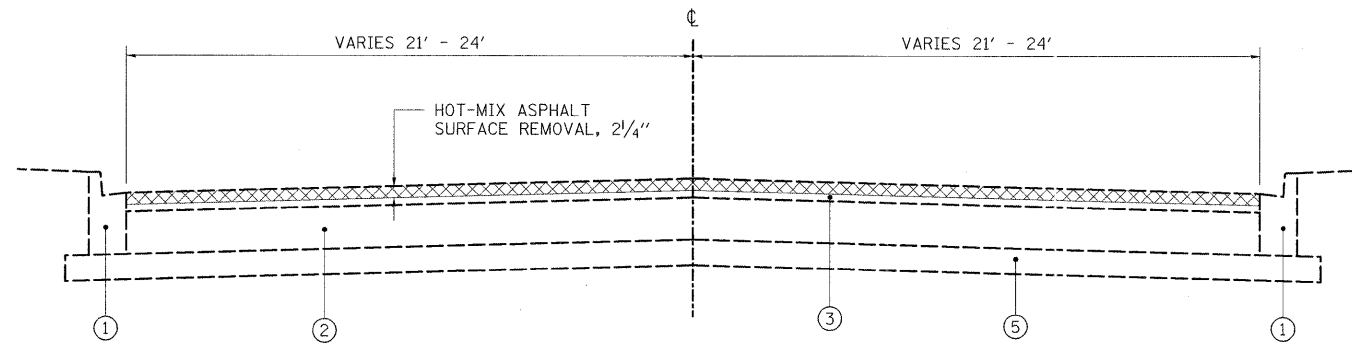


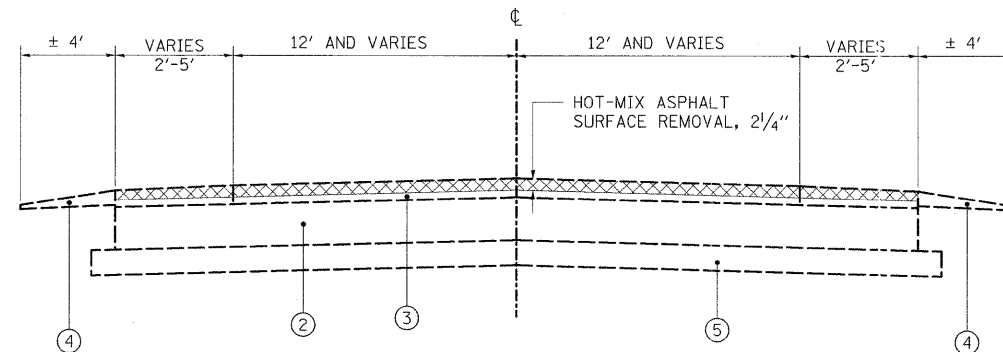
**EXISTING TYPICAL SECTION LAKE COOK ROAD**

STA. 21+00 TO STA. 36+50  
 • B-6.12 CURB AND GUTTER STA. 30+00 TO STA. 36+50



**EXISTING TYPICAL SECTION LAKE COOK ROAD**

STA. 36+50 TO STA. 82+95



**EXISTING TYPICAL SECTION LAKE COOK ROAD**

STA. 90+38 TO STA. 257+30

**LEGEND**

- ① EXISTING COMBINATION CURB AND GUTTER, TYPE B-6.12
- ② EXISTING PCC PAVEMENT, ±10"
- ③ EXISTING HOT-MIX ASPHALT PAVEMENT, ±4" (BEFORE SURFACE REMOVAL)
- ④ EXISTING AGGREGATE SHOULDER
- ⑤ EXISTING AGGREGATE BASE COURSE
- ⑥ PROPOSED POLYMERIZED LEVELING BINDER (MACHINE METHOD), IL-4.75, N50, 3/4"
- ⑦ PROPOSED HOT-MIX ASPHALT SURFACE COURSE, MIX "D", N70, 1 1/2"

PLOT DATE : 4/16/2009  
 FILE NAME : \\s1122551\lake-cook-road\cod\wheat\lakeCook\_Typical Sections.dgn  
 PLOT SCALE : 1/4" = 1'-0"  
 PLOT NAME : Existing Typical Section



Excellence through Ownership

200 West Front Street  
 Wheaton, IL 60187

DESIGNED - MAK	REVISED -
DRAWN - JMT	REVISED -
CHECKED - BLB	REVISED -
DATE - 4/16/2009 1:31:20 PM	REVISED -

STATE OF ILLINOIS  
 DEPARTMENT OF TRANSPORTATION

LAKE COOK ROAD

EXISTING TYPICAL  
 SECTIONS

F.A.P. RTE.	SECTION	COUNTY	TOTAL SHEETS	SHEET NO.
1270	0506 RS-12	LAKE	30	4
CONTRACT NO. 60H02				
FED. ROAD DIST. NO. 1 ILLINOIS FED. AID PROJECT				

SCALE: SHEET NO. 4 OF 30 SHEETS STA. TO STA.