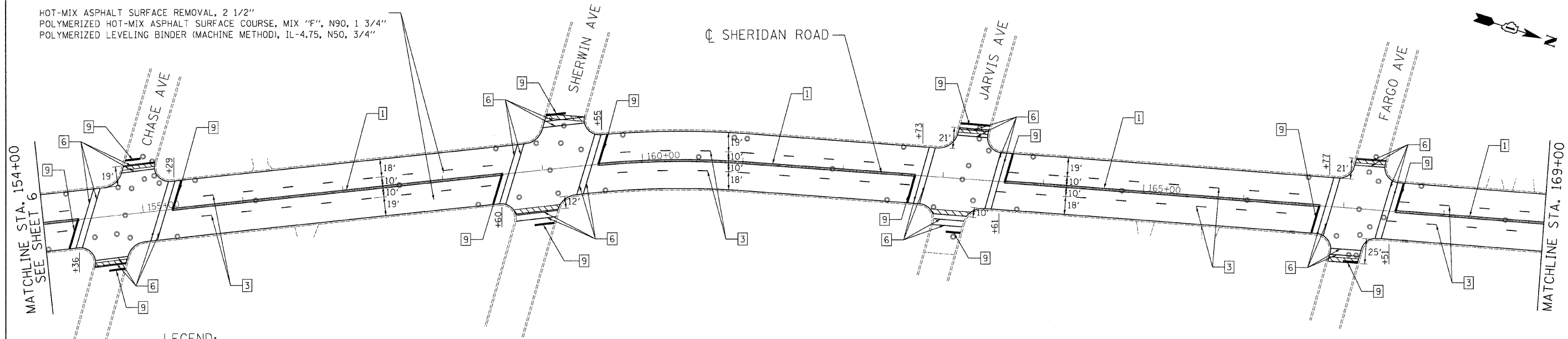


HOT-MIX ASPHALT SURFACE REMOVAL, 2 1/2"
 POLYMERIZED HOT-MIX ASPHALT SURFACE COURSE, MIX "F", N90, 1 3/4"
 POLYMERIZED LEVELING BINDER (MACHINE METHOD), IL-4.75, N50, 3/4"



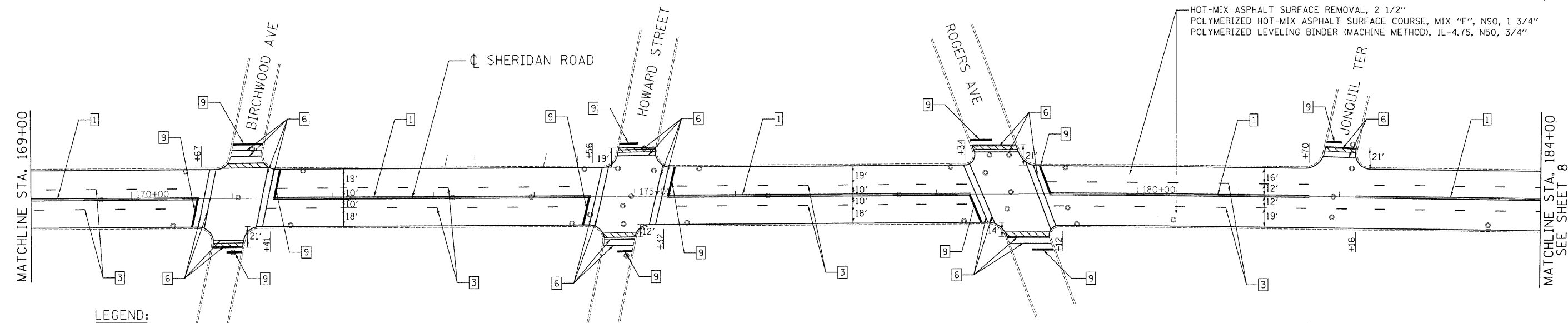
LEGEND:

- | | |
|--|---|
| 1 THERMOPLASTIC PAVEMENT MARKING - LINE 4" (DOUBLE YELLOW SOLID LINE 8" C-C) | 7 THERMOPLASTIC PAVEMENT MARKING - LINE 8" (WHITE SOLID LINE) |
| 2 THERMOPLASTIC PAVEMENT MARKING - LINE 4" (YELLOW SOLID LINE) | 8 THERMOPLASTIC PAVEMENT MARKING - LINE 8" (WHITE DIAGONAL LINE) |
| 3 THERMOPLASTIC PAVEMENT MARKING - LINE 4" (WHITE LANE LINE - 6' DASH, 18' SKIP) | 9 THERMOPLASTIC PAVEMENT MARKING - LINE 24" (WHITE STOP LINE) |
| 4 THERMOPLASTIC PAVEMENT MARKING - LINE 4" (WHITE SOLID LINE) | 10 THERMOPLASTIC PAVEMENT MARKING - LINE 12" (YELLOW DIAGONAL LINE) |
| 5 THERMOPLASTIC PAVEMENT MARKING - LINE 6" (WHITE LANE LINE - 2' DASH, 6' SKIP) | 11 THERMOPLASTIC PAVEMENT MARKING - LETTERS AND SYMBOLS (TYP.) |
| 6 THERMOPLASTIC PAVEMENT MARKING - LINE 6" (WHITE SOLID LINE) | |

HOT-MIX ASPHALT SURFACE REMOVAL - BUTT JOINT
 TEMPORARY RAMP



HOT-MIX ASPHALT SURFACE REMOVAL, 2 1/2"
 POLYMERIZED HOT-MIX ASPHALT SURFACE COURSE, MIX "F", N90, 1 3/4"
 POLYMERIZED LEVELING BINDER (MACHINE METHOD), IL-4.75, N50, 3/4"



LEGEND:

- | | |
|--|---|
| 1 THERMOPLASTIC PAVEMENT MARKING - LINE 4" (DOUBLE YELLOW SOLID LINE 8" C-C) | 7 THERMOPLASTIC PAVEMENT MARKING - LINE 8" (WHITE SOLID LINE) |
| 2 THERMOPLASTIC PAVEMENT MARKING - LINE 4" (YELLOW SOLID LINE) | 8 THERMOPLASTIC PAVEMENT MARKING - LINE 8" (WHITE DIAGONAL LINE) |
| 3 THERMOPLASTIC PAVEMENT MARKING - LINE 4" (WHITE LANE LINE - 6' DASH, 18' SKIP) | 9 THERMOPLASTIC PAVEMENT MARKING - LINE 24" (WHITE STOP LINE) |
| 4 THERMOPLASTIC PAVEMENT MARKING - LINE 4" (WHITE SOLID LINE) | 10 THERMOPLASTIC PAVEMENT MARKING - LINE 12" (YELLOW DIAGONAL LINE) |
| 5 THERMOPLASTIC PAVEMENT MARKING - LINE 6" (WHITE LANE LINE - 2' DASH, 6' SKIP) | 11 THERMOPLASTIC PAVEMENT MARKING - LETTERS AND SYMBOLS (TYP.) |
| 6 THERMOPLASTIC PAVEMENT MARKING - LINE 6" (WHITE SOLID LINE) | |

HOT-MIX ASPHALT SURFACE REMOVAL - BUTT JOINT
 TEMPORARY RAMP



FILE NAME: s:\p\13388\13388_17\delug\propose\epb\13388_17-F-plan02.dgn

Ciorba Group, Inc.
 CONSULTING ENGINEERS
 5507 North Cumberland Avenue, Suite 402
 Chicago, Illinois 60656
 Tel. 773.775.4009 Fax 773.775.4014

USER NAME = alau	DESIGNED - MT	REVISED -
PLOT SCALE = 50,0000' / IN.	DRAWN - MT	REVISED -
PLOT DATE = 4/21/2009	CHECKED - WBL	REVISED -
	DATE - 4/22/09	REVISED -

**STATE OF ILLINOIS
 DEPARTMENT OF TRANSPORTATION**

**SHERIDAN ROAD
 ARTHUR AVENUE TO NORTH OF JUNEWAY TERRACE
 PROPOSED ROADWAY AND PAVEMENT MARKING PLAN**

SCALE: 1"=50' SHEET NO. 7 OF 18 SHEETS STA. TO STA.

F.A.U. RTE. 2865	SECTION 2829 RS-4	COUNTY COOK	TOTAL SHEETS 18	SHEET NO. 7
CONTRACT NO. 60H10			FED. ROAD DIST. NO. 1 ILLINOIS FED. AID PROJECT	