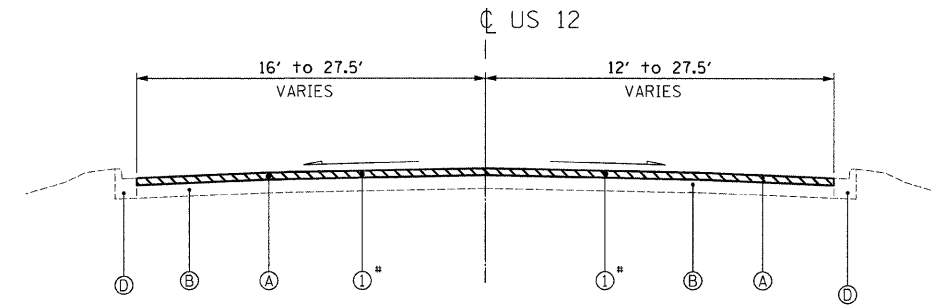
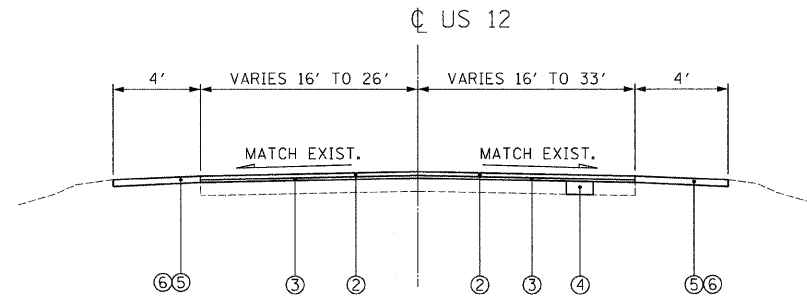


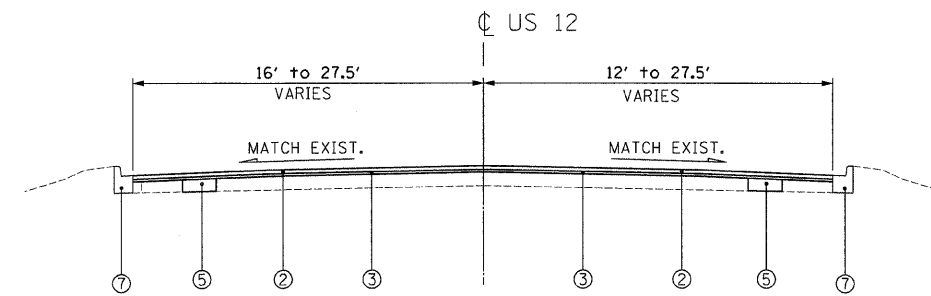
EXISTING TYPICAL SECTION
 STA. 117+73 TO STA. 121+98
 STA. 123+73 TO STA. 201+26
 STA. 203+01 TO STA. 433+87



EXISTING TYPICAL SECTION
 STA. 433+87 TO STA. 446+38
 STA. 453+93 TO STA. 459+69
 STA. 462+19 TO STA. 466+00



PROPOSED TYPICAL SECTION
 STA. 117+73 TO STA. 121+98
 STA. 123+73 TO STA. 201+26
 STA. 203+01 TO STA. 433+87



PROPOSED TYPICAL SECTION
 STA. 433+87 TO STA. 446+38
 STA. 453+93 TO STA. 459+69
 STA. 462+19 TO STA. 466+00

HOT-MIX ASPHALT MIXTURE REQUIREMENTS CHART

OPERATIONS	MIXTURE TYPE	AC TYPE	PERCENT AIR VOIDS
ROADWAY RESURFACING	HOT-MIX ASPHALT SURFACE COURSE, MIX "D", N70 (IL-9.5MM)	PG 64-22	4% @ 70 GYR
	POLYMERIZED LEVELING BINDER (MACHINE METHOD), IL-4.75, N50	SBS/SBR PG 76-28/-22	4% @ 50 GYR
MAINTENANCE OF TRAFFIC	LEVELING BINDER (HAND METHOD), N70 (IL-9.5MM)	PG 64-22 *	4% @ 70 GYR
PAVEMENT PATCHING	CLASS D PATCHES, 10" (HMA BINDER IL-19 MM)	PG 64-22 *	4% @ 70 GYR

THE UNIT WEIGHT USED TO CALCULATE ALL HMA SURFACE MIXTURE QUANTITIES IS 112 LBS/SQ YD/IN.

* WHEN RAP EXCEEDS 20%, THE NEW ASPHALT BINDER IN THE MIX SHALL BE PG 58-22.

EXISTING CONDITIONS:

- Ⓐ HOT-MIX ASPHALT SURFACE AND BINDER COURSE, 3" AND VARIES
- Ⓑ HOT-MIX ASPHALT BASE COURSE, 9"
- Ⓒ AGGREGATE SHOULDER
- Ⓓ COMBINATION CONCRETE CURB AND GUTTER

PROPOSED IMPROVEMENTS:

- ① HOT-MIX ASPHALT SURFACE REMOVAL, 2 1/4"
- ② HOT-MIX ASPHALT SURFACE COURSE, MIX "D", N70, 1 1/2"
- ③ POLYMERIZED LEVELING BINDER (MACHINE METHOD), IL-4.75, N50, 3/4"
- ④ CLASS D PATCHES, 10" (DETERMINED BY ENGINEER IN FIELD)
- ⑤ AGGREGATE WEDGE SHOULDER, TYPE B
- ⑥ GRADING AND SHAPING SHOULDERS
- ⑦ COMBINATION CONCRETE CURB AND GUTTER REMOVAL AND REPLACEMENT (AS DIRECTED BY ENGINEER)

A QUANTITY FOR LEVELING BINDER (HAND METHOD) HAS BEEN PROVIDED FOR USE AT ENTRANCES AFTER GRINDING OF EXISTING PAVEMENT.

* THE CONTRACTOR SHALL MILL FIRST BEFORE PATCHING

FILE NAME: m:\p\3388\22\us12\typical\3388_22-04-typical_sections.dgn

CG Ciorba Group, Inc.
 CONSULTING ENGINEERS
 5507 North Cumberland Avenue, Suite 402
 Chicago, Illinois 60658
 Tel. 773.775.4009 Fax 773.775.4014

USER NAME = oia	DESIGNED - DD	REVISED -
PLOT SCALE = 5,0000 "/ IN.	DRAWN - DD	REVISED -
PLOT DATE = 4/21/2009	CHECKED - WBL	REVISED -
	DATE - 4/22/09	REVISED -

STATE OF ILLINOIS
 DEPARTMENT OF TRANSPORTATION

US 12
 IL 31 (TYRON GROVE ROAD) TO LAKE COUNTY LINE
 TYPICAL SECTIONS
 SCALE: N.T.S. SHEET NO. 4 OF 32 SHEETS STA. TO STA.

F.A.P. RTE. 334	SECTION 116 R-RS	COUNTY MCHENRY	TOTAL SHEETS 32	SHEET NO. 4
FED. ROAD DIST. NO. 1 ILLINOIS FED. AID PROJECT			CONTRACT NO. 60H22	