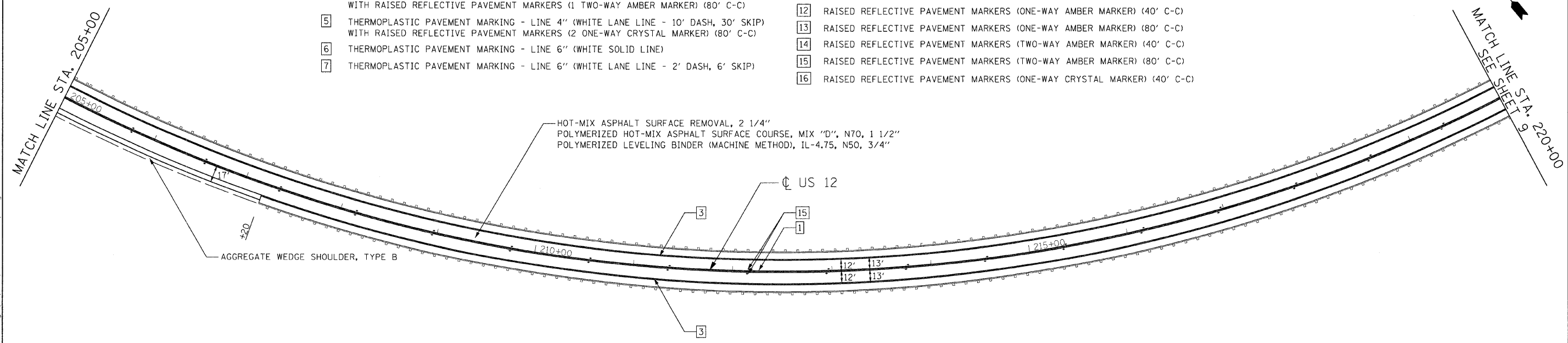
 HOT-MIX ASPHALT SURFACE REMOVAL - BUTT JOINT  
 TEMPORARY RAMP

**LEGEND:**

- |  |   |
|--|---|
| <ul style="list-style-type: none"> <li>1 THERMOPLASTIC PAVEMENT MARKING - LINE 4" (DOUBLE YELLOW SOLID LINE 11" C-C)</li> <li>2 THERMOPLASTIC PAVEMENT MARKING - LINE 4" (YELLOW SOLID LINE)</li> <li>3 THERMOPLASTIC PAVEMENT MARKING - LINE 4" (WHITE EDGE LINE)</li> <li>4 THERMOPLASTIC PAVEMENT MARKING - LINE 4" (YELLOW LANE LINE - 10' DASH, 30' SKIP) WITH RAISED REFLECTIVE PAVEMENT MARKERS (1 TWO-WAY AMBER MARKER) (80' C-C)</li> <li>5 THERMOPLASTIC PAVEMENT MARKING - LINE 4" (WHITE LANE LINE - 10' DASH, 30' SKIP) WITH RAISED REFLECTIVE PAVEMENT MARKERS (2 ONE-WAY CRYSTAL MARKER) (80' C-C)</li> <li>6 THERMOPLASTIC PAVEMENT MARKING - LINE 6" (WHITE SOLID LINE)</li> <li>7 THERMOPLASTIC PAVEMENT MARKING - LINE 6" (WHITE LANE LINE - 2' DASH, 6' SKIP)</li> </ul> | <ul style="list-style-type: none"> <li>8 THERMOPLASTIC PAVEMENT MARKING - LINE 12" (YELLOW DIAGONAL LINE)</li> <li>9 THERMOPLASTIC PAVEMENT MARKING - LINE 12" (WHITE DIAGONAL LINE)</li> <li>10 THERMOPLASTIC PAVEMENT MARKING - LINE 24" (WHITE STOP LINE)</li> <li>11 THERMOPLASTIC PAVEMENT MARKING - LETTERS AND SYMBOLS (TYP.)</li> <li>12 RAISED REFLECTIVE PAVEMENT MARKERS (ONE-WAY AMBER MARKER) (40' C-C)</li> <li>13 RAISED REFLECTIVE PAVEMENT MARKERS (ONE-WAY AMBER MARKER) (80' C-C)</li> <li>14 RAISED REFLECTIVE PAVEMENT MARKERS (TWO-WAY AMBER MARKER) (40' C-C)</li> <li>15 RAISED REFLECTIVE PAVEMENT MARKERS (TWO-WAY AMBER MARKER) (80' C-C)</li> <li>16 RAISED REFLECTIVE PAVEMENT MARKERS (ONE-WAY CRYSTAL MARKER) (40' C-C)</li> </ul> |
|--|---|



FILE NAME: s:\projects\33568\33568\_22\design\mch\propmsh\plan\33568\_22\_propmsh.dgn

**Ciorba Group, Inc.**  
 CONSULTING ENGINEERS  
 5507 North Cumberland Avenue, Suite 402  
 Chicago, Illinois 60656  
 Tel. 773.775.4009 Fax 773.775.4014

USER NAME = aliu	DESIGNED - DD	REVISED -
PLOT SCALE = 50.0000' / IN.	DRAWN - RJR	REVISED -
PLOT DATE = 4/21/2009	CHECKED - SNS	REVISED -
	DATE - 4/22/09	REVISED -

**STATE OF ILLINOIS  
 DEPARTMENT OF TRANSPORTATION**

**US 12  
 IL 31 (TYRON GROVE ROAD) TO LAKE COUNTY LINE  
 PROPOSED ROADWAY AND PAVEMENT MARKING PLAN**

SCALE: 1"=50' SHEET NO. 8 OF 32 SHEETS STA. 190+00 TO STA. 220+00

F.A.P. RTE. 334	SECTION 116 R-RS	COUNTY MCHENRY	TOTAL SHEETS 32	SHEET NO. 8
FED. ROAD DIST. NO. 1 ILLINOIS FED. AID PROJECT			CONTRACT NO. 60H22	