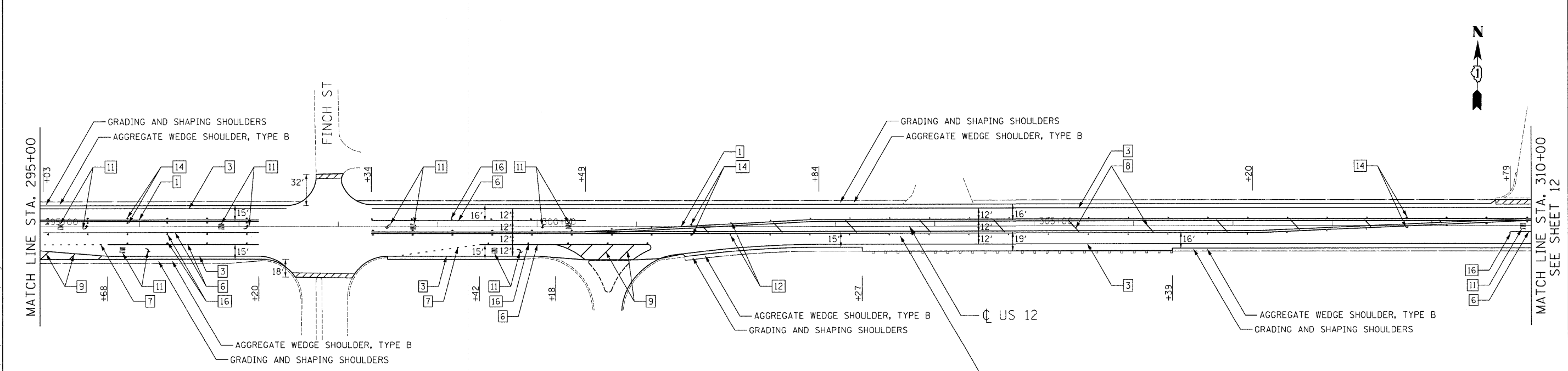


LEGEND:

- | | | | |
|---|--|----|---|
| 1 | THERMOPLASTIC PAVEMENT MARKING - LINE 4" (DOUBLE YELLOW SOLID LINE 11" C-C) | 8 | THERMOPLASTIC PAVEMENT MARKING - LINE 12" (YELLOW DIAGONAL LINE) |
| 2 | THERMOPLASTIC PAVEMENT MARKING - LINE 4" (YELLOW SOLID LINE) | 9 | THERMOPLASTIC PAVEMENT MARKING - LINE 12" (WHITE DIAGONAL LINE) |
| 3 | THERMOPLASTIC PAVEMENT MARKING - LINE 4" (WHITE EDGE LINE) | 10 | THERMOPLASTIC PAVEMENT MARKING - LINE 24" (WHITE STOP LINE) |
| 4 | THERMOPLASTIC PAVEMENT MARKING - LINE 4" (YELLOW LANE LINE - 10' DASH, 30' SKIP) WITH RAISED REFLECTIVE PAVEMENT MARKERS (1 TWO-WAY AMBER MARKER) (80' C-C) | 11 | THERMOPLASTIC PAVEMENT MARKING - LETTERS AND SYMBOLS (TYP.) |
| 5 | THERMOPLASTIC PAVEMENT MARKING - LINE 4" (WHITE LANE LINE - 10' DASH, 30' SKIP) WITH RAISED REFLECTIVE PAVEMENT MARKERS (2 ONE-WAY CRYSTAL MARKER) (80' C-C) | 12 | RAISED REFLECTIVE PAVEMENT MARKERS (ONE-WAY AMBER MARKER) (40' C-C) |
| 6 | THERMOPLASTIC PAVEMENT MARKING - LINE 6" (WHITE SOLID LINE) | 13 | RAISED REFLECTIVE PAVEMENT MARKERS (ONE-WAY AMBER MARKER) (80' C-C) |
| 7 | THERMOPLASTIC PAVEMENT MARKING - LINE 6" (WHITE LANE LINE - 2' DASH, 6' SKIP) | 14 | RAISED REFLECTIVE PAVEMENT MARKERS (TWO-WAY AMBER MARKER) (40' C-C) |
| | | 15 | RAISED REFLECTIVE PAVEMENT MARKERS (TWO-WAY AMBER MARKER) (80' C-C) |
| | | 16 | RAISED REFLECTIVE PAVEMENT MARKERS (ONE-WAY CRYSTAL MARKER) (40' C-C) |

HOT-MIX ASPHALT SURFACE REMOVAL - BUTT JOINT
TEMPORARY RAMP



Ciorba Group, Inc.
CONSULTING ENGINEERS
5507 North Cumberland Avenue, Suite 402
Chicago, Illinois 60656
Tel. 773.775.4009 Fax 773.775.4014

USER NAME = oiaou	DESIGNED - DD	REVISED -
PLOT SCALE = 50.0000' / IN.	DRAWN - RJR	REVISED -
PLOT DATE = 4/21/2009	CHECKED - SNS	REVISED -
	DATE - 4/22/09	REVISED -

**STATE OF ILLINOIS
DEPARTMENT OF TRANSPORTATION**

**US 12
IL 31 (TYRON GROVE ROAD) TO LAKE COUNTY LINE
PROPOSED ROADWAY AND PAVEMENT MARKING PLAN**

SCALE: 1"=50' SHEET NO. 11 OF 32 SHEETS STA. 280+00 TO STA. 310+00

F.A.P. RTE.	SECTION	COUNTY	TOTAL SHEETS	SHEET NO.
334	116 R-RS	MCHENRY	32	11
CONTRACT NO. 60H22			FED. ROAD DIST. NO. 1 ILLINOIS FED. AID PROJECT	

FILE NAME: c:\prow\3368\3368-22\design\pavement\113368-22-Prop07.dgn