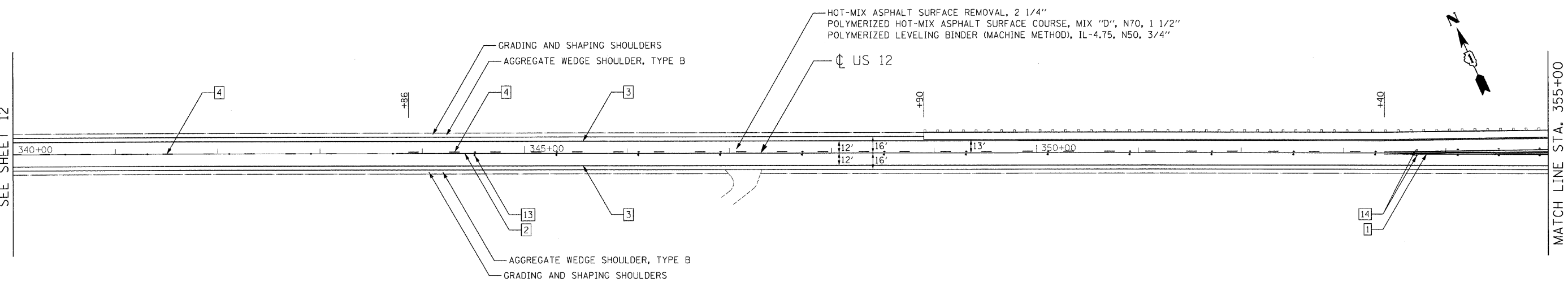


MATCH LINE STA. 340+00
SEE SHEET 12



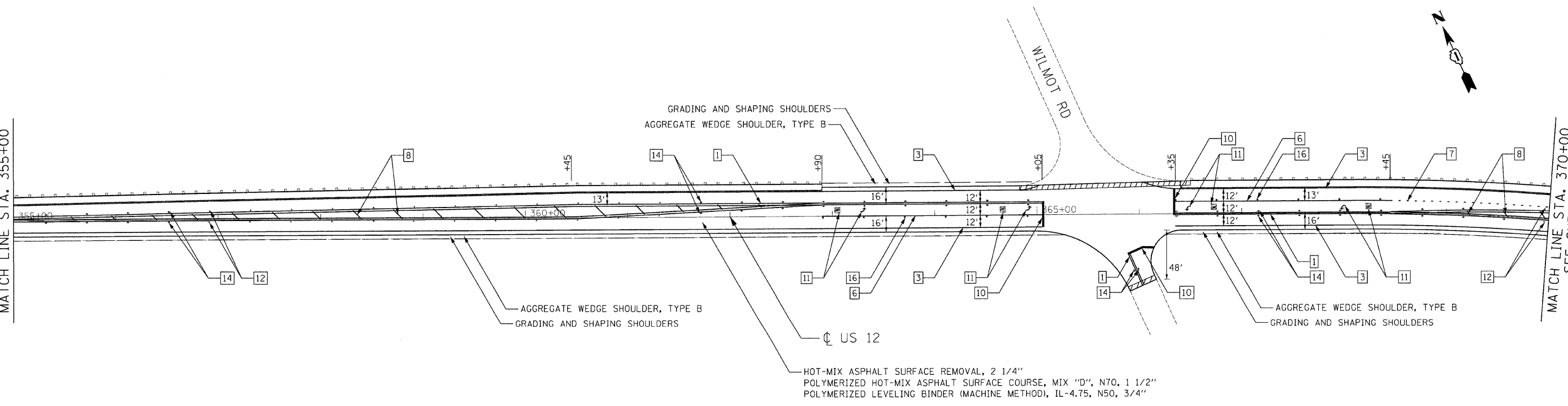
MATCH LINE STA. 355+00

LEGEND:

- | | |
|---|--|
| <p>1 THERMOPLASTIC PAVEMENT MARKING - LINE 4" (DOUBLE YELLOW SOLID LINE 11" C-C)</p> <p>2 THERMOPLASTIC PAVEMENT MARKING - LINE 4" (YELLOW SOLID LINE)</p> <p>3 THERMOPLASTIC PAVEMENT MARKING - LINE 4" (WHITE EDGE LINE)</p> <p>4 THERMOPLASTIC PAVEMENT MARKING - LINE 4" (YELLOW LANE LINE - 10' DASH, 30' SKIP) WITH RAISED REFLECTIVE PAVEMENT MARKERS (1 TWO-WAY AMBER MARKER) (80' C-C)</p> <p>5 THERMOPLASTIC PAVEMENT MARKING - LINE 4" (WHITE LANE LINE - 10' DASH, 30' SKIP) WITH RAISED REFLECTIVE PAVEMENT MARKERS (2 ONE-WAY CRYSTAL MARKER) (80' C-C)</p> <p>6 THERMOPLASTIC PAVEMENT MARKING - LINE 6" (WHITE SOLID LINE)</p> <p>7 THERMOPLASTIC PAVEMENT MARKING - LINE 6" (WHITE LANE LINE - 2' DASH, 6' SKIP)</p> | <p>8 THERMOPLASTIC PAVEMENT MARKING - LINE 12" (YELLOW DIAGONAL LINE)</p> <p>9 THERMOPLASTIC PAVEMENT MARKING - LINE 12" (WHITE DIAGONAL LINE)</p> <p>10 THERMOPLASTIC PAVEMENT MARKING - LINE 24" (WHITE STOP LINE)</p> <p>11 THERMOPLASTIC PAVEMENT MARKING - LETTERS AND SYMBOLS (TYP.)</p> <p>12 RAISED REFLECTIVE PAVEMENT MARKERS (ONE-WAY AMBER MARKER) (40' C-C)</p> <p>13 RAISED REFLECTIVE PAVEMENT MARKERS (ONE-WAY AMBER MARKER) (80' C-C)</p> <p>14 RAISED REFLECTIVE PAVEMENT MARKERS (TWO-WAY AMBER MARKER) (40' C-C)</p> <p>15 RAISED REFLECTIVE PAVEMENT MARKERS (TWO-WAY AMBER MARKER) (80' C-C)</p> <p>16 RAISED REFLECTIVE PAVEMENT MARKERS (ONE-WAY CRYSTAL MARKER) (40' C-C)</p> |
|---|--|

HOT-MIX ASPHALT SURFACE REMOVAL - BUTT JOINT
TEMPORARY RAMP

MATCH LINE STA. 355+00



MATCH LINE STA. 370+00
SEE SHEET 14

FILE NAME: m:\proj\3398\3398_22\design\proposalsub\lan\3398_22_Prop09.dgn

Ciorba Group, Inc.
CONSULTING ENGINEERS
5507 North Cumberland Avenue, Suite 402
Chicago, Illinois 60656
Tel. 773.775.4009 Fax 773.775.4014

USER NAME = olau	DESIGNED - DD	REVISED -
DRAWN - RJR	CHECKED - SNS	DATE - 4/22/09
PLT SCALE = 50,0000' / IN.	PLT DATE = 4/21/2009	

**STATE OF ILLINOIS
DEPARTMENT OF TRANSPORTATION**

**US 12
IL 31 (TYRON GROVE ROAD) TO LAKE COUNTY LINE
PROPOSED ROADWAY AND PAVEMENT MARKING PLAN**

SCALE: 1"=50' SHEET NO. 13 OF 32 SHEETS STA. 340+00 TO STA. 370+00

F.A.P. RTE.	SECTION	COUNTY	TOTAL SHEETS	SHEET NO.
334	116 R-RS	MCHENRY	32	13
CONTRACT NO. 60H22				
FED. ROAD DIST. NO. 1 ILLINOIS FED. AID PROJECT				