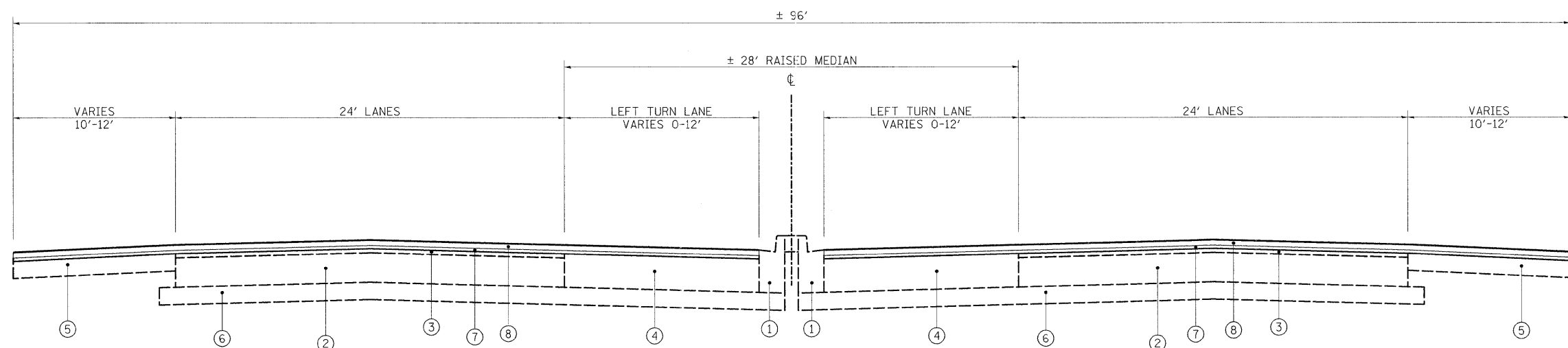


PROPOSED TYPICAL SECTION RAND ROAD

STA. 83+50 TO STA. 260+54



PROPOSED TYPICAL SECTION RAND ROAD

STA. 39+03 TO STA. 83+50

HOT-MIX ASPHALT MIXTURE

MIXTURE	AC TYPE	AIR VOIDS (%)
POLYMERIZED HOT-MIX ASPHALT SURFACE COURSE, MIX "F", N90 (IL 9.5 mm)	SBS/SBR PG 70-22	4% @ 90 GYR.
POLYMERIZED LEVELING BINDER (MACHINE METHOD), IL-4.75, N50	SBS/SBR PG 76-28/-22	4% @ 50 GYR.
HMA REPLACEMENT OVER PATCHES (HMA BINDER, IL-19 mm)	PG 64-22*	4% @ 70 GYR.
CLASS D PATCH (HMA BINDER, IL-19 mm)	PG 64-22*	4% @ 70 GYR.

THE UNIT WEIGHT USED TO CALCULATE ALL HOT-MIX ASPHALT SURFACE MIXTURES IS 112 LBS/SQ YD/IN

*WHEN RAP EXCEEDS 20%, THE NEW ASPHALT BINDER IN THE MIX SHALL BE PG 58-22.

LEGEND

- ① EXISTING COMBINATION CURB AND GUTTER, TYPE B-6.24
- ② EXISTING PCC PAVEMENT, ±10"
- ③ EXISTING HOT-MIX ASPHALT PAVEMENT, ±4" (BEFORE SURFACE REMOVAL)
- ④ EXISTING HOT-MIX ASPHALT PAVEMENT, ±14" (BEFORE SURFACE REMOVAL)
- ⑤ EXISTING HOT-MIX ASPHALT SHOULDER, ±8" (BEFORE SURFACE REMOVAL)
- ⑥ EXISTING AGGREGATE BASE COURSE
- ⑦ PROPOSED POLYMERIZED LEVELING BINDER (MACHINE METHOD), IL-4.75, N50, 3/4"
- ⑧ PROPOSED POLYMERIZED HOT-MIX ASPHALT SURFACE COURSE, MIX "F", N90, 1 3/4"

PLOT DATE = 4/20/2009
 FILE NAME = K:\11225514\Rand Road South\Cad\Sheets\RandRoadTypical Sections.dgn
 USER = rjngroup
 PLOT DATE = 4/20/2009
 PLOT TIME = 10:00 AM
 PLOT BY = rjngroup



200 West Front Street
Wheaton, IL 60187

DESIGNED -	BLB	REVISED -	
DRAWN -	JMT	REVISED -	
CHECKED -	MAK	REVISED -	
DATE -	4/13/2009	REVISED -	

STATE OF ILLINOIS
DEPARTMENT OF TRANSPORTATION

US RTE 12 (RAND RD)

PROPOSED
TYPICAL SECTIONS

F.A.P. RTE.	SECTION	COUNTY	TOTAL SHEETS	SHEET NO.
334	SY-1-RS-4	LAKE	28	5
CONTRACT NO. 60H24				
FED. ROAD DIST. NO. 1 ILLINOIS FED. AID PROJECT				

SCALE: SHEET NO. 5 OF 28 SHEETS STA. TO STA.