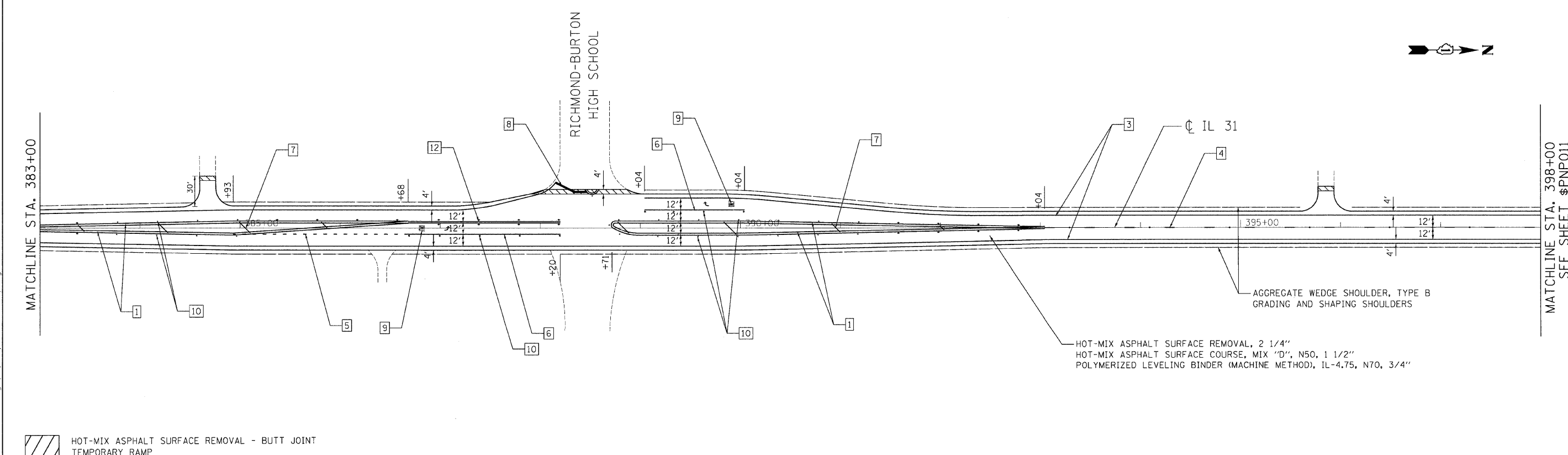
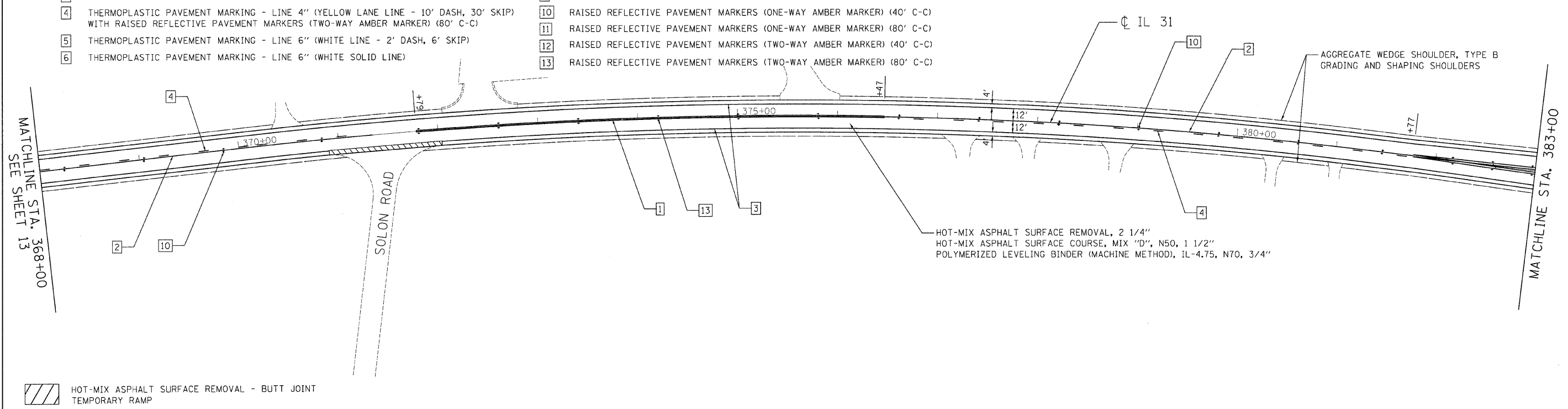


LEGEND:

- | | | | |
|---|---|----|---|
| 1 | THERMOPLASTIC PAVEMENT MARKING - LINE 4" (DOUBLE YELLOW SOLID LINE 11" C-C) | 7 | THERMOPLASTIC PAVEMENT MARKING - LINE 12" (YELLOW LINE) |
| 2 | THERMOPLASTIC PAVEMENT MARKING - LINE 4" (YELLOW SOLID LINE) | 8 | THERMOPLASTIC PAVEMENT MARKING - LINE 24" (WHITE STOP LINE) |
| 3 | THERMOPLASTIC PAVEMENT MARKING - LINE 4" (WHITE SOLID LINE) | 9 | THERMOPLASTIC PAVEMENT MARKING - LETTERS AND SYMBOLS (TYP.) |
| 4 | THERMOPLASTIC PAVEMENT MARKING - LINE 4" (YELLOW LANE LINE - 10' DASH, 30' SKIP) WITH RAISED REFLECTIVE PAVEMENT MARKERS (TWO-WAY AMBER MARKER) (80' C-C) | 10 | RAISED REFLECTIVE PAVEMENT MARKERS (ONE-WAY AMBER MARKER) (40' C-C) |
| 5 | THERMOPLASTIC PAVEMENT MARKING - LINE 6" (WHITE LINE - 2' DASH, 6' SKIP) | 11 | RAISED REFLECTIVE PAVEMENT MARKERS (ONE-WAY AMBER MARKER) (80' C-C) |
| 6 | THERMOPLASTIC PAVEMENT MARKING - LINE 6" (WHITE SOLID LINE) | 12 | RAISED REFLECTIVE PAVEMENT MARKERS (TWO-WAY AMBER MARKER) (40' C-C) |
| | | 13 | RAISED REFLECTIVE PAVEMENT MARKERS (TWO-WAY AMBER MARKER) (80' C-C) |



FILE NAME: s:\p\proj\3358\3358_19\design\propose\plan\3358_19_Prop_Plan.dgn

Ciorba Group, Inc.
CONSULTING ENGINEERS
5507 North Cumberland Avenue, Suite 402
Chicago, Illinois 60656
Tel. 773.775.4009 Fax 773.775.4014

USER NAME = alou	DESIGNED - NT	REVISED -
PLOT SCALE = 50.0000' / IN.	DRAWN - NT	REVISED -
PLOT DATE = 4/20/2009	CHECKED - WBL	REVISED -
	DATE - 4/22/09	REVISED -

**STATE OF ILLINOIS
DEPARTMENT OF TRANSPORTATION**

**IL 31
JOHNSBURG ROAD TO US 12 (TYRON GROVE ROAD)
PROPOSED ROADWAY AND PAVEMENT MARKING PLAN**

SCALE: 1"=50' SHEET NO. 14 OF 27 SHEETS STA. 368+00 TO STA. 398+00

F.A.P. RTE.	SECTION	COUNTY	TOTAL SHEETS	SHEET NO.
336	III R-RS	MCHENRY	27	14
CONTRACT NO. 60H46			FED. ROAD DIST. NO. 1 ILLINOIS FED. AID PROJECT	