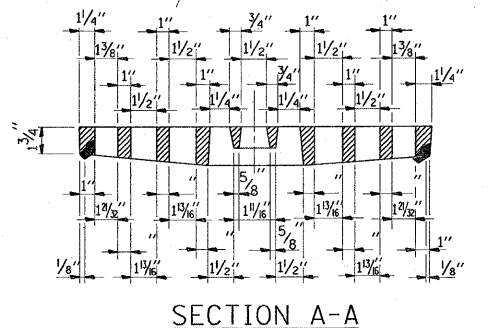
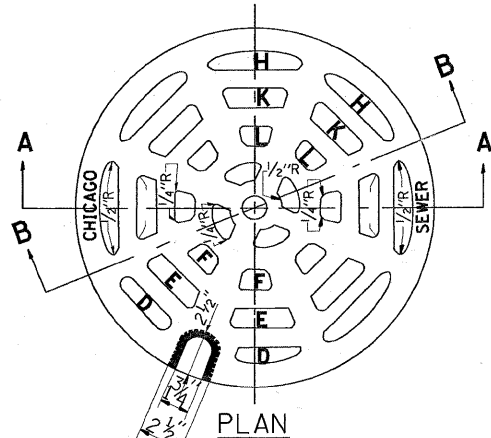
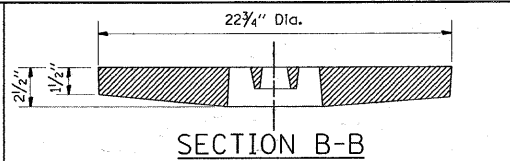
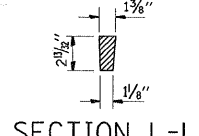
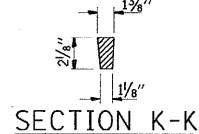
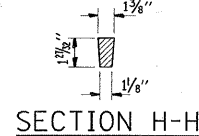
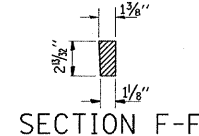
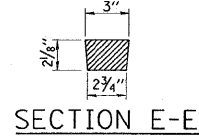
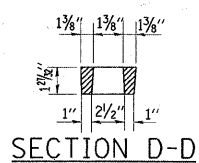


NOTE: METAL PLATES MUST BE FURNISHED FOR PERFORATED LIDS ON MANHOLES

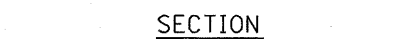
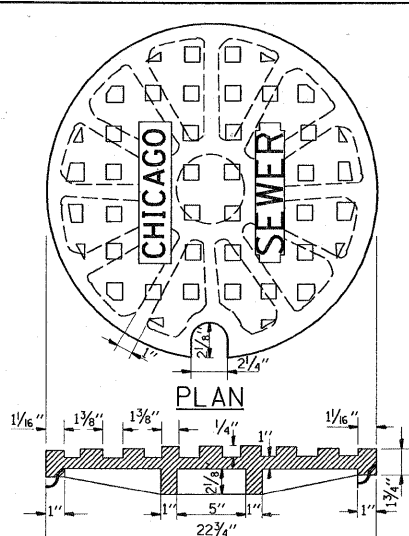
**CHICAGO STANDARD MANHOLE FRAME**  
SCALE: 1/2"=1'-0"  
MATERIAL: CAST IRON



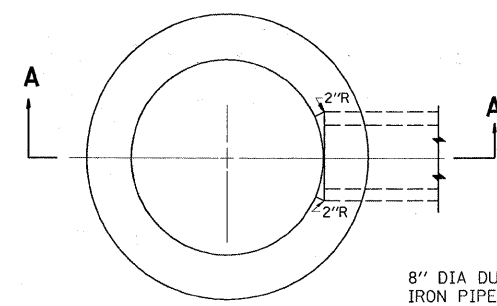
**PERFORATED LID FOR CATCH BASINS & MANHOLES**  
SCALE: 2"=1'-0"  
MATERIAL: CAST IRON



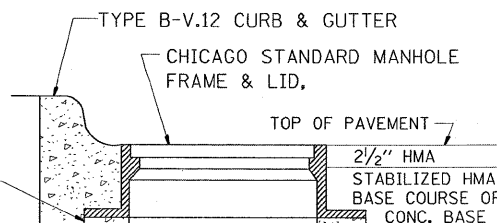
**SOLID LID FOR MANHOLES**  
SCALE: NONE  
MATERIAL: CAST IRON



SCALE: NONE  
MATERIAL: CAST IRON



8" DIA DUCTILE IRON PIPE, PART OF ITEM 7G



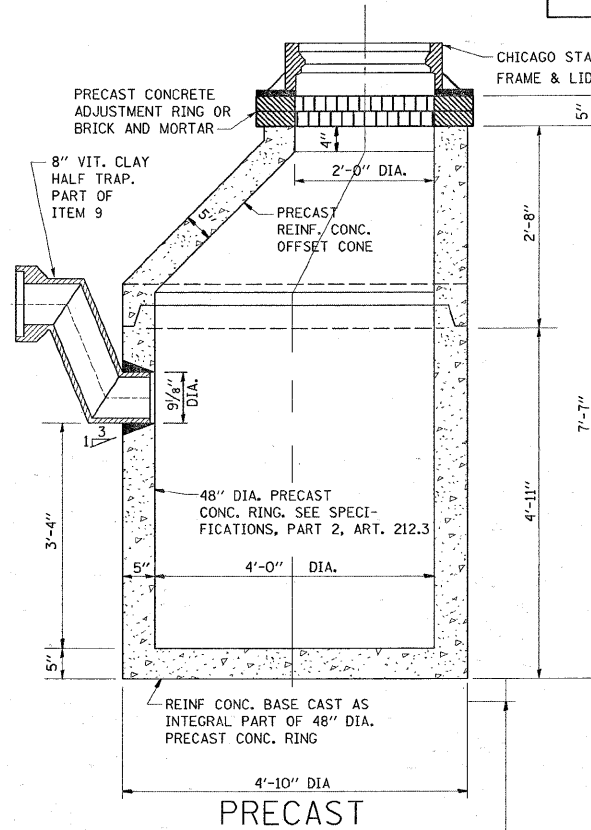
TYPE B-V.12 CURB & GUTTER  
CHICAGO STANDARD MANHOLE FRAME & LID,  
TOP OF PAVEMENT  
2 1/2" HMA STABILIZED HMA BASE COURSE OR CONC. BASE  
MORTAR  
2'-0" DIA.  
MORTAR  
8" DIA. DUCTILE IRON PIPE SHALL BE USED FOR CONNECTION TO CATCH BASIN PIPE TO BE LAID ON A MINIMUM GRADE OF 1%

REINF. CONC. BASE CAST AS INTEGRAL PART OF 24" DIA. PRECAST CONC. RING  
6" MINIMUM GRANULAR EMBEDMENT UNDER ALL INLETS. FURNISHING AND INSTALLING GRANULAR EMBEDMENT SHALL BE INCLUDED IN THE UNIT PRICE BID FOR ITEM 12

**STANDARD INLETS**  
SCALE 1"=1'-0"  
ITEM 12

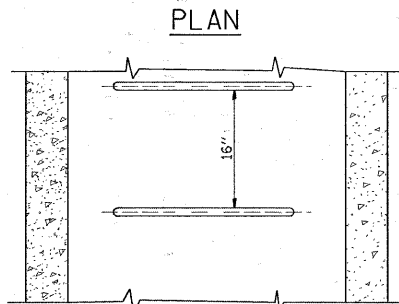
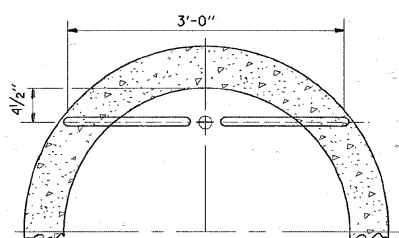
THIS INLET DETAIL IS SOMETIMES REFERRED TO AS "CHICAGO STANDARD INLET, TYPE A"

NOTE:  
INLETS SHALL NOT BE CONSTRUCTED UNLESS IT IS IMPOSSIBLE TO CONSTRUCT A CATCH BASIN. THE CONTRACTOR SHALL HAVE THE DEPARTMENT OF SEWERS APPROVAL BEFORE CONSTRUCTING INLETS.

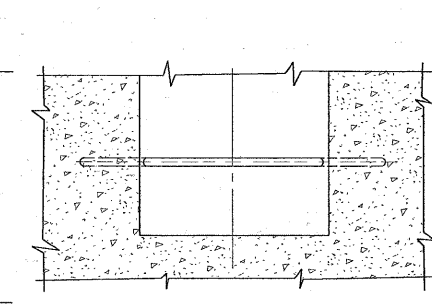
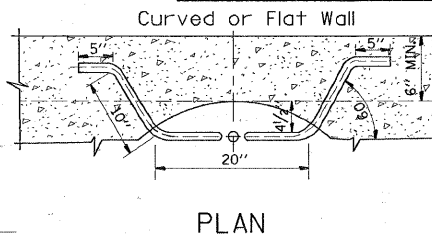


NOTE:  
6" MINIMUM GRANULAR EMBEDMENT UNDER ALL CATCH BASINS

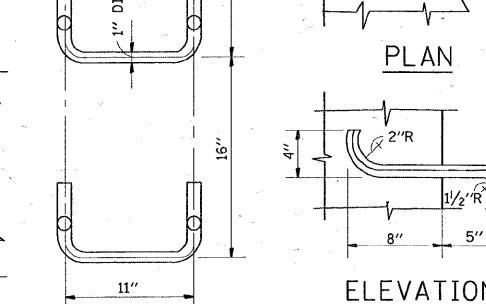
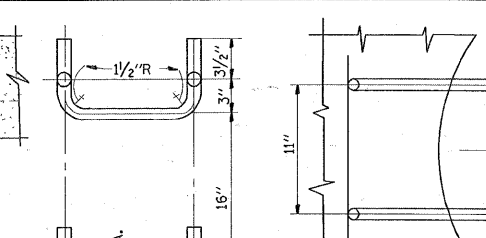
**STANDARD CATCH BASINS**  
SCALE: 3/4"=1'-0"  
ITEM 9



**TYPE X**  
SCALE: 1"=1'-0"



**TYPE Y**  
SCALE: 1"=1'-0"



**HANDHOLD-TYPE Z RUNG**  
SCALE: 1/2"=1'-0"

**STANDARD LADDER RUNGS**

ALL LADDER RUNGS SHALL BE ALUMINUM OR GALVANIZED WROUGHT IRON AS SPECIFIED IN THE SPECIFICATIONS, PART 2, ARTICLE 214.2. RUNGS SHALL BE 1" DIAMETER OR OF A SHAPE HAVING AN EQUIVALENT CROSS-SECTIONAL AREA.

FILE NAME =	USER NAME = steedpa	DESIGNED - M. GOMEZ	REVISED -
c:\pwwork\pwwork\stedpa\d0137655\01std.dgn		DRAWN -	REVISED -
	PLOT SCALE = 50.00000' / IN.	CHECKED -	REVISED -
	PLOT DATE = 4/16/2009	DATE - 01-25-01	REVISED -

**STATE OF ILLINOIS**  
**DEPARTMENT OF TRANSPORTATION**

**CITY OF CHICAGO**  
**CATCH BASIN, INLET AND MANHOLE DETAILS**

SCALE: NONE SHEET NO. 1 OF 1 SHEETS STA. TO STA.

F.A. RTE.	SECTION	COUNTY	TOTAL SHEETS	SHEET NO.
0054	1922 RS-3	COOK	20	14
BD600-13 (BD47)			CONTRACT NO. 62042	
FED. ROAD DIST. NO. 1 [ILLINOIS] FED. AID PROJECT				