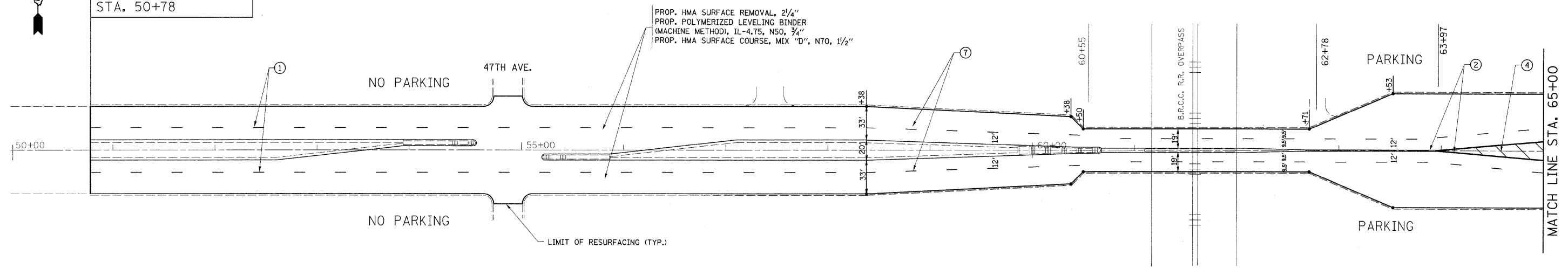




IMPROVEMENT BEGINS  
STA. 50+78



**LEGEND:**

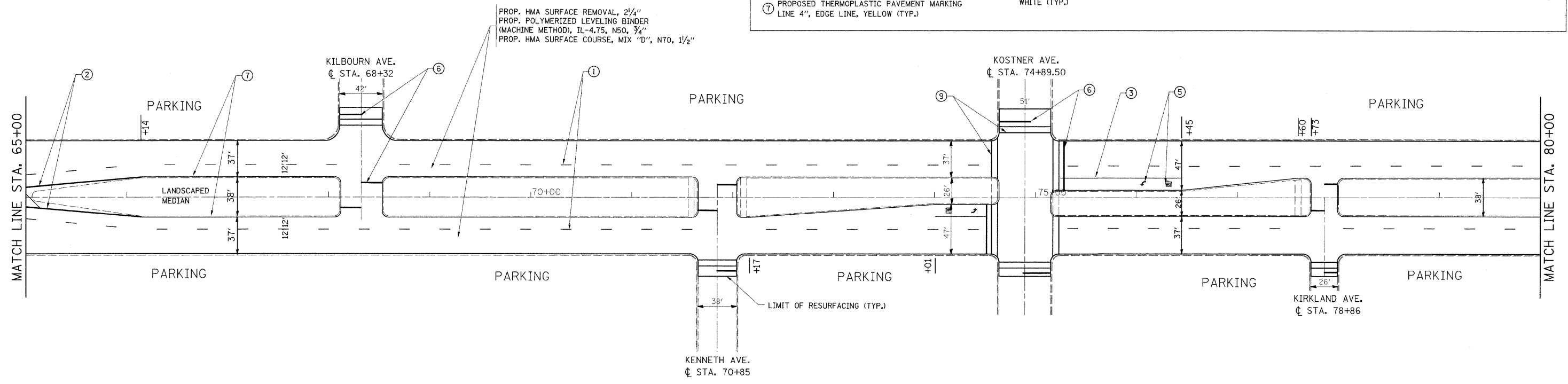
- ① PROPOSED THERMOPLASTIC PAVEMENT MARKING LINE 4", SKIP DASH @ 30' SKIP AND 10' DASH, WHITE (TYP.)
- ② PROPOSED THERMOPLASTIC PAVEMENT MARKING LINE 4", DOUBLE LINE @ 11" C-C, YELLOW (TYP.)
- ③ PROPOSED THERMOPLASTIC PAVEMENT MARKING LINE 6", TURN LANE, WHITE (TYP.)
- ④ PROPOSED THERMOPLASTIC PAVEMENT MARKING LINE 12", DIAGONALS @ 45°, YELLOW (TYP.)
- ⑤ PROPOSED THERMOPLASTIC PAVEMENT MARKING LETTERS AND SYMBOLS, WHITE (TYP.)
- ⑥ PROPOSED THERMOPLASTIC PAVEMENT MARKING LINE 24", STOP LINE, WHITE (TYP.)
- ⑦ PROPOSED THERMOPLASTIC PAVEMENT MARKING LINE 4", EDGE LINE, YELLOW (TYP.)
- ⑧ PROPOSED THERMOPLASTIC PAVEMENT MARKING LINE 4", SKIP DASH @ 30' SKIP AND 10' DASH, YELLOW (TYP.)
- ⑨ PROPOSED THERMOPLASTIC PAVEMENT MARKING LINE 6", CROSSWALK (PEDESTRIAN), WHITE (TYP.)
- ⑩ PROPOSED THERMOPLASTIC PAVEMENT MARKING LINE 12", DIAGONALS @ 45°, WHITE (TYP.)
- ⑪ PROPOSED THERMOPLASTIC PAVEMENT MARKING LINE 12", CROSSWALK (SCHOOL), WHITE (TYP.)
- ⑫ PROPOSED THERMOPLASTIC PAVEMENT MARKING LINE 8", WHITE (TYP.)
- ⑬ PROPOSED THERMOPLASTIC PAVEMENT MARKING LINE 6", DOTTED LINE @ 2' LINE AND 6' SPACE, WHITE (TYP.)

**NOTE:**

LIMIT OF RESURFACING ON SIDE ROADS AND STREETS SHALL BE TO THE RADIUS OF RETURN OR AS DIRECTED BY THE ENGINEER.

ALL PERMANENT PAVEMENT MARKINGS SHALL BE THERMOPLASTIC UNLESS OTHERWISE NOTED. SEE "DISTRICT ONE TYPICAL PAVEMENT MARKINGS" DETAIL (TC-13).

RAISED REFLECTIVE PAVEMENT MARKERS SHALL BE USED THROUGH THE IMPROVEMENT LIMITS. SEE "DISTRICT ONE TYPICAL APPLICATIONS RAISED REFLECTIVE PAVEMENT MARKERS" DETAIL (TC-11).



FILE NAME =	USER NAME = shiranisb	DESIGNED -	REVISED -	<b>STATE OF ILLINOIS DEPARTMENT OF TRANSPORTATION</b>	<b>ROADWAY AND PAVEMENT MARKING PLANS CERMAK ROAD /BRC RR TO KEDZIE AVE.</b>	F.A.J.J. RTE.	SECTION	COUNTY	TOTAL SHEETS	SHEET NO.	
ci:\pwwork\pwidot\SHIRANISB\0139175\01451021-Design.dgn		DRAWN -	REVISED -			1453	2001-144 RS	COOK	21	6	
PLOT SCALE = 50.0000' / IN.		CHECKED -	REVISED -			CONTRACT NO. 62323					
PLOT DATE = 4/21/2009		DATE -	REVISED -			FED. ROAD DIST. NO. ILLINOIS FED. AID PROJECT					