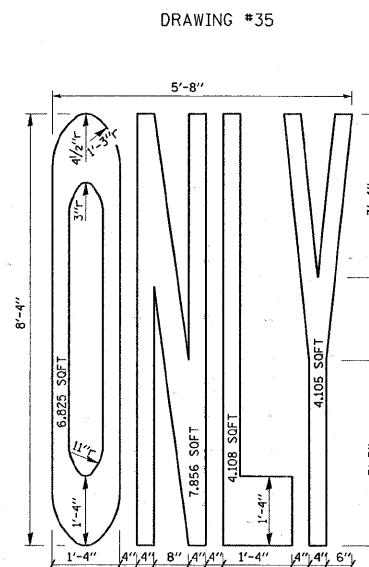
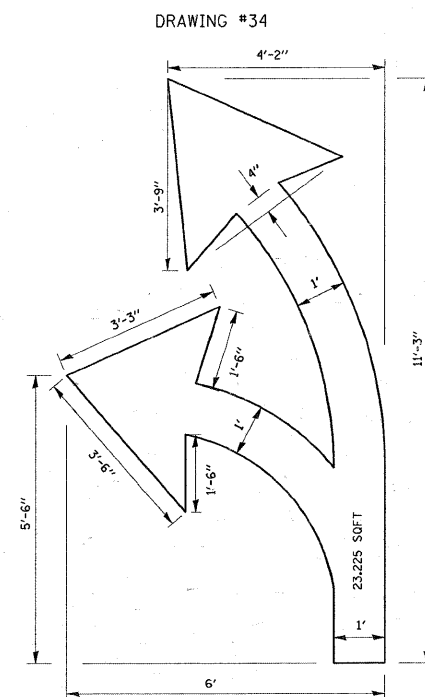
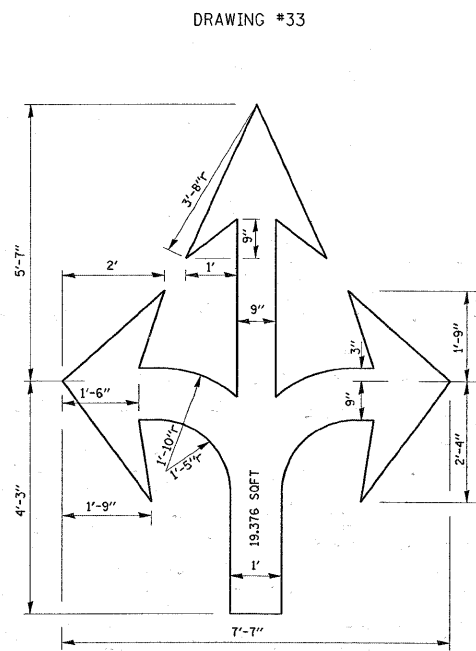
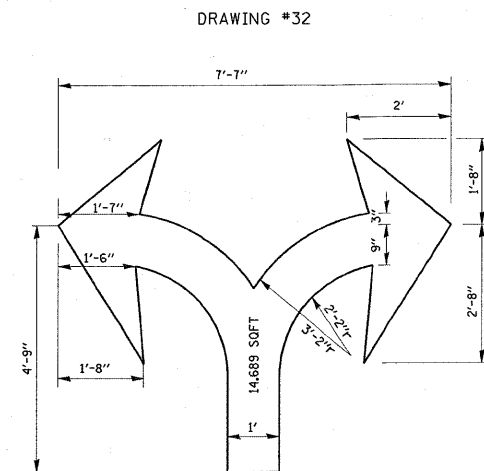
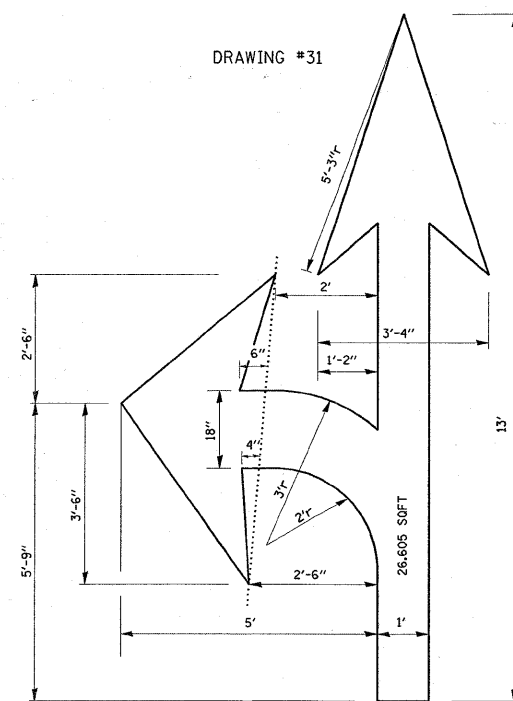
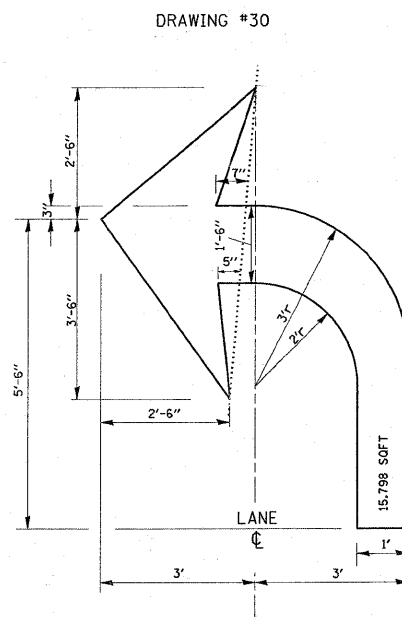
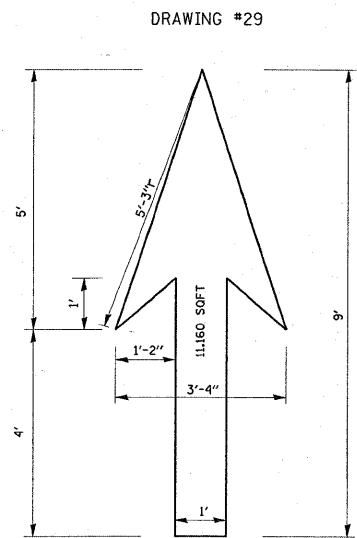


- NOTE:**
- FOR BIKE LANE SYMBOLS ONLY, USE PRE-FORMED THERMOPLASTIC WITH A MINIMUM THICKNESS OF 90 MILS, MINIMUM SKID RESISTANCE VALUE OF 60 BPN, & A MINIMUM INDEX OF REFRACTION OF 1.50.
  - THE RESIDENT ENGINEER SHALL CONTACT MR. BEN GOMBERG AT 312-744-8093 AT LEAST ONE CALENDAR WEEK PRIOR TO INSTALLING BIKE LANE SYMBOLS.

TYPICAL BIKE LANE SYMBOLS  
DRAWING #28



**NOTE:**  
ALL MARKINGS SHALL BE SOLID WHITE UNLESS OTHERWISE NOTED IN THE PLANS

FILE NAME = P:\CERMAK\to24.dgn	USER NAME = shironisb	DESIGNED -	REVISED - T. RAMMACHER 12-07-00
		DRAWN -	REVISED -
		CHECKED -	REVISED -
		DATE -	REVISED -

STATE OF ILLINOIS  
DEPARTMENT OF TRANSPORTATION

CITY OF CHICAGO TYPICAL PAVEMENT MARKINGS		F.A.U. RTE. 1453	SECTION 2001-144 RS	COUNTY COOK	TOTAL SHEETS 21	SHEET NO. 21
SCALE: NONE		SHEET NO. 2 OF 2 SHEETS		STA. TO STA.	CONTRACT NO. 62323	
FED. ROAD DIST. NO. 1 ILLINOIS FED. AID PROJECT						