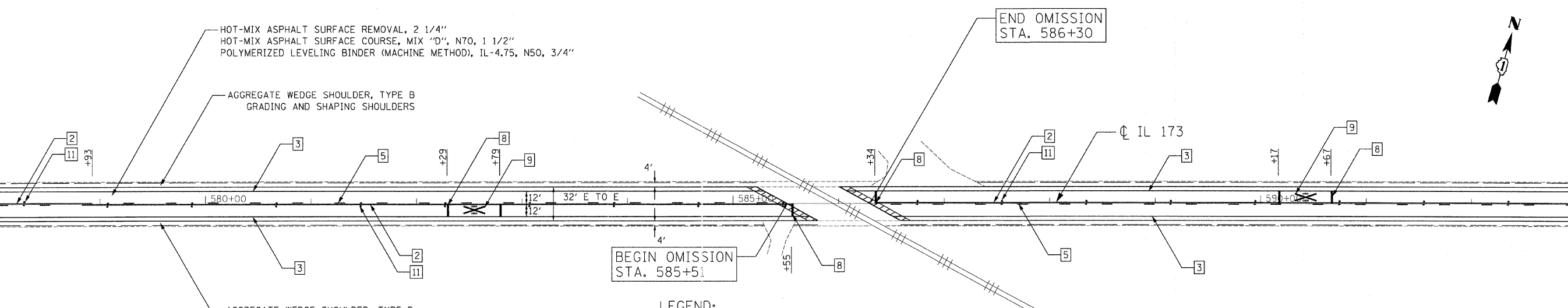


MATCH LINE STA. 588+00
SEE SHEET 20



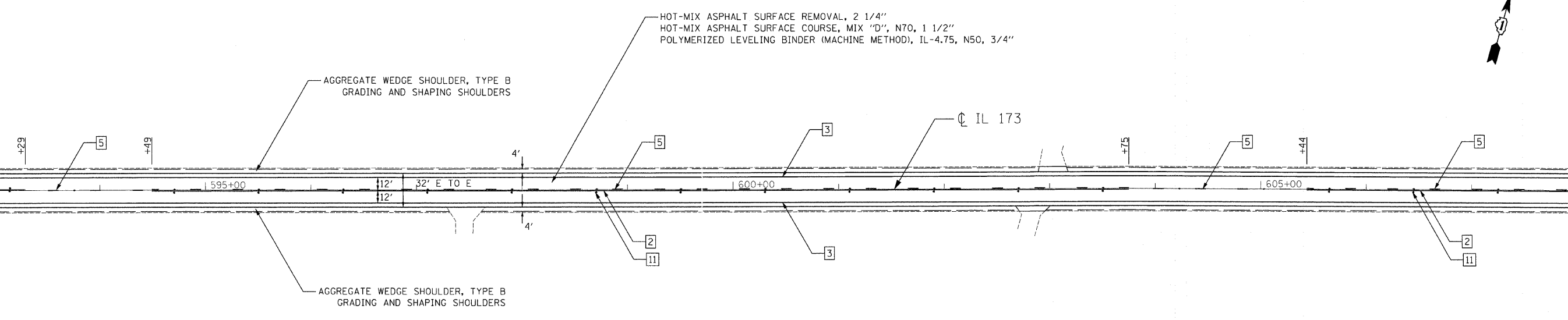
MATCH LINE STA. 593+00

HOT-MIX ASPHALT SURFACE REMOVAL - BUTT JOINT
TEMPORARY RAMP

LEGEND:

- | | | | |
|---|---|----|---|
| 1 | THERMOPLASTIC PAVEMENT MARKING - LINE 4" (DOUBLE YELLOW SOLID LINE 11" C-C) | 7 | THERMOPLASTIC PAVEMENT MARKING - LINE 12" (YELLOW DIAGONAL LINE) |
| 2 | THERMOPLASTIC PAVEMENT MARKING - LINE 4" (YELLOW SOLID LINE) | 8 | THERMOPLASTIC PAVEMENT MARKING - LINE 24" (WHITE STOP LINE) |
| 3 | THERMOPLASTIC PAVEMENT MARKING - LINE 4" (WHITE EDGE LINE) | 9 | THERMOPLASTIC PAVEMENT MARKING - LETTERS AND SYMBOLS (TYP.) |
| 4 | THERMOPLASTIC PAVEMENT MARKING - LINE 4" (YELLOW LANE LINE - 10' DASH, 30' SKIP) WITH RAISED REFLECTIVE PAVEMENT MARKERS (1 TWO-WAY AMBER MARKER) (40' C-C) | 10 | RAISED REFLECTIVE PAVEMENT MARKERS (ONE-WAY AMBER MARKER) (40' C-C) |
| 5 | THERMOPLASTIC PAVEMENT MARKING - LINE 4" (YELLOW LANE LINE - 10' DASH, 30' SKIP) WITH RAISED REFLECTIVE PAVEMENT MARKERS (1 TWO-WAY AMBER MARKER) (80' C-C) | 11 | RAISED REFLECTIVE PAVEMENT MARKERS (ONE-WAY AMBER MARKER) (80' C-C) |
| 6 | THERMOPLASTIC PAVEMENT MARKING - LINE 6" (WHITE SOLID LINE) | 12 | RAISED REFLECTIVE PAVEMENT MARKERS (TWO-WAY AMBER MARKER) (40' C-C) |
| | | 13 | RAISED REFLECTIVE PAVEMENT MARKERS (TWO-WAY AMBER MARKER) (80' C-C) |
| | | 14 | RAISED REFLECTIVE PAVEMENT MARKERS (ONE-WAY CRYSTAL MARKER) (40' C-C) |

MATCH LINE STA. 593+00



MATCH LINE STA. 608+00
SEE SHEET 22

HOT-MIX ASPHALT SURFACE REMOVAL - BUTT JOINT
TEMPORARY RAMP

FILE NAME = c:\p\proj\33268\33268_21\dwg\prop\prop\plan\33268_21_Prop17.dwg

Ciorba Group, Inc.
CONSULTING ENGINEERS
6507 North Cumberland Avenue, Suite 402
Chicago, Illinois 60656
Tel. 773.775.4009 Fax 773.775.4014

USER NAME = elau	DESIGNED - DD	REVISED -
DRAWN - RJR	CHECKED - SNS	DATE - 4/22/09
PLOT SCALE = 50.0000' / IN.		
PLOT DATE = 4/21/2009		

**STATE OF ILLINOIS
DEPARTMENT OF TRANSPORTATION**

**IL 173
ALDEN ROAD TO US 12
PROPOSED ROADWAY AND PAVEMENT MARKING PLAN**

SCALE: 1"=50' SHEET NO. 21 OF 36 SHEETS STA. 578+00 TO STA. 608+00

F.A.P. RTE.	SECTION	COUNTY	TOTAL SHEETS	SHEET NO.
303	(132, 133 & 134) RS-5	MCHENRY	36	21
CONTRACT NO. 62496			FED. ROAD DIST. NO. 1 ILLINOIS FED. AID PROJECT	