

STATE OF ILLINOIS
DEPARTMENT OF TRANSPORTATION
DIVISION OF HIGHWAYS
PROPOSED
HIGHWAY PLANS

F.A.P. 303 (IL 173)
SECTION (132, 133 & 134) RS-5
ALDEN ROAD TO US 12
RESURFACING (3P)

MCHENRY COUNTY
C-91-254-02

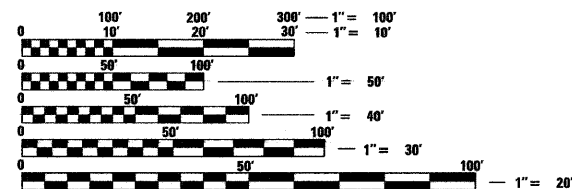
F.A.P. RTE.	SECTION	COUNTY	TOTAL SHEETS	SHEET NO.
303	(132, 133 & 134) RS-5	MCHENRY	36	1
FED. ROAD DIST. NO. 1		ILLINOIS	CONTRACT NO. 62496	

FOR INDEX OF SHEETS, SEE SHEET NO. 2

THESE IMPROVEMENTS ARE LOCATED WITHIN THE VILLAGES OF RICHMOND AND HEBRON

TRAFFIC DATA

2007 ADT - 4,700
 POSTED SPEED LIMIT - 55 MPH

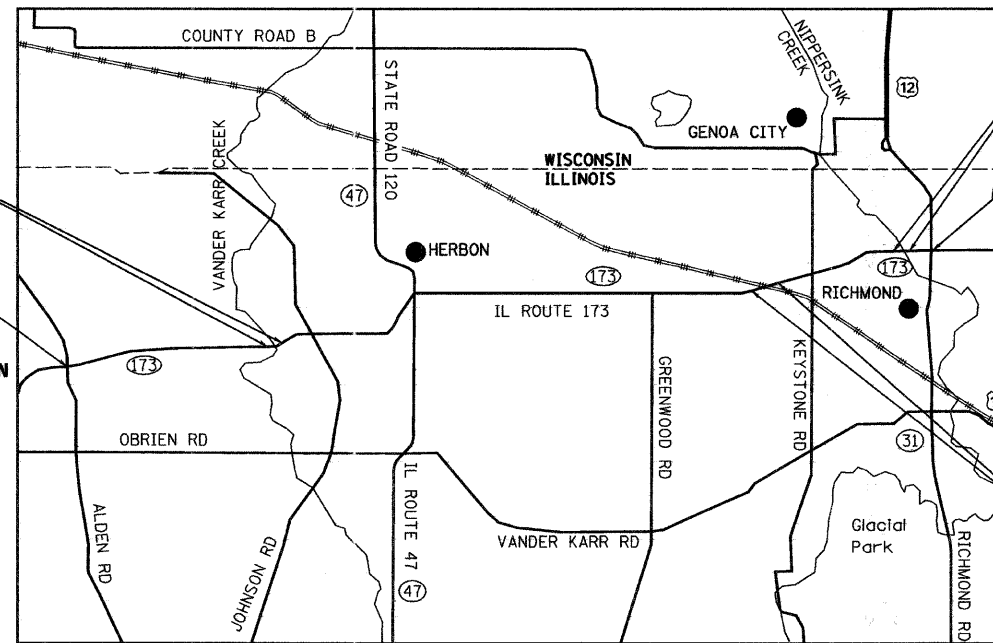


FULL SIZE PLANS HAVE BEEN PREPARED USING STANDARD ENGINEERING SCALES. REDUCED SIZED PLANS WILL NOT CONFORM TO STANDARD SCALES. IN MAKING MEASUREMENTS ON REDUCED PLANS, THE ABOVE SCALES MAY BE USED.

J.U.L.I.E.
 JOINT UTILITY LOCATION INFORMATION FOR EXCAVATION
 1-800-892-0123
 OR 811

STA. 242 + 91
 OMISSION
 STA. 243 + 68

BEGIN PROJECT
 STA. 105 + 18



STA. 680 + 63
 OMISSION
 STA. 682 + 17

END PROJECT
 STA. 697 + 96

STA. 585 + 51
 OMISSION
 STA. 586 + 30

RICHMOND, HEBRON AND ALDEN TOWNSHIP

LOCATION MAP
 1" = 6000'

GROSS LENGTH OF PROJECT = 59,278 FT = 11.23 MI.
 NET LENGTH OF PROJECT = 58,968 FT = 11.17 MI.

Giorba Group, Inc.

DESIGN FIRM
 REGISTRATION NUMBER

184-001016

CONSULTING ENGINEERS
 SUITE 402, 5507 NORTH CUMBERLAND AVE
 CHICAGO, ILLINOIS 60656 :: (773) 775-4009



DATE: 4/13/2009
 SEAL EXPIRES: 11/30/2009



LOCATION OF SECTION INDICATED THUS: - [shaded area]

STATE OF ILLINOIS
 DEPARTMENT OF TRANSPORTATION
 DIVISION OF HIGHWAYS

SUBMITTED APRIL 14, 2009

Debra M. O'Keefe
 DEPUTY DIRECTOR OF HIGHWAYS, REGION ENGINEER

May 1, 2009
Charles J. Ingersoll
 ENGINEER OF DESIGN AND ENVIRONMENT

May 1, 2009
Christine M. Reed
 DIRECTOR OF HIGHWAYS, CHIEF ENGINEER

**PRINTED BY THE AUTHORITY
 OF THE STATE OF ILLINOIS**

DISTRICT 1 DESIGN PLAN PREPARATION ENGINEER: K. ENG (847)705-4247

CONTRACT NO. 62496

INDEX OF SHEETS

SHEET NO	DESCRIPTION
1	COVER SHEET
2	INDEX OF SHEETS, STATE STANDARDS AND GENERAL NOTES
3	SUMMARY OF QUANTITIES
4	TYPICAL SECTIONS
5-25	ROADWAY AND PAVEMENT MARKING PLAN
26	DETECTOR LOOP REPLACEMENT PLANS
27	DETAILS FOR FRAMES AND LIDS ADJUSTMENT WITH MILLING (BD-8)
28	PAVEMENT PATCHING FOR HMA SURFACED PAVEMENT (BD-22)
29	CURB AND GUTTER REMOVAL AND REPLACEMENT (BD-24)
30	BUTT JOINT AND HMA TAPER DETAILS (BD-32)
31	TRAFFIC CONTROL AND PROTECTION FOR SIDE ROADS, INTERSECTIONS, AND DRIVEWAYS (TC-10)
32	TYPICAL APPLICATIONS RAISED REFLECTIVE PAVEMENT MARKERS (SNOW PLOW RESISTANT) (TC-11)
33	DISTRICT ONE TYPICAL PAVEMENT MARKINGS (TC-13)
34	PAVEMENT MARKING LETTERS AND SYMBOLS FOR TRAFFIC STAGING (TC-16)
35	ARTERIAL ROAD INFORMATION SIGN (TC-22)
36	DISTRICT 1 DETECTOR LOOP INSTALLATION DETAILS FOR ROADWAY RESURFACING (TS-07)

STATE STANDARDS

000001-05	STANDARD SYMBOLS, ABBREVIATIONS, AND PATTERNS
442201-03	CLASS C AND D PATCHES
482011-03	HMA SHLD. STRIPS/SHLDS. WITH RESURFACING OR WIDENING AND RESURFACING PROJECTS
604001-03	FRAME AND LIDS, TYPE 1
606001-04	CONCRETE CURB, TYPE B AND COMBINATION CONCRETE CURB AND GUTTER
701006-03	OFF-RD OPERATIONS, 2L, 2W, 15' (4.5 m) TO 24" (600 mm) FROM PAVEMENT EDGE
701201-03	LANE CLOSURE, 2L, 2W, DAY ONLY, FOR SPEEDS > 45 MPH
701301-03	LANE CLOSURE, 2L, 2W, SHORT TIME OPERATIONS
701306-02	LANE CLOSURE, 2L, 2W, SLOW MOVING OPERATIONS DAY ONLY, FOR SPEEDS > 45 MPH
701311-03	LANE CLOSURE, 2L, 2W, MOVING DAY OPERATIONS-DAY ONLY
701901-01	TRAFFIC CONTROL DEVICES
780001-02	TYPICAL PAVEMENT MARKINGS
886001-01	DETECTOR LOOP INSTALLATIONS
886006-01	TYPICAL LAYOUTS FOR DETECTION LOOPS

GENERAL NOTES

- BEFORE STARTING ANY EXCAVATION, THE CONTRACTOR SHALL CALL "JULIE" AT 800-892-0123 OR 811 FOR FIELD LOCATIONS OF BURIED ELECTRIC, TELEPHONE, AND GAS FACILITIES. (48 HOUR NOTIFICATION IS REQUIRED)
- 10 FEET (3 METER) TRANSITIONS SHALL BE USED TO MATCH PROPOSED CURB AND GUTTER AND MEDIAN ITEMS OF WORK TO EXISTING CURB AND GUTTER AND MEDIANS IN THE FIELD UNLESS OTHERWISE SHOWN. THE TRANSITIONS SHALL BE PAID FOR AT THE CONTRACT UNIT PRICE FOR THE PROPOSED ITEMS OF WORK SPECIFIED.
- THE CONTRACTOR SHALL COORDINATE CONSTRUCTION ACTIVITIES WITH UTILITY COMPANIES.
- THE CONTRACTOR WILL NOT BE ALLOWED TO SET UP A YARD OR FIELD OFFICE ON STATE PROPERTY WITHOUT WRITTEN PERMISSION FROM THE DEPARTMENT.
- WHEN ARTIFICIAL LIGHTING IS USED IN NIGHT OPERATIONS THE CONTRACTOR SHALL EXERCISE THE UTMOST PRECAUTIONS IN PREVENTING ADVERSE VISIBILITY TO THE MOTORING PUBLIC AND ADJOINING RESIDENTIAL AREAS.
- THE FOLLOWING RATES OF APPLICATION HAVE BEEN ASSUMED IN CALCULATING PLAN QUANTITIES:

BITUMINOUS MATERIALS (PRIME COAT)	0.0004 TONS/SQ YD
HOT-MIX ASPHALT SURFACE COURSE	112 LBS/SQ YD/INCH
POLYMERIZED LEVELING BINDER (MACHINE METHOD)	105 LBS/SQ YD/INCH
- THE ENGINEER SHALL CONTACT THE TRAFFIC CONTROL SUPERVISORS AT (847) 705-4470 A MINIMUM OF 72 HOURS PRIOR TO THE START OF WORK.
- TWO WEEKS PRIOR TO PLACEMENT OF PERMANENT PAVEMENT MARKINGS THE ENGINEER SHALL CONTACT DEBBIE HANLON, AREA TRAFFIC FIELD ENGINEER, AT (847) 438-2300.
- WHEN MILLED PAVEMENT IS OPEN TO TRAFFIC THE MAXIMUM GRADE DIFFERENTIAL BETWEEN PASSES OF THE MILLING MACHINE SHALL NOT EXCEED 1 1/2" (40 MM) WHERE THE SPEED LIMIT IS 45 MPH (80 KM/H) OR LESS AND 1" (25 MM) WHERE THE SPEED LIMIT IS GREATER THAN 45 MPH (80 KM/H). WITH WRITTEN APPROVAL FROM THE ENGINEER, A MAXIMUM GRADE DIFFERENTIAL OF 3" (75 MM) MAY BE ALLOWED IF THE EDGE OF THE MILLING IS SLOPED A MINIMUM 3:1 (H:V).
- BUTT JOINTS WILL BE INSTALLED AT THE END OF ALL RESURFACING (WHERE RESURFACING MEETS EXISTING PAVEMENT). IN ACCORDANCE WITH THE "BUTT JOINT AND HMA TAPER DETAILS" SHEET INCLUDED IN THE PLANS, UNLESS OTHERWISE SPECIFIED.
- FOR PAVEMENT MARKING, REFER TO DISTRICT ONE TYPICAL MARKINGS FOR DETAILS SHOWN.
- MATCH EXISTING PAVEMENT MARKINGS AT PROJECT LIMITS AND OMISSIONS.
- ALL PATCHES OPENED ON A PARTICULAR DAY MUST BE FILLED THAT DAY TO THE TOP OF THE MILLED PAVEMENT SURFACE.
- IDOT TRAFFIC SIGNAL AND SYSTEM DETECTION LOOPS ARE PRESENT AT US 12. THE CONTRACTOR MUST NOTIFY THE IDOT AREA TRAFFIC SIGNAL MAINTENANCE AND OPERATIONS ENGINEER AT (847) 705-4139 AND THE DEPARTMENT'S ELECTRICAL MAINTENANCE CONTRACTOR PRIOR TO BEGINNING WORK, AT WHICH TIME ARRANGEMENTS WILL BE MADE TO ADJUST THE TRAFFIC CONTROLLER TIMING TO COMPENSATE FOR THE ABSENCE OF DETECTION. REPLACEMENT OF LOOPS DOES NOT REQUIRE MAINTENANCE TRANSFER, BUT DOES REQUIRE NOTIFICATION OF WORK AND INSPECTION. COORDINATION WITH THE DISTRICT IS CONSIDERED INCIDENTAL TO THIS CONTRACT.

- NO OVERNIGHT CLOSURES SHOULD BE ALLOWED
- CONTINGENCY QUANTITIES HAVE BEEN INCLUDED FOR THE FOLLOWING ITEMS TO BE USED AT THE DIRECTION OF THE ENGINEER:

60406000 FRAMES AND LIDS, TYPE 1, OPEN LID - 3 EACH
60406100 FRAMES AND LIDS, TYPE 1, CLOSED LID - 3 EACH

FILE NAME = N:\PROJ\3388\3388_21\Design\ProposedPlan\3388_21-02-General_Note.dgn



Ciorba Group, Inc.
CONSULTING ENGINEERS
5507 North Cumberland Avenue, Suite 402
Chicago, Illinois 60656
Tel. 773.775.4009 Fax 773.775.4014

USER NAME = alou	DESIGNED - EPS	REVISED -
	DRAWN - EPS	REVISED -
PLOT SCALE = 1:8000' / INL	CHECKED - WBL	REVISED -
PLOT DATE = 4/21/2009	DATE - 4/22/09	REVISED -

**STATE OF ILLINOIS
DEPARTMENT OF TRANSPORTATION**

**IL 173
ALDEN ROAD TO US 12
INDEX OF SHEETS, STATE STANDARDS & GENERAL NOTES**

SCALE: SHEET NO. 2 OF 36 SHEETS STA. TO STA.

F.A.P. RTE.	SECTION	COUNTY	TOTAL SHEETS	SHEET NO.
303	(132, 133 & 134) RS-5	MCHENRY	36	2
CONTRACT NO. 62496			FED. ROAD DIST. NO. 1 ILLINOIS FED. AID PROJECT	

SUMMARY OF QUANTITIES			URBAN 100% STATE	CONSTRUCTION TYPE CODE
CODE NO.	DESCRIPTION	UNIT	TOTAL QUANTITY	ROADWAY 1000
20201006	GRADING AND SHAPING SHOULDERS	UNIT	1,060	1,060
35501316	HOT-MIX ASPHALT BASE COURSE, 8"	SQ YD	20	20
40201000	AGGREGATE FOR TEMPORARY ACCESS	TON	15	15
40600200	BITUMINOUS MATERIALS (PRIME COAT)	TON	170	170
40600300	AGGREGATE (PRIME COAT)	TON	835	835
40600400	MIXTURE FOR CRACKS, JOINTS, AND FLANGEWAYS	TON	25	25
40600535	LEVELING BINDER (HAND METHOD), N70	TON	50	50
40600895	CONSTRUCTING TEST STRIP	EACH	2	2
40600982	HOT-MIX ASPHALT SURFACE REMOVAL - BUTT JOINT	SQ YD	1,490	1,490
40600990	TEMPORARY RAMP	SQ YD	1,220	1,220
40603310	HOT-MIX ASPHALT SURFACE COURSE, MIX "C", N50	TON	2	2
40603340	HOT-MIX ASPHALT SURFACE COURSE, MIX "D", N70	TON	18,000	18,000
44000158	HOT-MIX ASPHALT SURFACE REMOVAL, 2 1/4"	SQ YD	207,700	207,700
44000200	DRIVEWAY PAVEMENT REMOVAL	SQ YD	20	20
44001700	COMBINATION CONCRETE CURB AND GUTTER REMOVAL AND REPLACEMENT	FOOT	400	400
44201761	CLASS D PATCHES, TYPE I, 10 INCH	SQ YD	200	200
44201765	CLASS D PATCHES, TYPE II, 10 INCH	SQ YD	3,200	3,200
44201769	CLASS D PATCHES, TYPE III, 10 INCH	SQ YD	1,400	1,400
44201771	CLASS D PATCHES, TYPE IV, 10 INCH	SQ YD	2,000	2,000
48102100	AGGREGATE WEDGE SHOULDER, TYPE B	TON	5,860	5,860
55039700	STORM SEWERS TO BE CLEANED	FOOT	500	500
60300310	FRAMES AND LIDS TO BE ADJUSTED (SPECIAL)	EACH	15	15
60406000	FRAMES AND LIDS, TYPE 1, OPEN LID	EACH	3	3
60406100	FRAMES AND LIDS, TYPE 1, CLOSED LID	EACH	3	3

• DENOTES SPECIALTY ITEM

SUMMARY OF QUANTITIES			URBAN 100% STATE	CONSTRUCTION TYPE CODE
CODE NO.	DESCRIPTION	UNIT	TOTAL QUANTITY	ROADWAY 1000
67000400	ENGINEER'S FIELD OFFICE, TYPE A	CAL MO	6	6
67100100	MOBILIZATION	L SUM	1	1
70100450	TRAFFIC CONTROL AND PROTECTION, STANDARD 701201	L SUM	1	1
70100460	TRAFFIC CONTROL AND PROTECTION, STANDARD 701306	L SUM	1	1
70300100	SHORT-TERM PAVEMENT MARKING	FOOT	35,400	35,400
70300210	TEMPORARY PAVEMENT MARKING - LETTERS AND SYMBOLS	SQ FT	840	840
70300220	TEMPORARY PAVEMENT MARKING - LINE 4"	FOOT	186,000	186,000
70300240	TEMPORARY PAVEMENT MARKING - LINE 6"	FOOT	3,600	3,600
70300260	TEMPORARY PAVEMENT MARKING - LINE 12"	FOOT	1,950	1,950
70300280	TEMPORARY PAVEMENT MARKING - LINE 24"	FOOT	780	780
70301000	WORK ZONE PAVEMENT MARKING REMOVAL	SQ FT	22,800	22,800
78000100	THERMOPLASTIC PAVEMENT MARKING - LETTERS AND SYMBOLS	SQ FT	280	280
78000200	THERMOPLASTIC PAVEMENT MARKING - LINE 4"	FOOT	177,500	177,500
78000400	THERMOPLASTIC PAVEMENT MARKING - LINE 6"	FOOT	1,200	1,200
78000600	THERMOPLASTIC PAVEMENT MARKING - LINE 12"	FOOT	650	650
78000650	THERMOPLASTIC PAVEMENT MARKING - LINE 24"	FOOT	260	260
78100100	RAISED REFLECTIVE PAVEMENT MARKER	EACH	1,570	1,570
78300200	RAISED REFLECTIVE PAVEMENT MARKER REMOVAL	EACH	1,500	1,500
88600600	DETECTOR LOOP REPLACEMENT	FOOT	150	150
X0322256	TEMPORARY INFORMATION SIGNING	SQ FT	52	52
X4067107	POLYMERIZED LEVELING BINDER (MACHINE METHOD), IL-4.75, N50	TON	11,300	11,300
Z0018500	DRAINAGE STRUCTURES TO BE CLEANED	EACH	15	15
Z0048665	RAILROAD PROTECTIVE LIABILITY INSURANCE	L SUM	1	1

FILE NAME = N:\PROJ\3368\3368-21\Design\ProcessPlan\3368-21-02-Quantities.dgn



Ciorba Group, Inc.
CONSULTING ENGINEERS
5507 North Cumberland Avenue, Suite 402
Chicago, Illinois 60656
Tel. 773.775.4009 Fax 773.775.4014

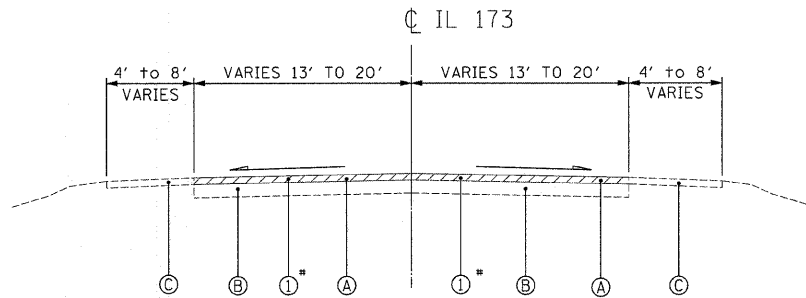
USER NAME = elau	DESIGNED - EPS	REVISED -
	DRAWN - EPS	REVISED -
PLOT SCALE = 1/8" = 1' IN.	CHECKED - WBL	REVISED -
PLOT DATE = 4/21/2009	DATE - 4/22/09	REVISED -

**STATE OF ILLINOIS
DEPARTMENT OF TRANSPORTATION**

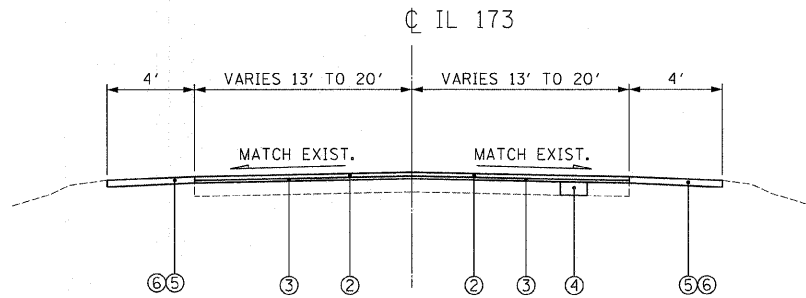
**IL 173
ALDEN ROAD TO US 12
SUMMARY OF QUANTITIES**

SCALE: SHEET NO. 3 OF 36 SHEETS STA. TO STA.

F.A.P. RTE. 303	SECTION (132, 133 & 134) RS-5	COUNTY MCHENRY	TOTAL SHEETS 36	SHEET NO. 3
FED. ROAD DIST. NO. 1 ILLINOIS FED. AID PROJECT			CONTRACT NO. 62496	



EXISTING TYPICAL SECTION
 STA. 105+18 TO STA. 242+91
 STA. 243+68 TO STA. 585+51
 STA. 586+30 TO STA. 680+63
 STA. 682+17 TO STA. 697+96



PROPOSED TYPICAL SECTION
 STA. 105+18 TO STA. 242+91
 STA. 243+68 TO STA. 585+51
 STA. 586+30 TO STA. 680+63
 STA. 682+17 TO STA. 697+96

EXISTING CONDITIONS:

- (A) HOT-MIX ASPHALT SURFACE AND BINDER COURSE, 3" AND VARIES
- (B) HOT-MIX ASPHALT BASE COURSE, 9"
- (C) AGGREGATE SHOULDER

PROPOSED IMPROVEMENTS:

- (1) HOT-MIX ASPHALT SURFACE REMOVAL, 2 1/4"
- (2) HOT-MIX ASPHALT SURFACE COURSE, MIX "D", N70, 1 1/2"
- (3) POLYMERIZED LEVELING BINDER (MACHINE METHOD), IL-4.75, N50, 3/4"
- (4) CLASS D PATCHES, 10" (DETERMINED BY ENGINEER IN FIELD)
- (5) AGGREGATE WEDGE SHOULDER, TYPE B
- (6) GRADING AND SHAPING SHOULDERS

A QUANTITY FOR LEVELING BINDER (HAND METHOD) HAS BEEN PROVIDED FOR USE AT ENTRANCES AFTER GRINDING OF EXISTING PAVEMENT.

* THE CONTRACTOR SHALL MILL FIRST BEFORE PATCHING

HOT-MIX ASPHALT MIXTURE REQUIREMENTS CHART

OPERATIONS	MIXTURE TYPE	AC TYPE	PERCENT AIR VOIDS
ROADWAY RESURFACING	HOT-MIX ASPHALT SURFACE COURSE, MIX "D", N70 (IL-9.5MM)	PG 64-22	4% @ 70 GYR
	POLYMERIZED LEVELING BINDER (MACHINE METHOD), IL-4.75, N50	SBS/SBR PG 76-28/-22	4% @ 50 GYR
MAINTENANCE OF TRAFFIC	LEVELING BINDER (HAND METHOD), N70 (IL-9.5MM)	PG 64-22 *	4% @ 70 GYR
PAVEMENT PATCHING	CLASS D PATCHES, 10" (HMA BINDER IL-19 MM)	PG 64-22 *	4% @ 70 GYR
DRIVES BEHIND CURB	HOT-MIX ASPHALT SURFACE COURSE MIX "C" N50 (IL-9.5MM) 2" THICKNESS	PG 64-22	4% @ 50 GYR
	HOT-MIX ASPHALT BASE COURSE, 8" (HMA BINDER IL-19 MM)	PG 64-22 *	4% @ 50 GYR

THE UNIT WEIGHT USED TO CALCULATE ALL HMA SURFACE MIXTURE QUANTITIES IS 112 LBS/SQ YD/IN.

* WHEN RAP EXCEEDS 20%, THE NEW ASPHALT BINDER IN THE MIX SHALL BE PG 58-22.

FILE NAME = N:\PROJ\3265\3265_21\Drawings\Proposed\173\3265_21-04-Typical Sections.dgn

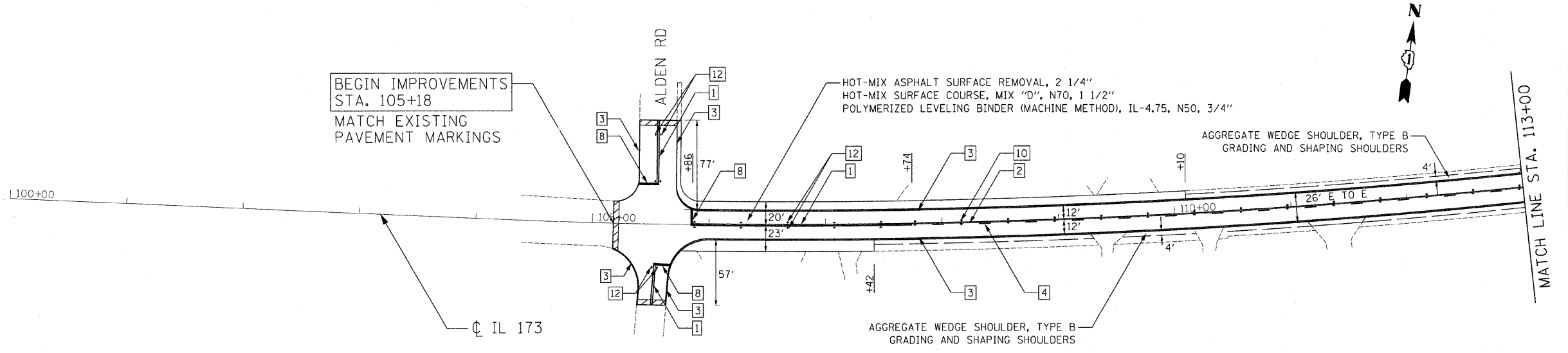
CG Ciorba Group, Inc.
 CONSULTING ENGINEERS
 5507 North Cumberland Avenue, Suite 402
 Chicago, Illinois 60656
 Tel. 773.775.4009 Fax 773.775.4014

USER NAME = elou	DESIGNED - EPS	REVISED -
	DRAWN - EPS	REVISED -
PLOT SCALE = 5.0000 "/ IN.	CHECKED - WBL	REVISED -
PLOT DATE = 4/21/2009	DATE - 4/22/09	REVISED -

**STATE OF ILLINOIS
 DEPARTMENT OF TRANSPORTATION**

IL 173 ALDEN ROAD TO US 12 TYPICAL SECTIONS	
SCALE: N.T.S.	SHEET NO. 4 OF 36 SHEETS
STA.	TO STA.

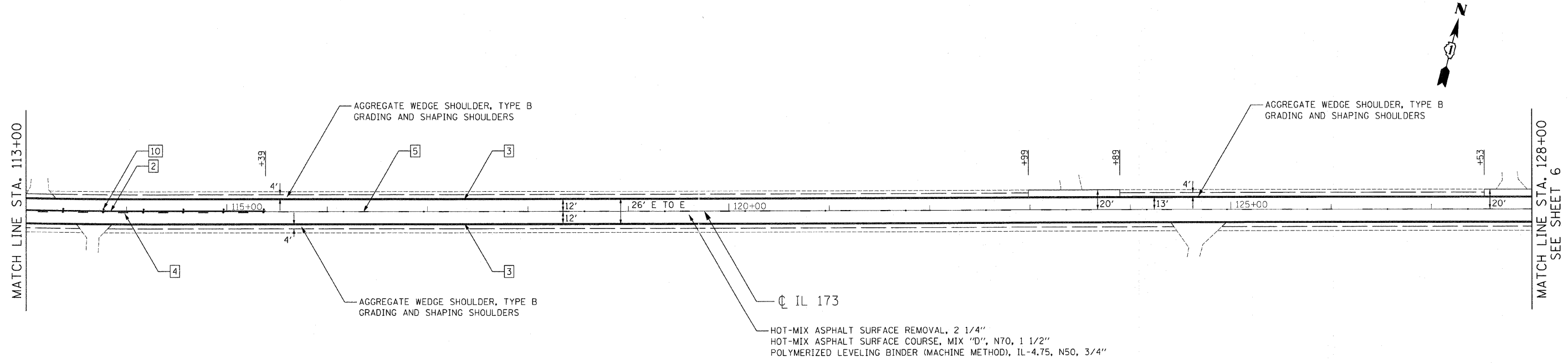
F.A.P. RTE.	SECTION	COUNTY	TOTAL SHEETS	SHEET NO.
303	(132, 133 & 134) RS-5	MCHENRY	36	4
FED. ROAD DIST. NO. 1 ILLINOIS FED. AID PROJECT			CONTRACT NO. 62496	



HOT-MIX ASPHALT SURFACE REMOVAL - BUTT JOINT
TEMPORARY RAMP

LEGEND:

- | | |
|---|---|
| <p>1 THERMOPLASTIC PAVEMENT MARKING - LINE 4" (DOUBLE YELLOW SOLID LINE 11" C-C)</p> <p>2 THERMOPLASTIC PAVEMENT MARKING - LINE 4" (YELLOW SOLID LINE)</p> <p>3 THERMOPLASTIC PAVEMENT MARKING - LINE 4" (WHITE EDGE LINE)</p> <p>4 THERMOPLASTIC PAVEMENT MARKING - LINE 4" (YELLOW LANE LINE - 10' DASH, 30' SKIP) WITH RAISED REFLECTIVE PAVEMENT MARKERS (1 TWO-WAY AMBER MARKER) (40' C-C)</p> <p>5 THERMOPLASTIC PAVEMENT MARKING - LINE 4" (YELLOW LANE LINE - 10' DASH, 30' SKIP) WITH RAISED REFLECTIVE PAVEMENT MARKERS (1 TWO-WAY AMBER MARKER) (80' C-C)</p> <p>6 THERMOPLASTIC PAVEMENT MARKING - LINE 6" (WHITE SOLID LINE)</p> | <p>7 THERMOPLASTIC PAVEMENT MARKING - LINE 12" (YELLOW DIAGONAL LINE)</p> <p>8 THERMOPLASTIC PAVEMENT MARKING - LINE 24" (WHITE STOP LINE)</p> <p>9 THERMOPLASTIC PAVEMENT MARKING - LETTERS AND SYMBOLS (TYP.)</p> <p>10 RAISED REFLECTIVE PAVEMENT MARKERS (ONE-WAY AMBER MARKER) (40' C-C)</p> <p>11 RAISED REFLECTIVE PAVEMENT MARKERS (ONE-WAY AMBER MARKER) (80' C-C)</p> <p>12 RAISED REFLECTIVE PAVEMENT MARKERS (TWO-WAY AMBER MARKER) (40' C-C)</p> <p>13 RAISED REFLECTIVE PAVEMENT MARKERS (TWO-WAY AMBER MARKER) (80' C-C)</p> <p>14 RAISED REFLECTIVE PAVEMENT MARKERS (ONE-WAY CRYSTAL MARKER) (40' C-C)</p> |
|---|---|



HOT-MIX ASPHALT SURFACE REMOVAL - BUTT JOINT
TEMPORARY RAMP

FILE NAME: m:\p\2\13368\13368_21\design\proposals\13368_21\Prop01.dgn

Ciorba Group, Inc.
CONSULTING ENGINEERS
5507 North Cumberland Avenue, Suite 402
Chicago, Illinois 60656
Tel. 773.775.4009 Fax 773.775.4014

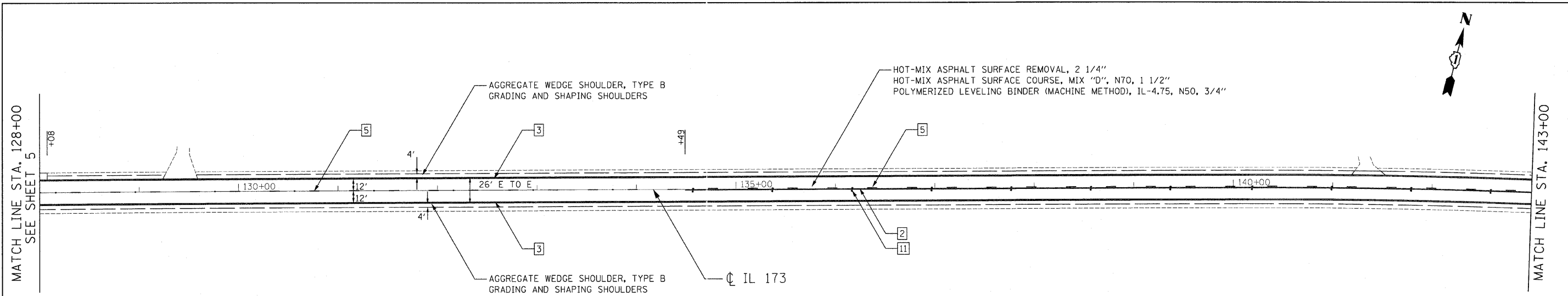
USER NAME = oleu	DESIGNED - DD	REVISED -
DRAWN - RJR	CHECKED - SNS	DATE - 4/22/09
PLOT SCALE = 50,0000' / IN.	PLOT DATE = 4/21/2009	


**STATE OF ILLINOIS
DEPARTMENT OF TRANSPORTATION**

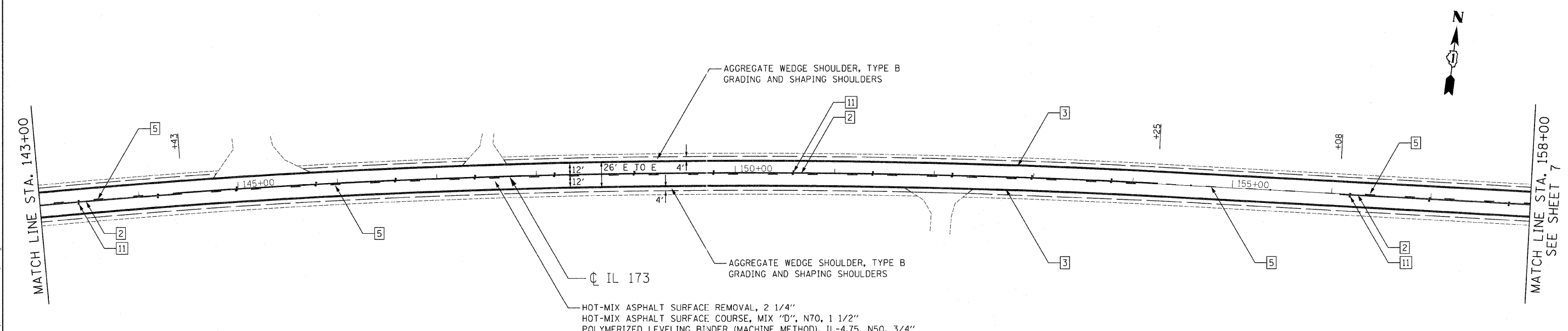
**IL 173
ALDEN ROAD TO US 12
PROPOSED ROADWAY AND PAVEMENT MARKING PLAN**

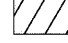
SCALE: 1"=50' SHEET NO. 5 OF 36 SHEETS STA. 100+00 TO STA. 128+00


F.A.P. RTE.	SECTION	COUNTY	TOTAL SHEETS	SHEET NO.
303	(132, 133 & 134) RS-5	MCHENRY	36	5
CONTRACT NO. 62496			FED. ROAD DIST. NO. 1 ILLINOIS FED. AID PROJECT	



- LEGEND:**
- | | | | |
|---|---|----|---|
| 1 | THERMOPLASTIC PAVEMENT MARKING - LINE 4" (DOUBLE YELLOW SOLID LINE 11" C-C) | 7 | THERMOPLASTIC PAVEMENT MARKING - LINE 12" (YELLOW DIAGONAL LINE) |
| 2 | THERMOPLASTIC PAVEMENT MARKING - LINE 4" (YELLOW SOLID LINE) | 8 | THERMOPLASTIC PAVEMENT MARKING - LINE 24" (WHITE STOP LINE) |
| 3 | THERMOPLASTIC PAVEMENT MARKING - LINE 4" (WHITE EDGE LINE) | 9 | THERMOPLASTIC PAVEMENT MARKING - LETTERS AND SYMBOLS (TYP.) |
| 4 | THERMOPLASTIC PAVEMENT MARKING - LINE 4" (YELLOW LANE LINE - 10' DASH, 30' SKIP) WITH RAISED REFLECTIVE PAVEMENT MARKERS (1 TWO-WAY AMBER MARKER) (40' C-C) | 10 | RAISED REFLECTIVE PAVEMENT MARKERS (ONE-WAY AMBER MARKER) (40' C-C) |
| 5 | THERMOPLASTIC PAVEMENT MARKING - LINE 4" (YELLOW LANE LINE - 10' DASH, 30' SKIP) WITH RAISED REFLECTIVE PAVEMENT MARKERS (1 TWO-WAY AMBER MARKER) (80' C-C) | 11 | RAISED REFLECTIVE PAVEMENT MARKERS (TWO-WAY AMBER MARKER) (80' C-C) |
| 6 | THERMOPLASTIC PAVEMENT MARKING - LINE 6" (WHITE SOLID LINE) | 12 | RAISED REFLECTIVE PAVEMENT MARKERS (TWO-WAY AMBER MARKER) (40' C-C) |
| | | 13 | RAISED REFLECTIVE PAVEMENT MARKERS (TWO-WAY AMBER MARKER) (80' C-C) |
| | | 14 | RAISED REFLECTIVE PAVEMENT MARKERS (ONE-WAY CRYSTAL MARKER) (40' C-C) |
-  HOT-MIX ASPHALT SURFACE REMOVAL - BUTT JOINT TEMPORARY RAMP

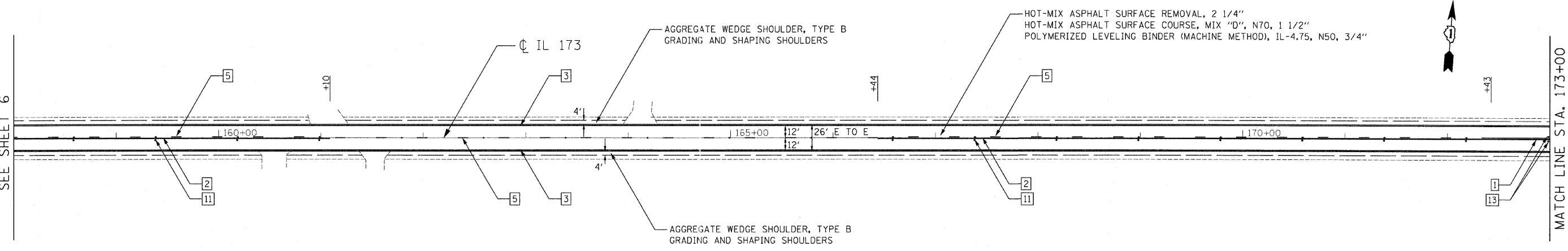


 HOT-MIX ASPHALT SURFACE REMOVAL - BUTT JOINT TEMPORARY RAMP

 Ciorba Group, Inc. CONSULTING ENGINEERS 5507 North Cumberland Avenue, Suite 402 Chicago, Illinois 60656 Tel. 773.775.4000 Fax 773.775.4014	USER NAME = oia	DESIGNED - DD	REVISED -	STATE OF ILLINOIS DEPARTMENT OF TRANSPORTATION	IL 173 ALDEN ROAD TO US 12 PROPOSED ROADWAY AND PAVEMENT MARKING PLAN	F.A.P. RTE. = 303	SECTION = (132, 133 & 134) RS-5	COUNTY = MCHENRY	TOTAL SHEETS = 36	SHEET NO. = 6
	PLOT SCALE = 50.0000' / IN.	CHECKED - SNS	REVISED -			SCALE: 1"=50'	SHEET NO. 6 OF 36 SHEETS	STA. 128+00 TO STA. 158+00	CONTRACT NO. 62496	
	PLOT DATE = 4/21/2009	DATE = 4/22/09	REVISED -	FED. ROAD DIST. NO. 1 ILLINOIS FED. AID PROJECT						

FILE NAME: c:\prow\3328\3328_21\vdgagn\propose\p1\3328_21-prop02.dgn

MATCH LINE STA. 158+00
SEE SHEET 6

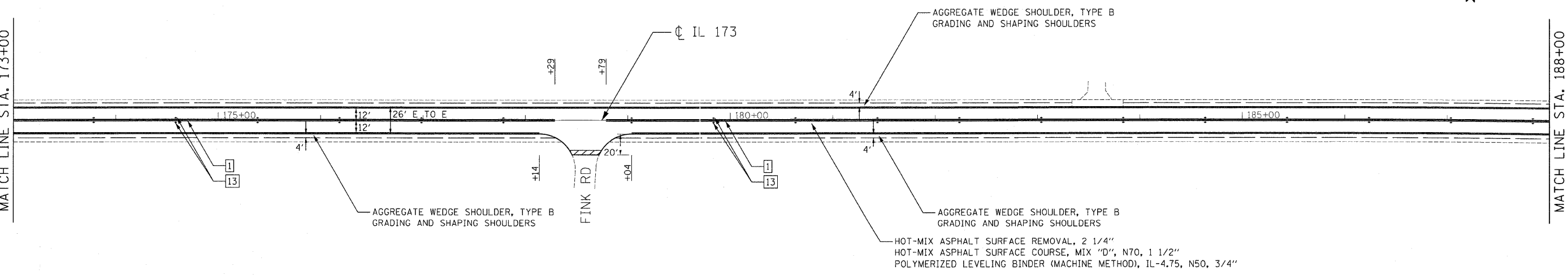


HOT-MIX ASPHALT SURFACE REMOVAL - BUTT JOINT
TEMPORARY RAMP

LEGEND:

- | | |
|---|---|
| <p>1 THERMOPLASTIC PAVEMENT MARKING - LINE 4" (DOUBLE YELLOW SOLID LINE 11" C-C)</p> <p>2 THERMOPLASTIC PAVEMENT MARKING - LINE 4" (YELLOW SOLID LINE)</p> <p>3 THERMOPLASTIC PAVEMENT MARKING - LINE 4" (WHITE EDGE LINE)</p> <p>4 THERMOPLASTIC PAVEMENT MARKING - LINE 4" (YELLOW LANE LINE - 10' DASH, 30' SKIP) WITH RAISED REFLECTIVE PAVEMENT MARKERS (1 TWO-WAY AMBER MARKER) (40' C-C)</p> <p>5 THERMOPLASTIC PAVEMENT MARKING - LINE 4" (YELLOW LANE LINE - 10' DASH, 30' SKIP) WITH RAISED REFLECTIVE PAVEMENT MARKERS (1 TWO-WAY AMBER MARKER) (80' C-C)</p> <p>6 THERMOPLASTIC PAVEMENT MARKING - LINE 6" (WHITE SOLID LINE)</p> | <p>7 THERMOPLASTIC PAVEMENT MARKING - LINE 12" (YELLOW DIAGONAL LINE)</p> <p>8 THERMOPLASTIC PAVEMENT MARKING - LINE 24" (WHITE STOP LINE)</p> <p>9 THERMOPLASTIC PAVEMENT MARKING - LETTERS AND SYMBOLS (TYP.)</p> <p>10 RAISED REFLECTIVE PAVEMENT MARKERS (ONE-WAY AMBER MARKER) (40' C-C)</p> <p>11 RAISED REFLECTIVE PAVEMENT MARKERS (ONE-WAY AMBER MARKER) (80' C-C)</p> <p>12 RAISED REFLECTIVE PAVEMENT MARKERS (TWO-WAY AMBER MARKER) (40' C-C)</p> <p>13 RAISED REFLECTIVE PAVEMENT MARKERS (TWO-WAY AMBER MARKER) (80' C-C)</p> <p>14 RAISED REFLECTIVE PAVEMENT MARKERS (ONE-WAY CRYSTAL MARKER) (40' C-C)</p> |
|---|---|

MATCH LINE STA. 173+00



HOT-MIX ASPHALT SURFACE REMOVAL - BUTT JOINT
TEMPORARY RAMP

FILE NAME: s:\p\proj\3358\3358_21\design\propose\blen\3358_21-Prop02.dgn

Ciorba Group, Inc.
CONSULTING ENGINEERS
5507 North Cumberland Avenue, Suite 402
Chicago, Illinois 60656
Tel 773.775.4000 Fax 773.775.4014

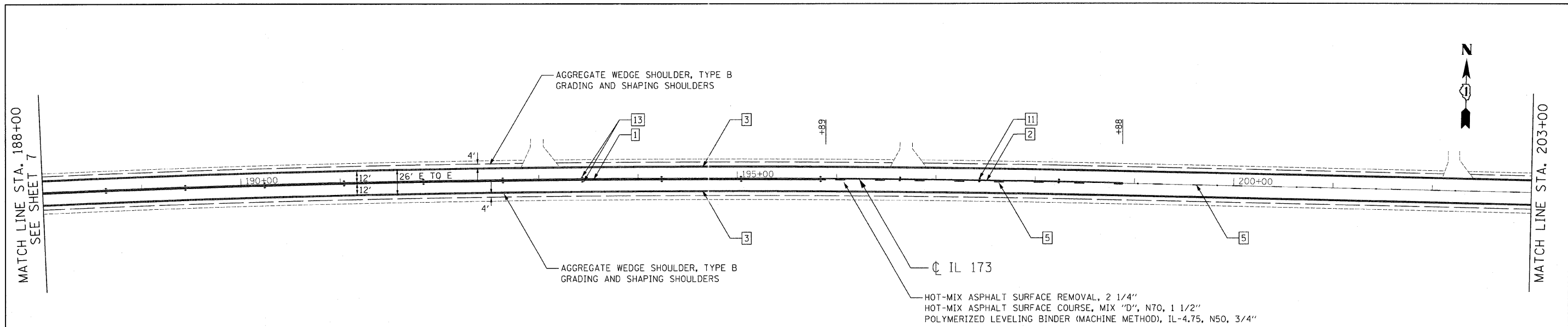
USER NAME = olau	DESIGNED - DD	REVISED -
DRAWN - RJR	REVISED -	
PLOT SCALE = 50.0000' / IN.	CHECKED - SNS	REVISED -
PLOT DATE = 4/21/2009	DATE - 4/22/09	REVISED -

**STATE OF ILLINOIS
DEPARTMENT OF TRANSPORTATION**

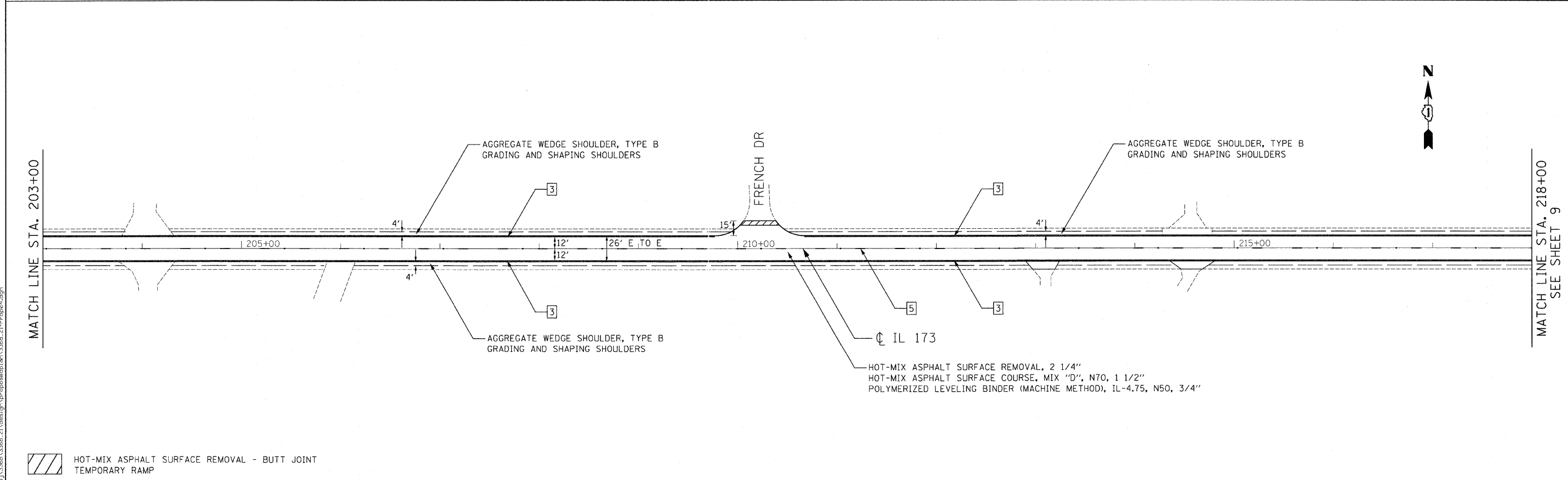
**IL 173
ALDEN ROAD TO US 12
PROPOSED ROADWAY AND PAVEMENT MARKING PLAN**

SCALE: 1"=50' SHEET NO. 7 OF 36 SHEETS STA. 158+00 TO STA. 188+00

F.A.P. RTE. 303	SECTION (132, 133 & 134) RS-5	COUNTY MCHENRY	TOTAL SHEETS 36	SHEET NO. 7
CONTRACT NO. 62496				FED. ROAD DIST. NO. 1 ILLINOIS FED. AID PROJECT



- LEGEND:**
- | | | | |
|---|---|----|---|
| 1 | THERMOPLASTIC PAVEMENT MARKING - LINE 4" (DOUBLE YELLOW SOLID LINE 11" C-C) | 7 | THERMOPLASTIC PAVEMENT MARKING - LINE 12" (YELLOW DIAGONAL LINE) |
| 2 | THERMOPLASTIC PAVEMENT MARKING - LINE 4" (YELLOW SOLID LINE) | 8 | THERMOPLASTIC PAVEMENT MARKING - LINE 24" (WHITE STOP LINE) |
| 3 | THERMOPLASTIC PAVEMENT MARKING - LINE 4" (WHITE EDGE LINE) | 9 | THERMOPLASTIC PAVEMENT MARKING - LETTERS AND SYMBOLS (TYP.) |
| 4 | THERMOPLASTIC PAVEMENT MARKING - LINE 4" (YELLOW LANE LINE - 10' DASH, 30' SKIP) WITH RAISED REFLECTIVE PAVEMENT MARKERS (1 TWO-WAY AMBER MARKER) (40' C-C) | 10 | RAISED REFLECTIVE PAVEMENT MARKERS (ONE-WAY AMBER MARKER) (40' C-C) |
| 5 | THERMOPLASTIC PAVEMENT MARKING - LINE 4" (YELLOW LANE LINE - 10' DASH, 30' SKIP) WITH RAISED REFLECTIVE PAVEMENT MARKERS (1 TWO-WAY AMBER MARKER) (80' C-C) | 11 | RAISED REFLECTIVE PAVEMENT MARKERS (ONE-WAY AMBER MARKER) (80' C-C) |
| 6 | THERMOPLASTIC PAVEMENT MARKING - LINE 6" (WHITE SOLID LINE) | 12 | RAISED REFLECTIVE PAVEMENT MARKERS (TWO-WAY AMBER MARKER) (40' C-C) |
| | | 13 | RAISED REFLECTIVE PAVEMENT MARKERS (TWO-WAY AMBER MARKER) (80' C-C) |
| | | 14 | RAISED REFLECTIVE PAVEMENT MARKERS (ONE-WAY CRYSTAL MARKER) (40' C-C) |
- HOT-MIX ASPHALT SURFACE REMOVAL - BUTT JOINT
 TEMPORARY RAMP



Ciorba Group, Inc.
 CONSULTING ENGINEERS
 6507 North Cumberland Avenue, Suite 402
 Chicago, Illinois 60656
 Tel. 773.775.4009 Fax 773.775.4014

USER NAME = olau	DESIGNED - DD	REVISED -
DRAWN - RJR	CHECKED - SNS	DATE - 4/22/09
PLOT SCALE = 50.0000' / IN.		
PLOT DATE = 4/21/2009		

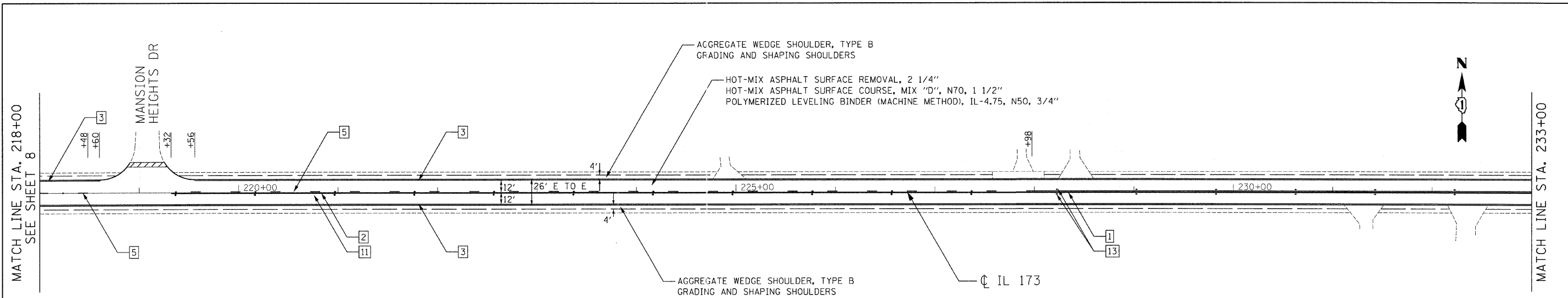
**STATE OF ILLINOIS
 DEPARTMENT OF TRANSPORTATION**

**IL 173
 ALDEN ROAD TO US 12
 PROPOSED ROADWAY AND PAVEMENT MARKING PLAN**

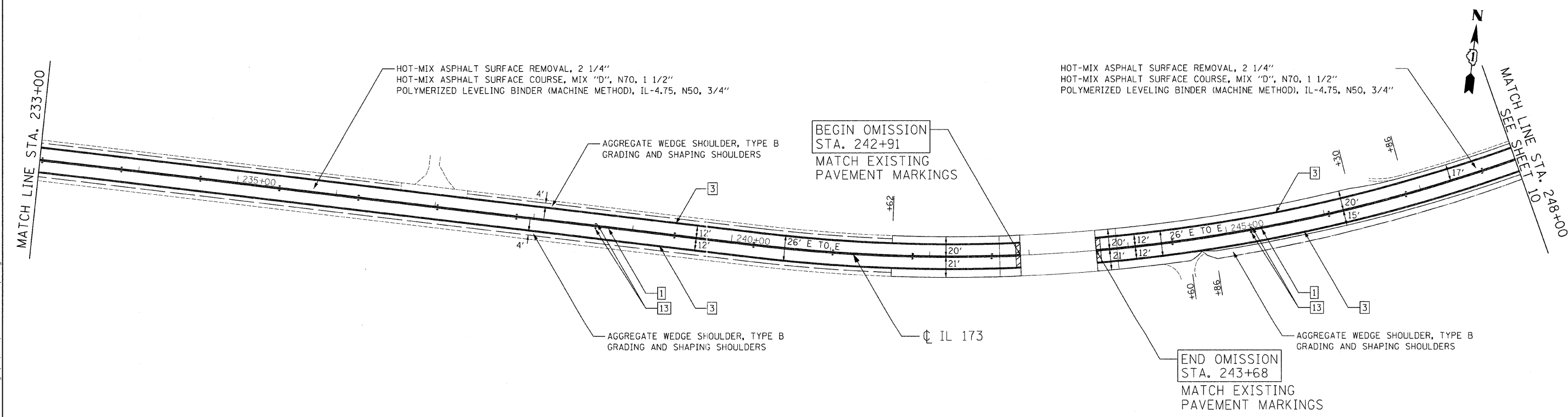
SCALE: 1"=50' SHEET NO. 8 OF 36 SHEETS STA. 188+00 TO STA. 218+00

F.A.P. RTE.	SECTION	COUNTY	TOTAL SHEETS	SHEET NO.
303	(132, 133 & 134) RS-5	MCHENRY	36	8
CONTRACT NO. 62496			FED. ROAD DIST. NO. 1 ILLINOIS FED. AID PROJECT	

FILE NAME: c:\prowj\33266\3266_21\dwg\proposeplan\3266_21-Prop8.dwg



- LEGEND:**
- | | | | |
|---|---|----|---|
| 1 | THERMOPLASTIC PAVEMENT MARKING - LINE 4" (DOUBLE YELLOW SOLID LINE 11" C-C) | 7 | THERMOPLASTIC PAVEMENT MARKING - LINE 12" (YELLOW DIAGONAL LINE) |
| 2 | THERMOPLASTIC PAVEMENT MARKING - LINE 4" (YELLOW SOLID LINE) | 8 | THERMOPLASTIC PAVEMENT MARKING - LINE 24" (WHITE STOP LINE) |
| 3 | THERMOPLASTIC PAVEMENT MARKING - LINE 4" (WHITE EDGE LINE) | 9 | THERMOPLASTIC PAVEMENT MARKING - LETTERS AND SYMBOLS (TYP.) |
| 4 | THERMOPLASTIC PAVEMENT MARKING - LINE 4" (YELLOW LANE LINE - 10' DASH, 30' SKIP) WITH RAISED REFLECTIVE PAVEMENT MARKERS (1 TWO-WAY AMBER MARKER) (40' C-C) | 10 | RAISED REFLECTIVE PAVEMENT MARKERS (ONE-WAY AMBER MARKER) (40' C-C) |
| 5 | THERMOPLASTIC PAVEMENT MARKING - LINE 4" (YELLOW LANE LINE - 10' DASH, 30' SKIP) WITH RAISED REFLECTIVE PAVEMENT MARKERS (1 TWO-WAY AMBER MARKER) (80' C-C) | 11 | RAISED REFLECTIVE PAVEMENT MARKERS (ONE-WAY AMBER MARKER) (80' C-C) |
| 6 | THERMOPLASTIC PAVEMENT MARKING - LINE 6" (WHITE SOLID LINE) | 12 | RAISED REFLECTIVE PAVEMENT MARKERS (TWO-WAY AMBER MARKER) (40' C-C) |
| | | 13 | RAISED REFLECTIVE PAVEMENT MARKERS (TWO-WAY AMBER MARKER) (80' C-C) |
| | | 14 | RAISED REFLECTIVE PAVEMENT MARKERS (ONE-WAY CRYSTAL MARKER) (40' C-C) |
- HOT-MIX ASPHALT SURFACE REMOVAL - BUTT JOINT
 TEMPORARY RAMP

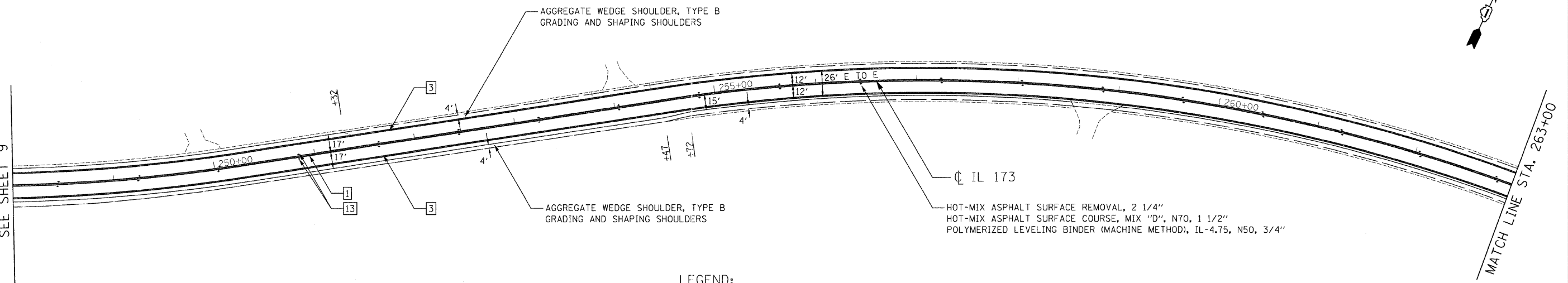


Ciorba Group, Inc. CONSULTING ENGINEERS 5507 North Cumberland Avenue, Suite 402 Chicago, Illinois 60656 Tel. 773.775.4009 Fax 773.775.4014	USER NAME = alou DESIGNED - DD DRAWN - RJR CHECKED - SNS PLOT DATE = 4/21/2009	REVISED - REVISED - REVISED - REVISED -	STATE OF ILLINOIS DEPARTMENT OF TRANSPORTATION		IL 173 ALDEN ROAD TO US 12 PROPOSED ROADWAY AND PAVEMENT MARKING PLAN		F.A.P. RTE. 303 SECTION (132, 133 & 134) RS-5 COUNTY MCHENRY TOTAL SHEETS 36 SHEET NO. 9	CONTRACT NO. 62496 FED. ROAD DIST. NO. 1 ILLINOIS FED. AID PROJECT
	SCALE: 1"=50' SHEET NO. 9 OF 36 SHEETS STA. 218+00 TO STA. 248+00							


FILE NAME: c:\prowj\33265\33265-21\design\proposed\plan\33265-21-prop09.dgn



MATCH LINE STA. 248+00
SEE SHEET 9



MATCH LINE STA. 263+00

 HOT-MIX ASPHALT SURFACE REMOVAL - BUTT JOINT
TEMPORARY RAMP

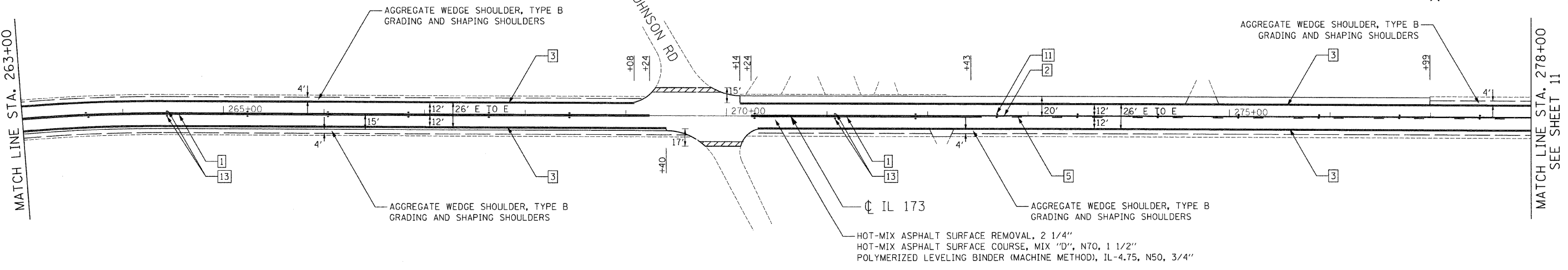
LEGEND:

- 1 THERMOPLASTIC PAVEMENT MARKING - LINE 4" (DOUBLE YELLOW SOLID LINE 11" C-C)
- 2 THERMOPLASTIC PAVEMENT MARKING - LINE 4" (YELLOW SOLID LINE)
- 3 THERMOPLASTIC PAVEMENT MARKING - LINE 4" (WHITE EDGE LINE)
- 4 THERMOPLASTIC PAVEMENT MARKING - LINE 4" (YELLOW LANE LINE - 10' DASH, 30' SKIP) WITH RAISED REFLECTIVE PAVEMENT MARKERS (1 TWO-WAY AMBER MARKER) (40' C-C)
- 5 THERMOPLASTIC PAVEMENT MARKING - LINE 4" (YELLOW LANE LINE - 10' DASH, 30' SKIP) WITH RAISED REFLECTIVE PAVEMENT MARKERS (1 TWO-WAY AMBER MARKER) (80' C-C)
- 6 THERMOPLASTIC PAVEMENT MARKING - LINE 6" (WHITE SOLID LINE)
- 7 THERMOPLASTIC PAVEMENT MARKING - LINE 12" (YELLOW DIAGONAL LINE)
- 8 THERMOPLASTIC PAVEMENT MARKING - LINE 24" (WHITE STOP LINE)
- 9 THERMOPLASTIC PAVEMENT MARKING - LETTERS AND SYMBOLS (TYP.)
- 10 RAISED REFLECTIVE PAVEMENT MARKERS (ONE-WAY AMBER MARKER) (40' C-C)
- 11 RAISED REFLECTIVE PAVEMENT MARKERS (ONE-WAY AMBER MARKER) (80' C-C)
- 12 RAISED REFLECTIVE PAVEMENT MARKERS (TWO-WAY AMBER MARKER) (40' C-C)
- 13 RAISED REFLECTIVE PAVEMENT MARKERS (TWO-WAY AMBER MARKER) (80' C-C)
- 14 RAISED REFLECTIVE PAVEMENT MARKERS (ONE-WAY CRYSTAL MARKER) (40' C-C)


FILE NAME = m:\pco\3358\3358_21\vdagr\vdagr\vdagr\vdagr\3358_21\Prp\prp.dgn



MATCH LINE STA. 263+00



MATCH LINE STA. 278+00
SEE SHEET 11

 HOT-MIX ASPHALT SURFACE REMOVAL - BUTT JOINT
TEMPORARY RAMP

CG Ciorba Group, Inc.
CONSULTING ENGINEERS
8507 North Cumberland Avenue, Suite 402
Chicago, Illinois 60656
Tel. 773.775.4009 Fax 773.775.4014

USER NAME = oiau	DESIGNED - DD	REVISED -
PLOT SCALE = 50.0000' / IN.	DRAWN - RJR	REVISED -
PLOT DATE = 4/21/2009	CHECKED - SNS	REVISED -
	DATE - 4/22/09	REVISED -

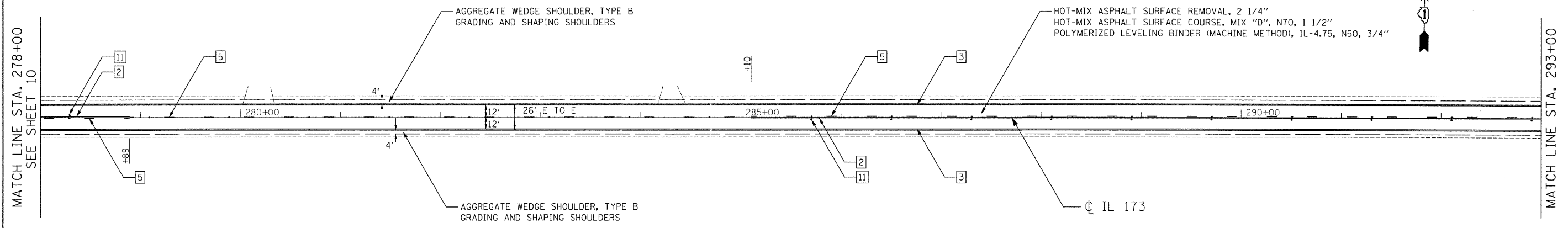
**STATE OF ILLINOIS
DEPARTMENT OF TRANSPORTATION**

**IL 173
ALDEN ROAD TO US 12
PROPOSED ROADWAY AND PAVEMENT MARKING PLAN**

SCALE: 1"=50' SHEET NO. 10 OF 36 SHEETS STA. 248+00 TO STA. 278+00

F.A.P. RTE.	SECTION	COUNTY	TOTAL SHEETS	SHEET NO.
303	(132, 133 & 134) RS-5	MCHENRY	36	10
CONTRACT NO. 62496			FED. ROAD DIST. NO. 1 ILLINOIS FED. AID PROJECT	

MATCH LINE STA. 278+00
SEE SHEET 10



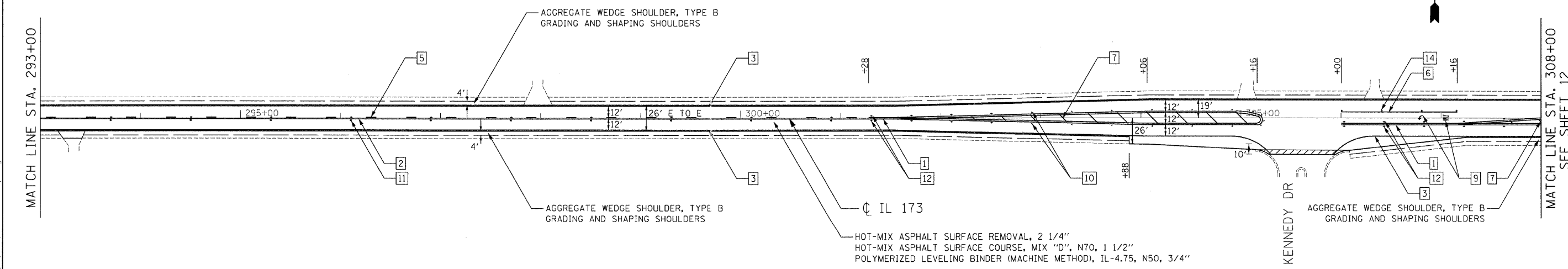
MATCH LINE STA. 293+00

LEGEND:

- | | | | |
|---|---|----|---|
| 1 | THERMOPLASTIC PAVEMENT MARKING - LINE 4" (DOUBLE YELLOW SOLID LINE 11" C-C) | 7 | THERMOPLASTIC PAVEMENT MARKING - LINE 12" (YELLOW DIAGONAL LINE) |
| 2 | THERMOPLASTIC PAVEMENT MARKING - LINE 4" (YELLOW SOLID LINE) | 8 | THERMOPLASTIC PAVEMENT MARKING - LINE 24" (WHITE STOP LINE) |
| 3 | THERMOPLASTIC PAVEMENT MARKING - LINE 4" (WHITE EDGE LINE) | 9 | THERMOPLASTIC PAVEMENT MARKING - LETTERS AND SYMBOLS (TYP.) |
| 4 | THERMOPLASTIC PAVEMENT MARKING - LINE 4" (YELLOW LANE LINE - 10' DASH, 30' SKIP) WITH RAISED REFLECTIVE PAVEMENT MARKERS (1 TWO-WAY AMBER MARKER) (40' C-C) | 10 | RAISED REFLECTIVE PAVEMENT MARKERS (ONE-WAY AMBER MARKER) (40' C-C) |
| 5 | THERMOPLASTIC PAVEMENT MARKING - LINE 4" (YELLOW LANE LINE - 10' DASH, 30' SKIP) WITH RAISED REFLECTIVE PAVEMENT MARKERS (1 TWO-WAY AMBER MARKER) (80' C-C) | 11 | RAISED REFLECTIVE PAVEMENT MARKERS (ONE-WAY AMBER MARKER) (80' C-C) |
| 6 | THERMOPLASTIC PAVEMENT MARKING - LINE 6" (WHITE SOLID LINE) | 12 | RAISED REFLECTIVE PAVEMENT MARKERS (TWO-WAY AMBER MARKER) (40' C-C) |
| | | 13 | RAISED REFLECTIVE PAVEMENT MARKERS (TWO-WAY AMBER MARKER) (80' C-C) |
| | | 14 | RAISED REFLECTIVE PAVEMENT MARKERS (ONE-WAY CRYSTAL MARKER) (40' C-C) |

HOT-MIX ASPHALT SURFACE REMOVAL - BUTT JOINT
TEMPORARY RAMP

MATCH LINE STA. 293+00



MATCH LINE STA. 308+00
SEE SHEET 12

HOT-MIX ASPHALT SURFACE REMOVAL - BUTT JOINT
TEMPORARY RAMP

FILE NAME: s:\p\proj\3368\3368_21\design\proposals\plan\3368_21-P-Prop07.dgn

CG Ciorba Group, Inc.
CONSULTING ENGINEERS
5507 North Cumberland Avenue, Suite 402
Chicago, Illinois 60656
Tel. 773.775.4009 Fax 773.775.4014

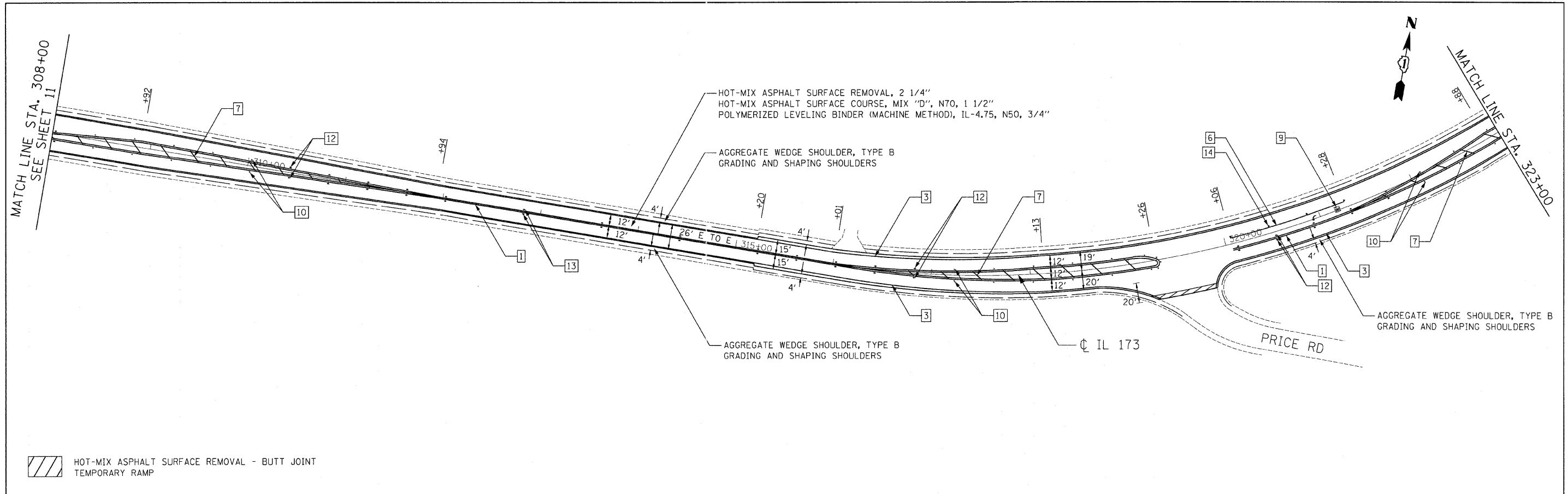
USER NAME = alou	DESIGNED - DD	REVISED -
PLOT SCALE = 50.0000' / IN.	DRAWN - RJR	REVISED -
PLOT DATE = 4/21/2009	CHECKED - SNS	REVISED -
	DATE - 4/22/09	REVISED -

**STATE OF ILLINOIS
DEPARTMENT OF TRANSPORTATION**

**IL 173
ALDEN ROAD TO US 12
PROPOSED ROADWAY AND PAVEMENT MARKING PLAN**

SCALE: 1"=50' SHEET NO. 11 OF 36 SHEETS STA. 278+00 TO STA. 308+00

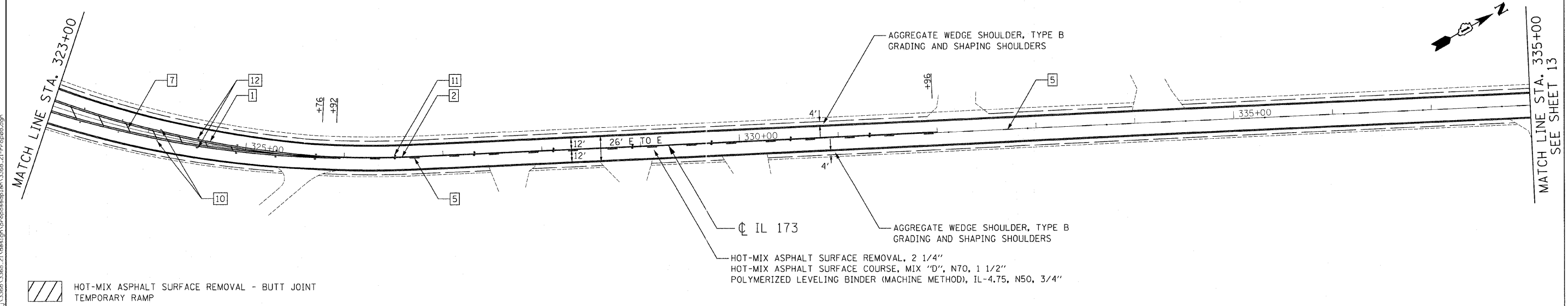
F.A.P. RTE.	SECTION	COUNTY	TOTAL SHEETS	SHEET NO.
303	(132, 133 & 134) RS-5	MCHENRY	36	11
CONTRACT NO. 62496				
FED. ROAD DIST. NO. 1 ILLINOIS FED. AID PROJECT				



HOT-MIX ASPHALT SURFACE REMOVAL - BUTT JOINT
 TEMPORARY RAMP

LEGEND:

- | | |
|---|---|
| <p>1 THERMOPLASTIC PAVEMENT MARKING - LINE 4" (DOUBLE YELLOW SOLID LINE 11" C-C)</p> <p>2 THERMOPLASTIC PAVEMENT MARKING - LINE 4" (YELLOW SOLID LINE)</p> <p>3 THERMOPLASTIC PAVEMENT MARKING - LINE 4" (WHITE EDGE LINE)</p> <p>4 THERMOPLASTIC PAVEMENT MARKING - LINE 4" (YELLOW LANE LINE - 10' DASH, 30' SKIP) WITH RAISED REFLECTIVE PAVEMENT MARKERS (1 TWO-WAY AMBER MARKER) (40' C-C)</p> <p>5 THERMOPLASTIC PAVEMENT MARKING - LINE 4" (YELLOW LANE LINE - 10' DASH, 30' SKIP) WITH RAISED REFLECTIVE PAVEMENT MARKERS (1 TWO-WAY AMBER MARKER) (80' C-C)</p> <p>6 THERMOPLASTIC PAVEMENT MARKING - LINE 6" (WHITE SOLID LINE)</p> | <p>7 THERMOPLASTIC PAVEMENT MARKING - LINE 12" (YELLOW DIAGONAL LINE)</p> <p>8 THERMOPLASTIC PAVEMENT MARKING - LINE 24" (WHITE STOP LINE)</p> <p>9 THERMOPLASTIC PAVEMENT MARKING - LETTERS AND SYMBOLS (TYP.)</p> <p>10 RAISED REFLECTIVE PAVEMENT MARKERS (ONE-WAY AMBER MARKER) (40' C-C)</p> <p>11 RAISED REFLECTIVE PAVEMENT MARKERS (ONE-WAY AMBER MARKER) (80' C-C)</p> <p>12 RAISED REFLECTIVE PAVEMENT MARKERS (TWO-WAY AMBER MARKER) (40' C-C)</p> <p>13 RAISED REFLECTIVE PAVEMENT MARKERS (TWO-WAY AMBER MARKER) (80' C-C)</p> <p>14 RAISED REFLECTIVE PAVEMENT MARKERS (ONE-WAY CRYSTAL MARKER) (40' C-C)</p> |
|---|---|



HOT-MIX ASPHALT SURFACE REMOVAL - BUTT JOINT
 TEMPORARY RAMP

FILE NAME: c:\p\proj\3308\3308_21\del\g\proposals\p13358_21-Prop08.dgn

Ciorba Group, Inc.
 CONSULTING ENGINEERS
 5507 North Cumberland Avenue, Suite 402
 Chicago, Illinois 60656
 Tel. 773.775.4009 Fax 773.775.4014

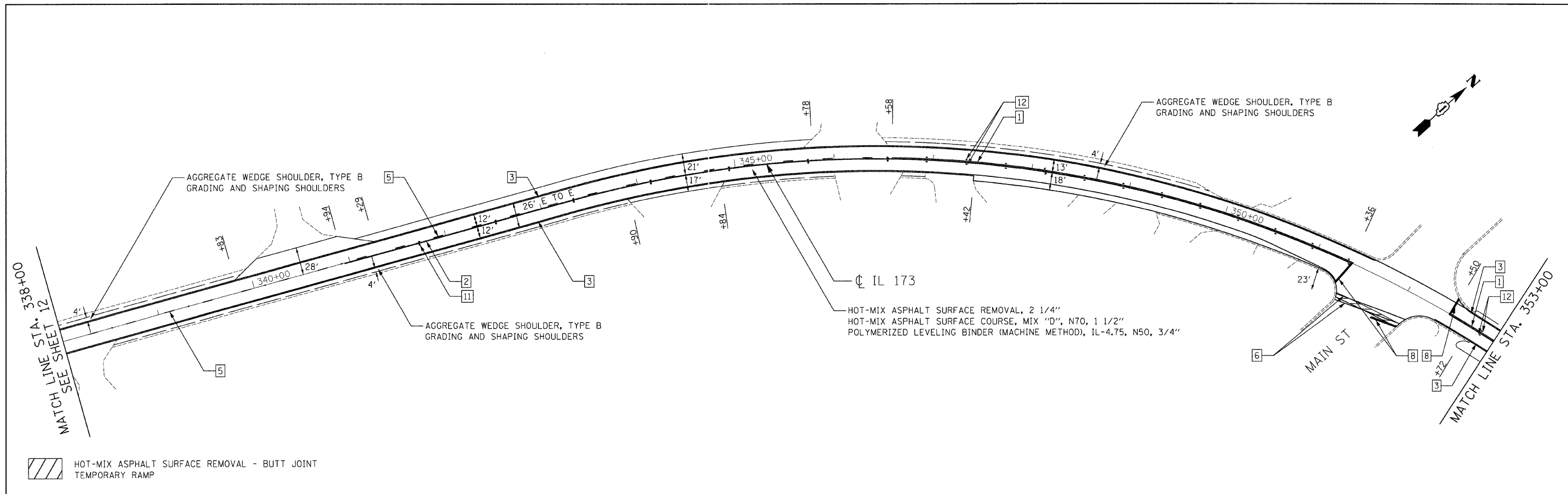
USER NAME = oia	DESIGNED - DD	REVISED -
PLOT SCALE = 50.0000' / IN.	DRAWN - RJR	REVISED -
PLOT DATE = 4/21/2009	CHECKED - SNS	REVISED -
	DATE - 4/22/09	REVISED -

**STATE OF ILLINOIS
 DEPARTMENT OF TRANSPORTATION**

**IL 173
 ALDEN ROAD TO US 12
 PROPOSED ROADWAY AND PAVEMENT MARKING PLAN**

SCALE: 1"=50' SHEET NO. 12 OF 36 SHEETS STA. 308+00 TO STA. 338+00

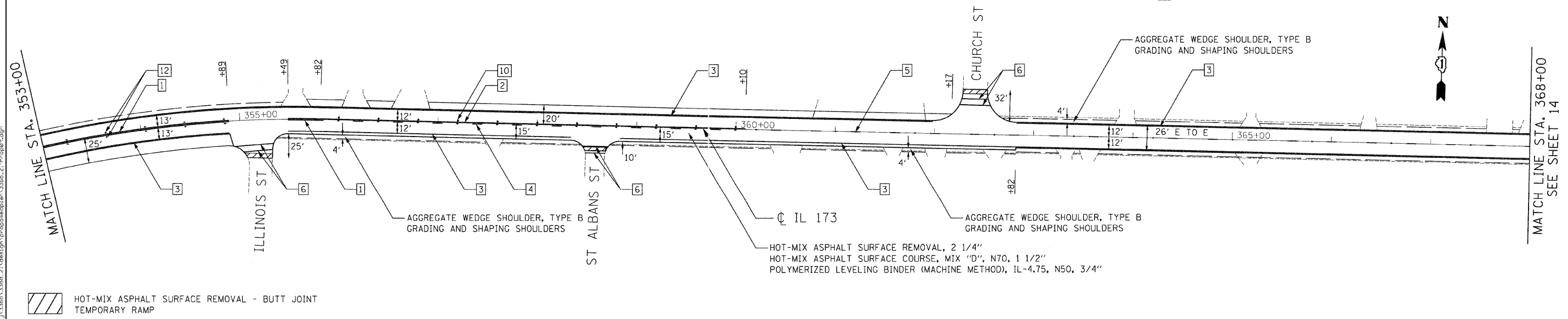
F.A.P. RTE.	SECTION	COUNTY	TOTAL SHEETS	SHEET NO.
303	(132, 133 & 134) RS-5	MCHENRY	36	12
CONTRACT NO. 62496				
FED. ROAD DIST. NO. 1 ILLINOIS FED. AID PROJECT				



HOT-MIX ASPHALT SURFACE REMOVAL - BUTT JOINT TEMPORARY RAMP

LEGEND:

- | | |
|---|---|
| <p>1 THERMOPLASTIC PAVEMENT MARKING - LINE 4" (DOUBLE YELLOW SOLID LINE 11" C-C)</p> <p>2 THERMOPLASTIC PAVEMENT MARKING - LINE 4" (YELLOW SOLID LINE)</p> <p>3 THERMOPLASTIC PAVEMENT MARKING - LINE 4" (WHITE EDGE LINE)</p> <p>4 THERMOPLASTIC PAVEMENT MARKING - LINE 4" (YELLOW LANE LINE - 10' DASH, 30' SKIP) WITH RAISED REFLECTIVE PAVEMENT MARKERS (1 TWO-WAY AMBER MARKER) (40' C-C)</p> <p>5 THERMOPLASTIC PAVEMENT MARKING - LINE 4" (YELLOW LANE LINE - 10' DASH, 30' SKIP) WITH RAISED REFLECTIVE PAVEMENT MARKERS (1 TWO-WAY AMBER MARKER) (80' C-C)</p> <p>6 THERMOPLASTIC PAVEMENT MARKING - LINE 6" (WHITE SOLID LINE)</p> | <p>7 THERMOPLASTIC PAVEMENT MARKING - LINE 12" (YELLOW DIAGONAL LINE)</p> <p>8 THERMOPLASTIC PAVEMENT MARKING - LINE 24" (WHITE STOP LINE)</p> <p>9 THERMOPLASTIC PAVEMENT MARKING - LETTERS AND SYMBOLS (TYP.)</p> <p>10 RAISED REFLECTIVE PAVEMENT MARKERS (ONE-WAY AMBER MARKER) (40' C-C)</p> <p>11 RAISED REFLECTIVE PAVEMENT MARKERS (ONE-WAY AMBER MARKER) (80' C-C)</p> <p>12 RAISED REFLECTIVE PAVEMENT MARKERS (TWO-WAY AMBER MARKER) (40' C-C)</p> <p>13 RAISED REFLECTIVE PAVEMENT MARKERS (TWO-WAY AMBER MARKER) (80' C-C)</p> <p>14 RAISED REFLECTIVE PAVEMENT MARKERS (ONE-WAY CRYSTAL MARKER) (40' C-C)</p> |
|---|---|



HOT-MIX ASPHALT SURFACE REMOVAL - BUTT JOINT TEMPORARY RAMP

FILE NAME: c:\prow\3386\3386-21\design\proposals\3386-21-prop.dwg

Ciorba Group, Inc.
 CONSULTING ENGINEERS
 5507 North Cumberland Avenue, Suite 402
 Chicago, Illinois 60656
 Tel. 773.775.4009 Fax 773.775.4014

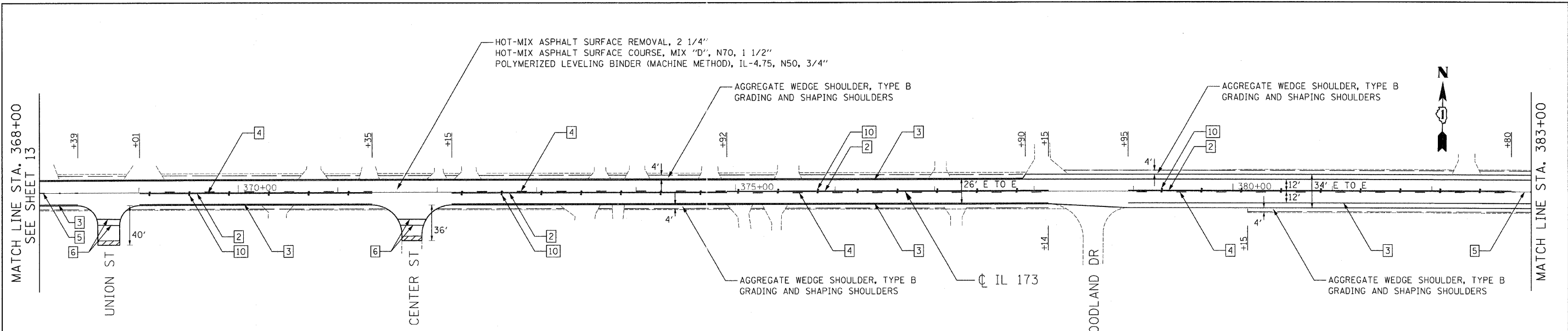
USER NAME = oia	DESIGNED - DD	REVISED -
PLOT SCALE = 50.0000' / IN.	DRAWN - RJR	REVISED -
PLOT DATE = 4/21/2009	CHECKED - SNS	REVISED -
	DATE - 4/22/09	REVISED -

**STATE OF ILLINOIS
 DEPARTMENT OF TRANSPORTATION**

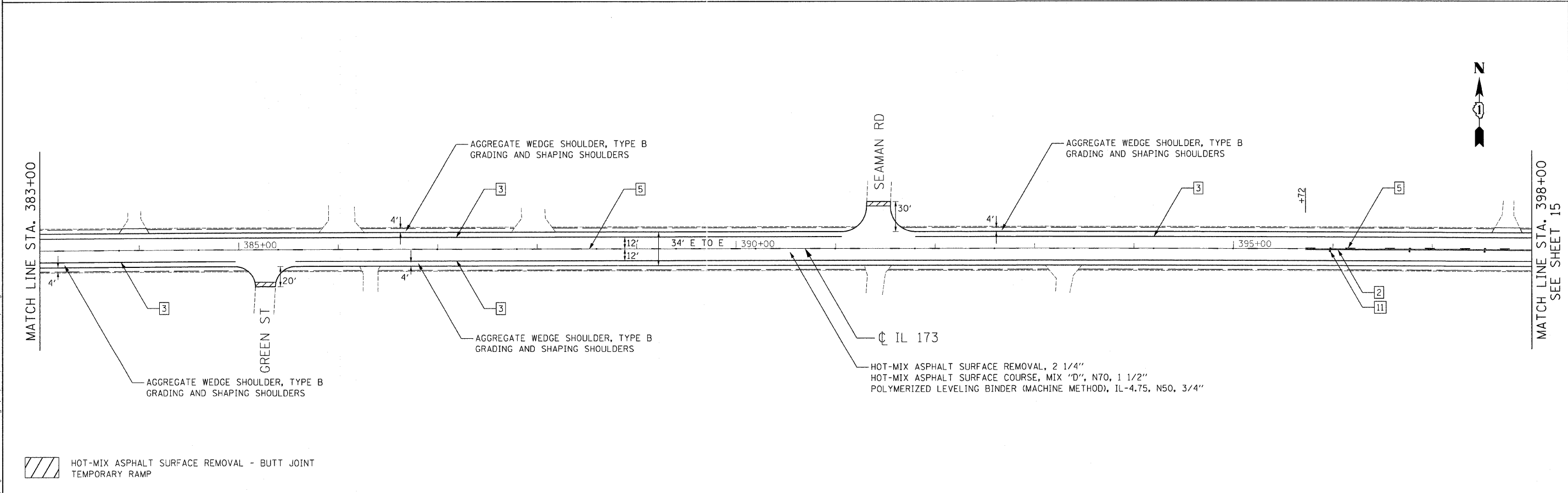
**IL 173
 ALDEN ROAD TO US 12
 PROPOSED ROADWAY AND PAVEMENT MARKING PLAN**

SCALE: 1"=50' SHEET NO. 13 OF 36 SHEETS STA. 338+00 TO STA. 368+00

F.A.P. RTE.	SECTION	COUNTY	TOTAL SHEETS	SHEET NO.
303	(132, 133 & 134) RS-5	MCHENRY	36	13
CONTRACT NO. 62496				
FED. ROAD DIST. NO. 1 ILLINOIS FED. AID PROJECT				



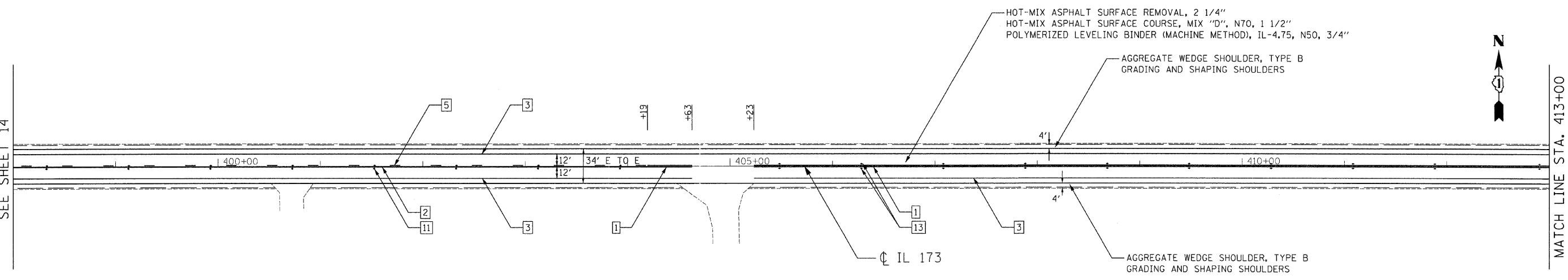
- LEGEND:**
- | | | | |
|---|---|----|---|
| 1 | THERMOPLASTIC PAVEMENT MARKING - LINE 4" (DOUBLE YELLOW SOLID LINE 11" C-C) | 7 | THERMOPLASTIC PAVEMENT MARKING - LINE 12" (YELLOW DIAGONAL LINE) |
| 2 | THERMOPLASTIC PAVEMENT MARKING - LINE 4" (YELLOW SOLID LINE) | 8 | THERMOPLASTIC PAVEMENT MARKING - LINE 24" (WHITE STOP LINE) |
| 3 | THERMOPLASTIC PAVEMENT MARKING - LINE 4" (WHITE EDGE LINE) | 9 | THERMOPLASTIC PAVEMENT MARKING - LETTERS AND SYMBOLS (TYP.) |
| 4 | THERMOPLASTIC PAVEMENT MARKING - LINE 4" (YELLOW LANE LINE - 10' DASH, 30' SKIP) WITH RAISED REFLECTIVE PAVEMENT MARKERS (1 TWO-WAY AMBER MARKER) (40' C-C) | 10 | RAISED REFLECTIVE PAVEMENT MARKERS (ONE-WAY AMBER MARKER) (40' C-C) |
| 5 | THERMOPLASTIC PAVEMENT MARKING - LINE 4" (YELLOW LANE LINE - 10' DASH, 30' SKIP) WITH RAISED REFLECTIVE PAVEMENT MARKERS (1 TWO-WAY AMBER MARKER) (80' C-C) | 11 | RAISED REFLECTIVE PAVEMENT MARKERS (ONE-WAY AMBER MARKER) (80' C-C) |
| 6 | THERMOPLASTIC PAVEMENT MARKING - LINE 6" (WHITE SOLID LINE) | 12 | RAISED REFLECTIVE PAVEMENT MARKERS (TWO-WAY AMBER MARKER) (40' C-C) |
| | | 13 | RAISED REFLECTIVE PAVEMENT MARKERS (TWO-WAY AMBER MARKER) (80' C-C) |
| | | 14 | RAISED REFLECTIVE PAVEMENT MARKERS (ONE-WAY CRYSTAL MARKER) (40' C-C) |
- HOT-MIX ASPHALT SURFACE REMOVAL - BUTT JOINT
 TEMPORARY RAMP



Ciorba Group, Inc. CONSULTING ENGINEERS 5507 North Cumberland Avenue, Suite 402 Chicago, Illinois 60656 Tel. 773.775.4009 Fax 773.775.4014	USER NAME = alou PLOT SCALE = 50.0000" / IN. PLOT DATE = 4/21/2009	DESIGNED - DD DRAWN - RJR CHECKED - SNS DATE - 4/22/09	REVISED - REVISED - REVISED - REVISED -	STATE OF ILLINOIS DEPARTMENT OF TRANSPORTATION	IL 173 ALDEN ROAD TO US 12 PROPOSED ROADWAY AND PAVEMENT MARKING PLAN	F.A.P. RTE. = 303 SECTION = (132, 133 & 134) RS-5 COUNTY = MCHENRY CONTRACT NO. = 62496	TOTAL SHEETS = 36 SHEET NO. = 14	FEDERAL ROAD DIST. NO. 1 ILLINOIS FED. AID PROJECT
	SCALE: 1"=50' SHEET NO. 14 OF 36 SHEETS STA. 368+00 TO STA. 398+00							

FILE NAME = m:\p\m\3368\3368_21\vd\p\m\pavement\plan\3368_21-p\pml08.dgn

MATCH LINE STA. 398+00
SEE SHEET 14



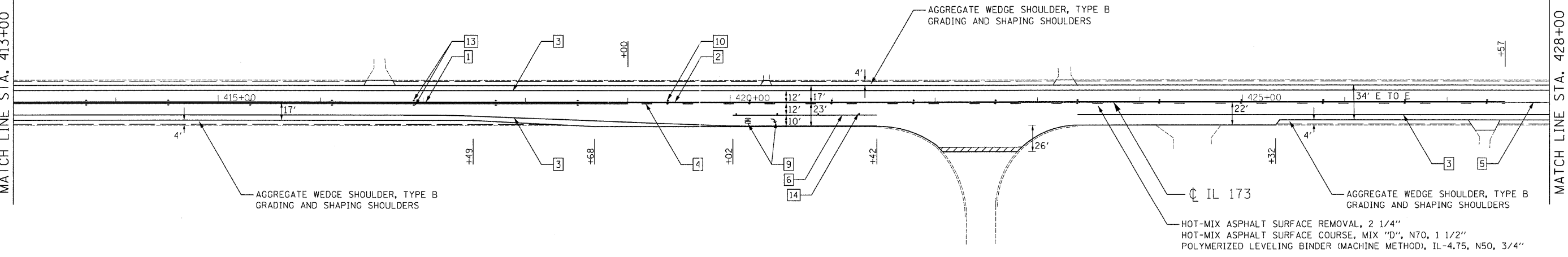
MATCH LINE STA. 413+00

LEGEND:

- | | |
|---|---|
| <p>1 THERMOPLASTIC PAVEMENT MARKING - LINE 4" (DOUBLE YELLOW SOLID LINE 11" C-C)</p> <p>2 THERMOPLASTIC PAVEMENT MARKING - LINE 4" (YELLOW SOLID LINE)</p> <p>3 THERMOPLASTIC PAVEMENT MARKING - LINE 4" (WHITE EDGE LINE)</p> <p>4 THERMOPLASTIC PAVEMENT MARKING - LINE 4" (YELLOW LANE LINE - 10' DASH, 30' SKIP) WITH RAISED REFLECTIVE PAVEMENT MARKERS (1 TWO-WAY AMBER MARKER) (40' C-C)</p> <p>5 THERMOPLASTIC PAVEMENT MARKING - LINE 4" (YELLOW LANE LINE - 10' DASH, 30' SKIP) WITH RAISED REFLECTIVE PAVEMENT MARKERS (1 TWO-WAY AMBER MARKER) (80' C-C)</p> <p>6 THERMOPLASTIC PAVEMENT MARKING - LINE 6" (WHITE SOLID LINE)</p> | <p>7 THERMOPLASTIC PAVEMENT MARKING - LINE 12" (YELLOW DIAGONAL LINE)</p> <p>8 THERMOPLASTIC PAVEMENT MARKING - LINE 24" (WHITE STOP LINE)</p> <p>9 THERMOPLASTIC PAVEMENT MARKING - LETTERS AND SYMBOLS (TYP.)</p> <p>10 RAISED REFLECTIVE PAVEMENT MARKERS (ONE-WAY AMBER MARKER) (40' C-C)</p> <p>11 RAISED REFLECTIVE PAVEMENT MARKERS (ONE-WAY AMBER MARKER) (80' C-C)</p> <p>12 RAISED REFLECTIVE PAVEMENT MARKERS (TWO-WAY AMBER MARKER) (40' C-C)</p> <p>13 RAISED REFLECTIVE PAVEMENT MARKERS (TWO-WAY AMBER MARKER) (80' C-C)</p> <p>14 RAISED REFLECTIVE PAVEMENT MARKERS (ONE-WAY CRYSTAL MARKER) (40' C-C)</p> |
|---|---|

HOT-MIX ASPHALT SURFACE REMOVAL - BUTT JOINT
TEMPORARY RAMP

MATCH LINE STA. 413+00



MATCH LINE STA. 428+00
SEE SHEET 16

HOT-MIX ASPHALT SURFACE REMOVAL - BUTT JOINT
TEMPORARY RAMP

FILE NAME: c:\p\proj\3365\3365_21\design\propose\plan\3365_21\Prop1.dwg

Ciorba Group, Inc.
CONSULTING ENGINEERS
6507 North Cumberland Avenue, Suite 402
Chicago, Illinois 60656
Tel. 773.775.4009 Fax 773.775.4014

USER NAME = alou	DESIGNED - DD	REVISED -
PLOT SCALE = 50.0000' / IN.	DRAWN - RJR	REVISED -
PLOT DATE = 4/21/2009	CHECKED - SNS	REVISED -
	DATE - 4/22/09	REVISED -

**STATE OF ILLINOIS
DEPARTMENT OF TRANSPORTATION**

**IL 173
ALDEN ROAD TO US 12
PROPOSED ROADWAY AND PAVEMENT MARKING PLAN**

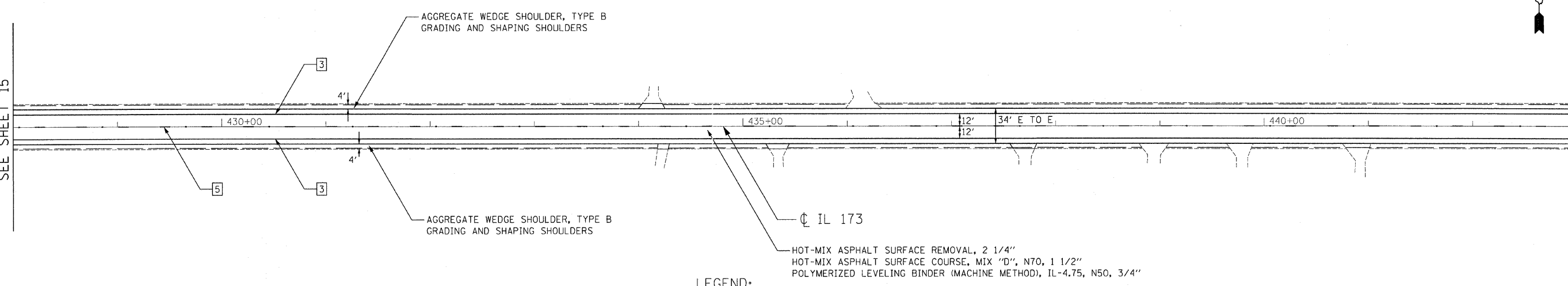
SCALE: 1"=50' SHEET NO. 15 OF 36 SHEETS STA. 398+00 TO STA. 428+00

F.A.P. RTE.	SECTION	COUNTY	TOTAL SHEETS	SHEET NO.
303	(132, 133 & 134) RS-5	MCHENRY	36	15
CONTRACT NO. 62496			FED. ROAD DIST. NO. 1 ILLINOIS FED. AID PROJECT	



MATCH LINE STA. 428+00
SEE SHEET 15

MATCH LINE STA. 443+00



LEGEND:

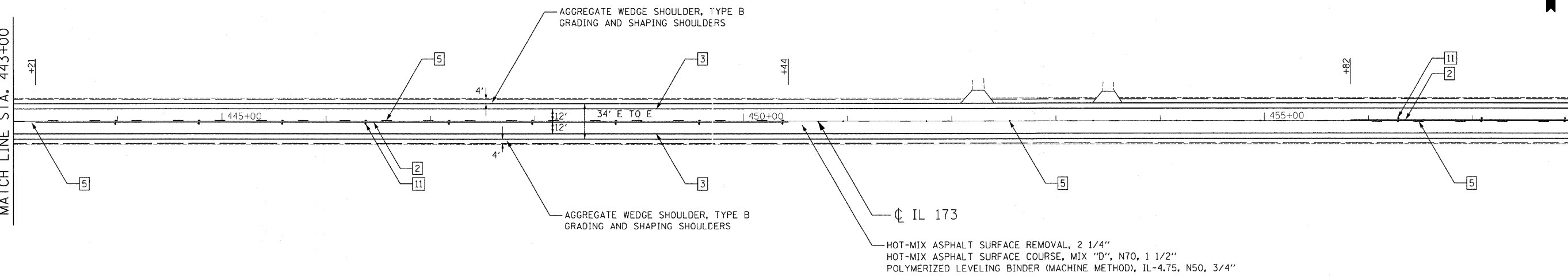
- 1 THERMOPLASTIC PAVEMENT MARKING - LINE 4" (DOUBLE YELLOW SOLID LINE 11" C-C)
- 2 THERMOPLASTIC PAVEMENT MARKING - LINE 4" (YELLOW SOLID LINE)
- 3 THERMOPLASTIC PAVEMENT MARKING - LINE 4" (WHITE EDGE LINE)
- 4 THERMOPLASTIC PAVEMENT MARKING - LINE 4" (YELLOW LANE LINE - 10' DASH, 30' SKIP) WITH RAISED REFLECTIVE PAVEMENT MARKERS (1 TWO-WAY AMBER MARKER) (40' C-C)
- 5 THERMOPLASTIC PAVEMENT MARKING - LINE 4" (YELLOW LANE LINE - 10' DASH, 30' SKIP) WITH RAISED REFLECTIVE PAVEMENT MARKERS (1 TWO-WAY AMBER MARKER) (80' C-C)
- 6 THERMOPLASTIC PAVEMENT MARKING - LINE 6" (WHITE SOLID LINE)
- 7 THERMOPLASTIC PAVEMENT MARKING - LINE 12" (YELLOW DIAGONAL LINE)
- 8 THERMOPLASTIC PAVEMENT MARKING - LINE 24" (WHITE STOP LINE)
- 9 THERMOPLASTIC PAVEMENT MARKING - LETTERS AND SYMBOLS (TYP.)
- 10 RAISED REFLECTIVE PAVEMENT MARKERS (ONE-WAY AMBER MARKER) (40' C-C)
- 11 RAISED REFLECTIVE PAVEMENT MARKERS (ONE-WAY AMBER MARKER) (80' C-C)
- 12 RAISED REFLECTIVE PAVEMENT MARKERS (TWO-WAY AMBER MARKER) (40' C-C)
- 13 RAISED REFLECTIVE PAVEMENT MARKERS (TWO-WAY AMBER MARKER) (80' C-C)
- 14 RAISED REFLECTIVE PAVEMENT MARKERS (ONE-WAY CRYSTAL MARKER) (40' C-C)

HOT-MIX ASPHALT SURFACE REMOVAL - BUTT JOINT
TEMPORARY RAMP



MATCH LINE STA. 443+00

MATCH LINE STA. 458+00
SEE SHEET 17



HOT-MIX ASPHALT SURFACE REMOVAL - BUTT JOINT
TEMPORARY RAMP

FILE NAME: c:\pwork\3386\3386_21\design\prop\3386_21-Prop12.dgn

Ciorba Group, Inc.
CONSULTING ENGINEERS
5507 North Cumberland Avenue, Suite 402
Chicago, Illinois 60656
Tel. 773.775.4009 Fax 773.775.4014

USER NAME = olau	DESIGNED - DD	REVISED -
DRAWN - RJR	CHECKED - SNS	DATE - 4/22/09
PLOT SCALE = 50.0000' / IN.	PLOT DATE = 4/21/2009	

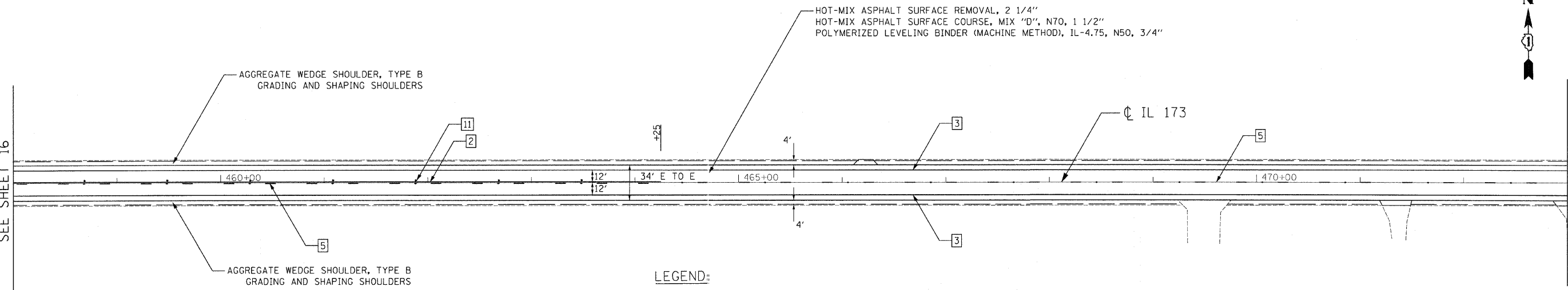
**STATE OF ILLINOIS
DEPARTMENT OF TRANSPORTATION**

**IL 173
ALDEN ROAD TO US 12
PROPOSED ROADWAY AND PAVEMENT MARKING PLAN**

SCALE: 1"=50' SHEET NO. 16 OF 36 SHEETS STA. 428+00 TO STA. 458+00

F.A.P. RTE.	SECTION	COUNTY	TOTAL SHEETS	SHEET NO.
303	(132, 133 & 134) RS-5	MCHENRY	36	16
CONTRACT NO. 62496			FED. ROAD DIST. NO. 1 ILLINOIS FED. AID PROJECT	

MATCH LINE STA. 458+00
SEE SHEET 16



MATCH LINE STA. 473+00

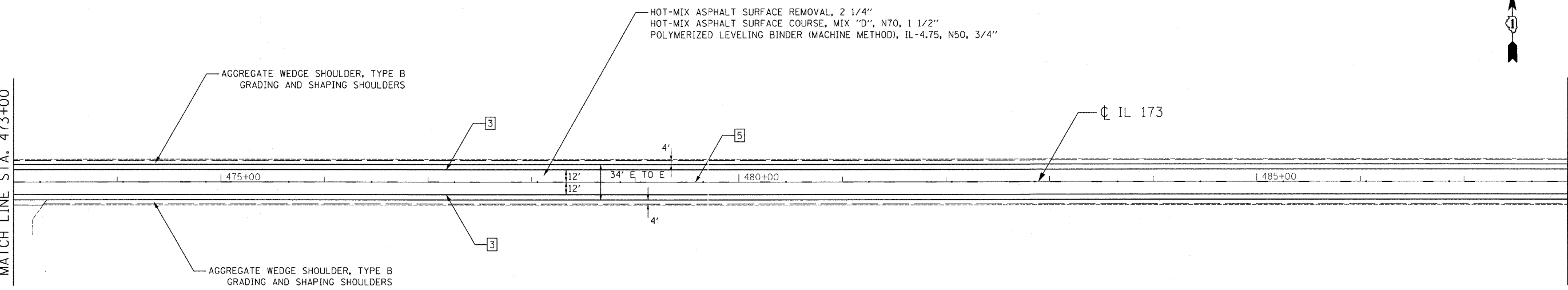


HOT-MIX ASPHALT SURFACE REMOVAL - BUTT JOINT
TEMPORARY RAMP

LEGEND:

- | | |
|--|--|
| <ul style="list-style-type: none"> 1 THERMOPLASTIC PAVEMENT MARKING - LINE 4" (DOUBLE YELLOW SOLID LINE 11" C-C) 2 THERMOPLASTIC PAVEMENT MARKING - LINE 4" (YELLOW SOLID LINE) 3 THERMOPLASTIC PAVEMENT MARKING - LINE 4" (WHITE EDGE LINE) 4 THERMOPLASTIC PAVEMENT MARKING - LINE 4" (YELLOW LANE LINE - 10' DASH, 30' SKIP) WITH RAISED REFLECTIVE PAVEMENT MARKERS (1 TWO-WAY AMBER MARKER) (40' C-C) 5 THERMOPLASTIC PAVEMENT MARKING - LINE 4" (YELLOW LANE LINE - 10' DASH, 30' SKIP) WITH RAISED REFLECTIVE PAVEMENT MARKERS (1 TWO-WAY AMBER MARKER) (80' C-C) 6 THERMOPLASTIC PAVEMENT MARKING - LINE 6" (WHITE SOLID LINE) | <ul style="list-style-type: none"> 7 THERMOPLASTIC PAVEMENT MARKING - LINE 12" (YELLOW DIAGONAL LINE) 8 THERMOPLASTIC PAVEMENT MARKING - LINE 24" (WHITE STOP LINE) 9 THERMOPLASTIC PAVEMENT MARKING - LETTERS AND SYMBOLS (TYP.) 10 RAISED REFLECTIVE PAVEMENT MARKERS (ONE-WAY AMBER MARKER) (40' C-C) 11 RAISED REFLECTIVE PAVEMENT MARKERS (ONE-WAY AMBER MARKER) (80' C-C) 12 RAISED REFLECTIVE PAVEMENT MARKERS (TWO-WAY AMBER MARKER) (40' C-C) 13 RAISED REFLECTIVE PAVEMENT MARKERS (TWO-WAY AMBER MARKER) (80' C-C) 14 RAISED REFLECTIVE PAVEMENT MARKERS (ONE-WAY CRYSTAL MARKER) (40' C-C) |
|--|--|

MATCH LINE STA. 473+00
SEE SHEET 16



MATCH LINE STA. 488+00
SEE SHEET 18



HOT-MIX ASPHALT SURFACE REMOVAL - BUTT JOINT
TEMPORARY RAMP

FILE NAME: c:\prow\3355\3355_21\design\prow\prow\3355_21\prop13.dgn

CG Ciorba Group, Inc.
CONSULTING ENGINEERS
5507 North Cumberland Avenue, Suite 402
Chicago, Illinois 60656
Tel. 773.775.4009 Fax 773.775.4014

USER NAME = olau	DESIGNED - DD	REVISED -
PLOT SCALE = 50.0000' / IN.	DRAWN - RJR	REVISED -
PLOT DATE = 4/21/2009	CHECKED - SNS	REVISED -
	DATE - 4/22/09	REVISED -

**STATE OF ILLINOIS
DEPARTMENT OF TRANSPORTATION**

**IL 173
ALDEN ROAD TO US 12
PROPOSED ROADWAY AND PAVEMENT MARKING PLAN**

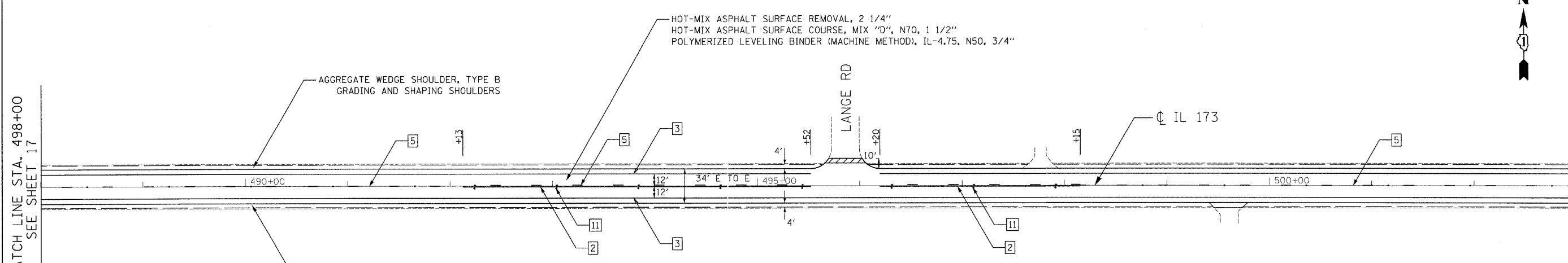
SCALE: 1"=50' SHEET NO. 17 OF 36 SHEETS STA. 458+00 TO STA. 488+00

F.A.P. RTE.	SECTION	COUNTY	TOTAL SHEETS	SHEET NO.
303	(132, 133 & 134) RS-5	MCHENRY	36	17
CONTRACT NO. 62496				
FED. ROAD DIST. NO. 1 ILLINOIS FED. AID PROJECT				



MATCH LINE STA. 498+00
SEE SHEET 17

MATCH LINE STA. 503+00



LEGEND:

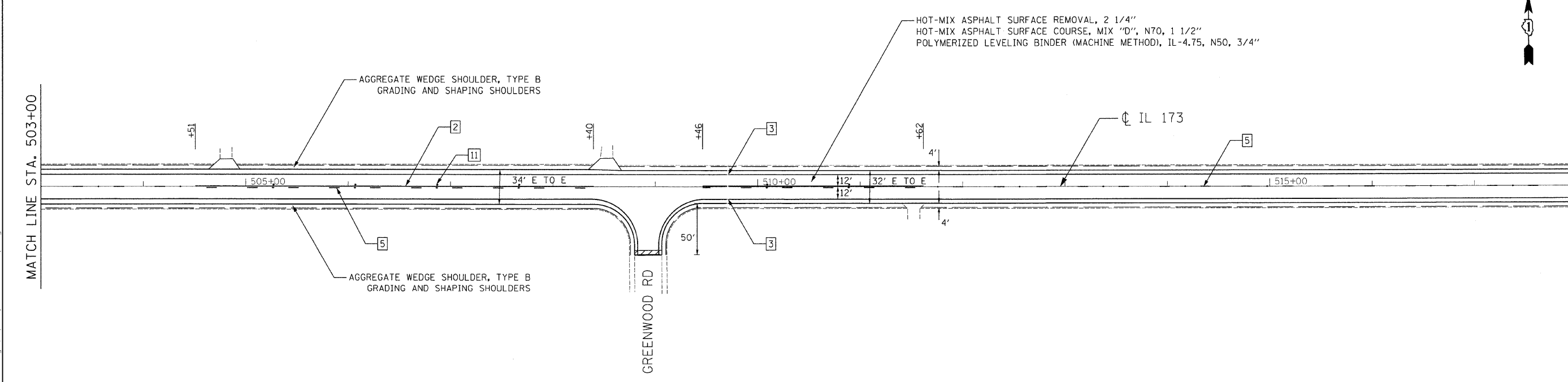
- | | | | |
|---|---|----|---|
| 1 | THERMOPLASTIC PAVEMENT MARKING - LINE 4" (DOUBLE YELLOW SOLID LINE 11" C-C) | 7 | THERMOPLASTIC PAVEMENT MARKING - LINE 12" (YELLOW DIAGONAL LINE) |
| 2 | THERMOPLASTIC PAVEMENT MARKING - LINE 4" (YELLOW SOLID LINE) | 8 | THERMOPLASTIC PAVEMENT MARKING - LINE 24" (WHITE STOP LINE) |
| 3 | THERMOPLASTIC PAVEMENT MARKING - LINE 4" (WHITE EDGE LINE) | 9 | THERMOPLASTIC PAVEMENT MARKING - LETTERS AND SYMBOLS (TYP.) |
| 4 | THERMOPLASTIC PAVEMENT MARKING - LINE 4" (YELLOW LANE LINE - 10' DASH, 30' SKIP) WITH RAISED REFLECTIVE PAVEMENT MARKERS (1 TWO-WAY AMBER MARKER) (40' C-C) | 10 | RAISED REFLECTIVE PAVEMENT MARKERS (ONE-WAY AMBER MARKER) (40' C-C) |
| 5 | THERMOPLASTIC PAVEMENT MARKING - LINE 4" (YELLOW LANE LINE - 10' DASH, 30' SKIP) WITH RAISED REFLECTIVE PAVEMENT MARKERS (1 TWO-WAY AMBER MARKER) (80' C-C) | 11 | RAISED REFLECTIVE PAVEMENT MARKERS (ONE-WAY AMBER MARKER) (80' C-C) |
| 6 | THERMOPLASTIC PAVEMENT MARKING - LINE 6" (WHITE SOLID LINE) | 12 | RAISED REFLECTIVE PAVEMENT MARKERS (TWO-WAY AMBER MARKER) (40' C-C) |
| | | 13 | RAISED REFLECTIVE PAVEMENT MARKERS (TWO-WAY AMBER MARKER) (80' C-C) |
| | | 14 | RAISED REFLECTIVE PAVEMENT MARKERS (ONE-WAY CRYSTAL MARKER) (40' C-C) |

HOT-MIX ASPHALT SURFACE REMOVAL - BUTT JOINT
TEMPORARY RAMP



MATCH LINE STA. 503+00
SEE SHEET 17

MATCH LINE STA. 518+00
SEE SHEET 19



HOT-MIX ASPHALT SURFACE REMOVAL - BUTT JOINT
TEMPORARY RAMP

FILE NAME: s:\projects\3368\21\delm\p\proposals\plan\3368_21_Prop14.dgn

Ciorba Group, Inc.
CONSULTING ENGINEERS
5507 North Cumberland Avenue, Suite 402
Chicago, Illinois 60656
Tel. 773.775.4009 Fax 773.775.4014

USER NAME = o1ou	DESIGNED - DD	REVISED -
PLOT SCALE = 50.0000' / IN.	DRAWN - RJR	REVISED -
PLOT DATE = 4/21/2009	CHECKED - SNS	REVISED -
	DATE - 4/22/09	REVISED -

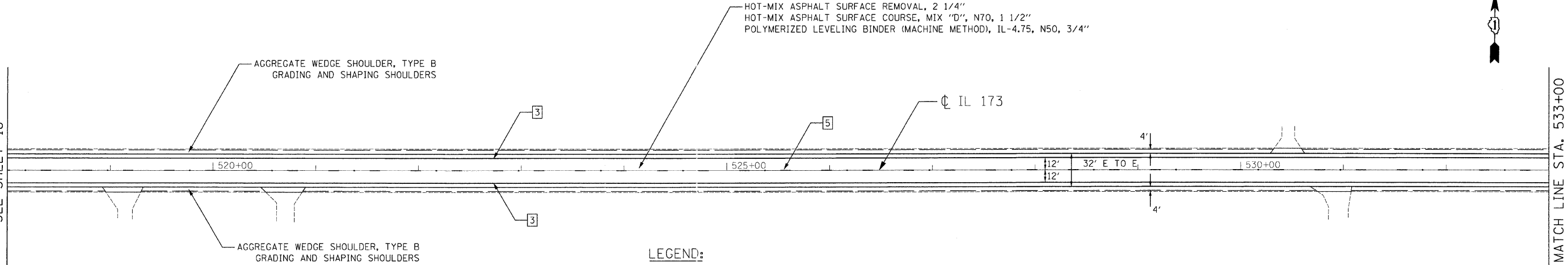
**STATE OF ILLINOIS
DEPARTMENT OF TRANSPORTATION**

**IL 173
ALDEN ROAD TO US 12
PROPOSED ROADWAY AND PAVEMENT MARKING PLAN**

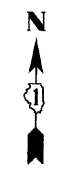
SCALE: 1"=50' SHEET NO. 18 OF 36 SHEETS STA. 488+00 TO STA. 518+00

F.A.P. RTE.	SECTION	COUNTY	TOTAL SHEETS	SHEET NO.
303	(132, 133 & 134) RS-5	MCHENRY	36	18
CONTRACT NO. 62496			FED. ROAD DIST. NO. 1 ILLINOIS FED. AID PROJECT	

MATCH LINE STA. 518+00
SEE SHEET 18



MATCH LINE STA. 533+00
SEE SHEET 19

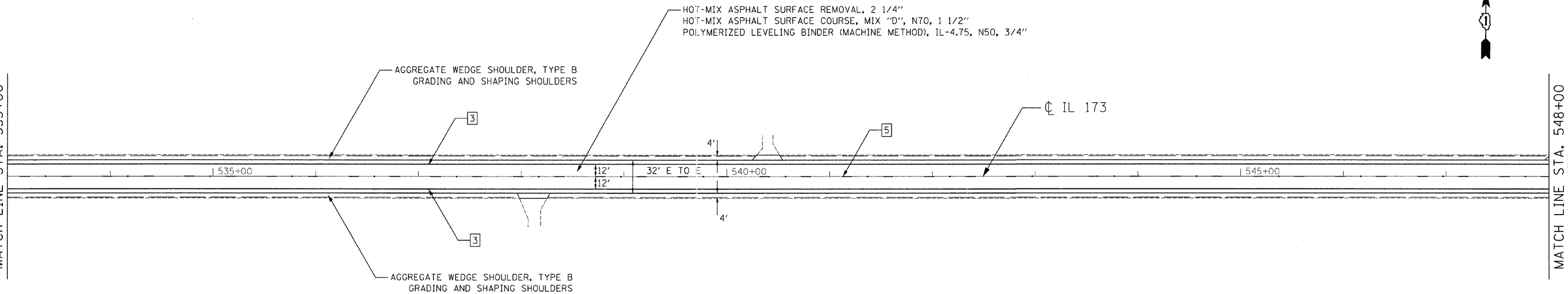


HOT-MIX ASPHALT SURFACE REMOVAL - BUTT JOINT
TEMPORARY RAMP

LEGEND:

- | | | | |
|---|---|----|---|
| 1 | THERMOPLASTIC PAVEMENT MARKING - LINE 4" (DOUBLE YELLOW SOLID LINE 11" C-C) | 7 | THERMOPLASTIC PAVEMENT MARKING - LINE 12" (YELLOW DIAGONAL LINE) |
| 2 | THERMOPLASTIC PAVEMENT MARKING - LINE 4" (YELLOW SOLID LINE) | 8 | THERMOPLASTIC PAVEMENT MARKING - LINE 24" (WHITE STOP LINE) |
| 3 | THERMOPLASTIC PAVEMENT MARKING - LINE 4" (WHITE EDGE LINE) | 9 | THERMOPLASTIC PAVEMENT MARKING - LETTERS AND SYMBOLS (TYP.) |
| 4 | THERMOPLASTIC PAVEMENT MARKING - LINE 4" (YELLOW LANE LINE - 10' DASH, 30' SKIP) WITH RAISED REFLECTIVE PAVEMENT MARKERS (1 TWO-WAY AMBER MARKER) (40' C-C) | 10 | RAISED REFLECTIVE PAVEMENT MARKERS (ONE-WAY AMBER MARKER) (40' C-C) |
| 5 | THERMOPLASTIC PAVEMENT MARKING - LINE 4" (YELLOW LANE LINE - 10' DASH, 30' SKIP) WITH RAISED REFLECTIVE PAVEMENT MARKERS (1 TWO-WAY AMBER MARKER) (80' C-C) | 11 | RAISED REFLECTIVE PAVEMENT MARKERS (ONE-WAY AMBER MARKER) (80' C-C) |
| 6 | THERMOPLASTIC PAVEMENT MARKING - LINE 6" (WHITE SOLID LINE) | 12 | RAISED REFLECTIVE PAVEMENT MARKERS (TWO-WAY AMBER MARKER) (40' C-C) |
| | | 13 | RAISED REFLECTIVE PAVEMENT MARKERS (TWO-WAY AMBER MARKER) (80' C-C) |
| | | 14 | RAISED REFLECTIVE PAVEMENT MARKERS (ONE-WAY CRYSTAL MARKER) (40' C-C) |

MATCH LINE STA. 533+00
SEE SHEET 19



MATCH LINE STA. 548+00
SEE SHEET 20



HOT-MIX ASPHALT SURFACE REMOVAL - BUTT JOINT
TEMPORARY RAMP

FILE NAME = m:\barj\3368\3368_21\workspace\graphics\plan\3368_21\Prop15.dgn

CG Ciorba Group, Inc.
CONSULTING ENGINEERS
6507 North Cumberland Avenue, Suite 402
Chicago, Illinois 60656
Tel. 773.775.4009 Fax 773.775.4014

USER NAME = eieu	DESIGNED - DD	REVISED -
PLOT SCALE = 50.0000' / IN.	DRAWN - RJR	REVISED -
PLOT DATE = 4/21/2009	CHECKED - SNS	REVISED -
	DATE - 4/22/09	REVISED -

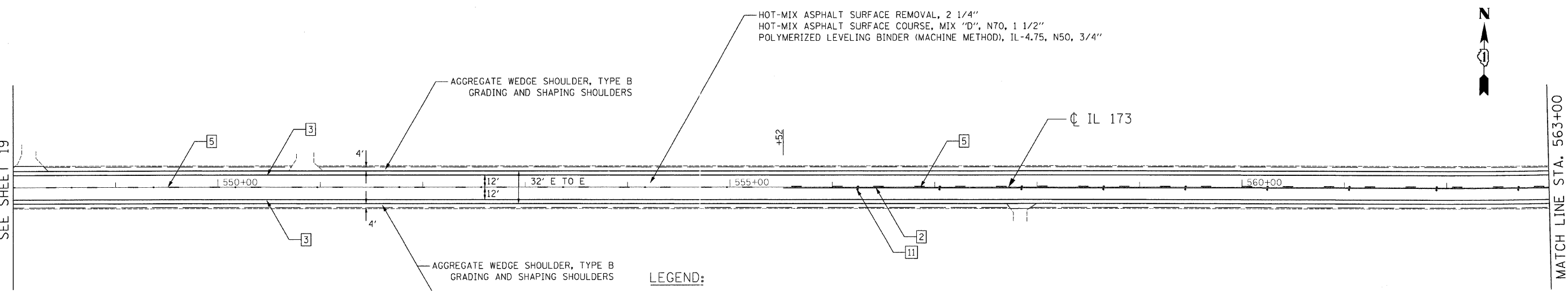
**STATE OF ILLINOIS
DEPARTMENT OF TRANSPORTATION**

**IL 173
ALDEN ROAD TO US 12
PROPOSED ROADWAY AND PAVEMENT MARKING PLAN**

SCALE: 1"=50' SHEET NO. 19 OF 36 SHEETS STA. 518+00 TO STA. 548+00

F.A.P. RTE.	SECTION	COUNTY	TOTAL SHEETS	SHEET NO.
303	(132, 133 & 134) RS-5	MCHENRY	36	19
CONTRACT NO. 62496			FED. ROAD DIST. NO. 1 ILLINOIS FED. AID PROJECT	

MATCH LINE STA. 548+00
SEE SHEET 19



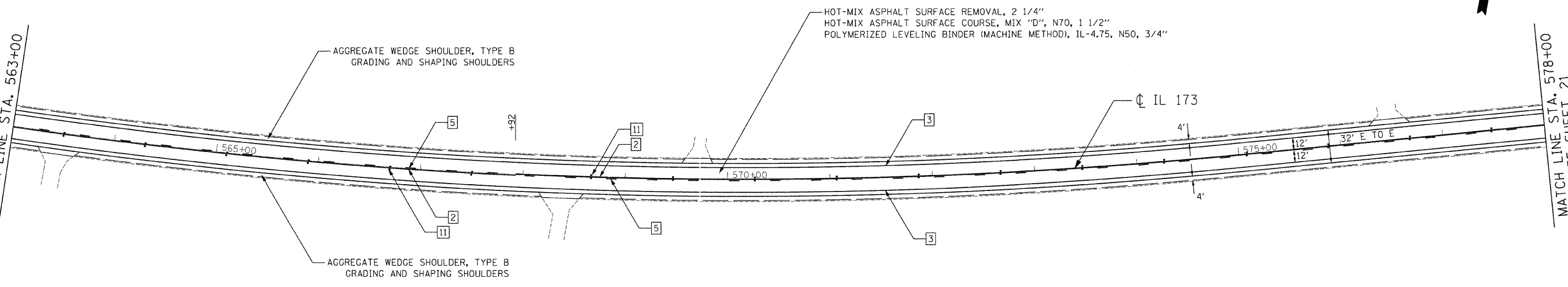
MATCH LINE STA. 563+00

LEGEND:

- | | | | |
|---|---|----|---|
| 1 | THERMOPLASTIC PAVEMENT MARKING - LINE 4" (DOUBLE YELLOW SOLID LINE 11" C-C) | 7 | THERMOPLASTIC PAVEMENT MARKING - LINE 12" (YELLOW DIAGONAL LINE) |
| 2 | THERMOPLASTIC PAVEMENT MARKING - LINE 4" (YELLOW SOLID LINE) | 8 | THERMOPLASTIC PAVEMENT MARKING - LINE 24" (WHITE STOP LINE) |
| 3 | THERMOPLASTIC PAVEMENT MARKING - LINE 4" (WHITE EDGE LINE) | 9 | THERMOPLASTIC PAVEMENT MARKING - LETTERS AND SYMBOLS (TYP.) |
| 4 | THERMOPLASTIC PAVEMENT MARKING - LINE 4" (YELLOW LANE LINE - 10' DASH, 30' SKIP) WITH RAISED REFLECTIVE PAVEMENT MARKERS (1 TWO-WAY AMBER MARKER) (40' C-C) | 10 | RAISED REFLECTIVE PAVEMENT MARKERS (ONE-WAY AMBER MARKER) (40' C-C) |
| 5 | THERMOPLASTIC PAVEMENT MARKING - LINE 4" (YELLOW LANE LINE - 10' DASH, 30' SKIP) WITH RAISED REFLECTIVE PAVEMENT MARKERS (1 TWO-WAY AMBER MARKER) (80' C-C) | 11 | RAISED REFLECTIVE PAVEMENT MARKERS (ONE-WAY AMBER MARKER) (80' C-C) |
| 6 | THERMOPLASTIC PAVEMENT MARKING - LINE 6" (WHITE SOLID LINE) | 12 | RAISED REFLECTIVE PAVEMENT MARKERS (TWO-WAY AMBER MARKER) (40' C-C) |
| | | 13 | RAISED REFLECTIVE PAVEMENT MARKERS (TWO-WAY AMBER MARKER) (80' C-C) |
| | | 14 | RAISED REFLECTIVE PAVEMENT MARKERS (ONE-WAY CRYSTAL MARKER) (40' C-C) |

HOT-MIX ASPHALT SURFACE REMOVAL - BUTT JOINT TEMPORARY RAMP

MATCH LINE STA. 563+00



MATCH LINE STA. 578+00
SEE SHEET 21

HOT-MIX ASPHALT SURFACE REMOVAL - BUTT JOINT TEMPORARY RAMP

FILE NAME: c:\p\proj\3388\3388_21\design\proposals\plan\3388_21_Prop16.dgn

Ciorba Group, Inc.
CONSULTING ENGINEERS
5507 North Cumberland Avenue, Suite 402
Chicago, Illinois 60656
Tel. 773.775.4009 Fax 773.775.4014

USER NAME = oiaou	DESIGNED - DD	REVISED -
DRAWN - RJR	CHECKED - SNS	REVISED -
PLOT SCALE = 50.0000' / IN.	DATE - 4/22/09	REVISED -
PLOT DATE = 4/21/2009		

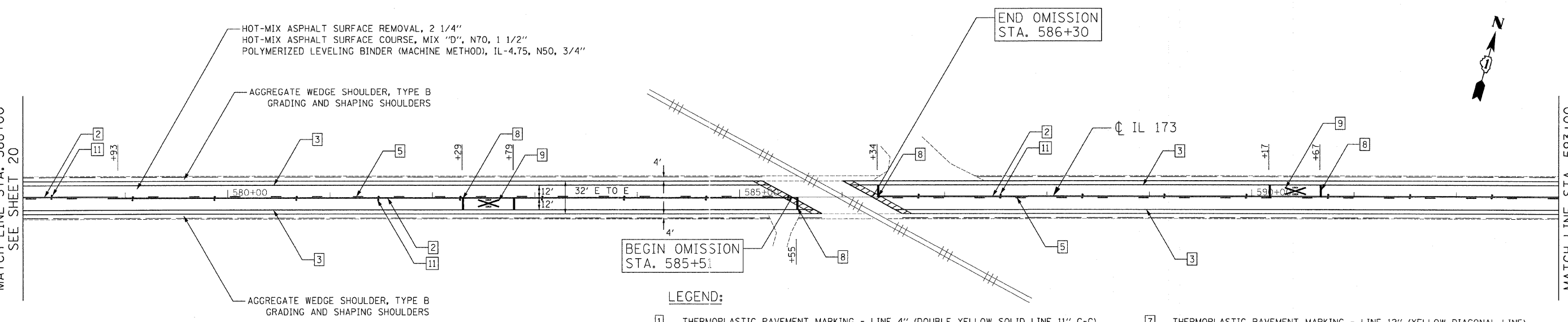
**STATE OF ILLINOIS
DEPARTMENT OF TRANSPORTATION**

**IL 173
ALDEN ROAD TO US 12
PROPOSED ROADWAY AND PAVEMENT MARKING PLAN**

SCALE: 1"=50' SHEET NO. 20 OF 36 SHEETS STA. 548+00 TO STA. 578+00

F.A.P. RTE.	SECTION	COUNTY	TOTAL SHEETS	SHEET NO.
303	(132, 133 & 134) RS-5	MCHENRY	36	20
CONTRACT NO. 62496			FED. ROAD DIST. NO. 1 ILLINOIS FED. AID PROJECT	

MATCH LINE STA. 588+00
SEE SHEET 20



MATCH LINE STA. 593+00

HOT-MIX ASPHALT SURFACE REMOVAL - BUTT JOINT
TEMPORARY RAMP

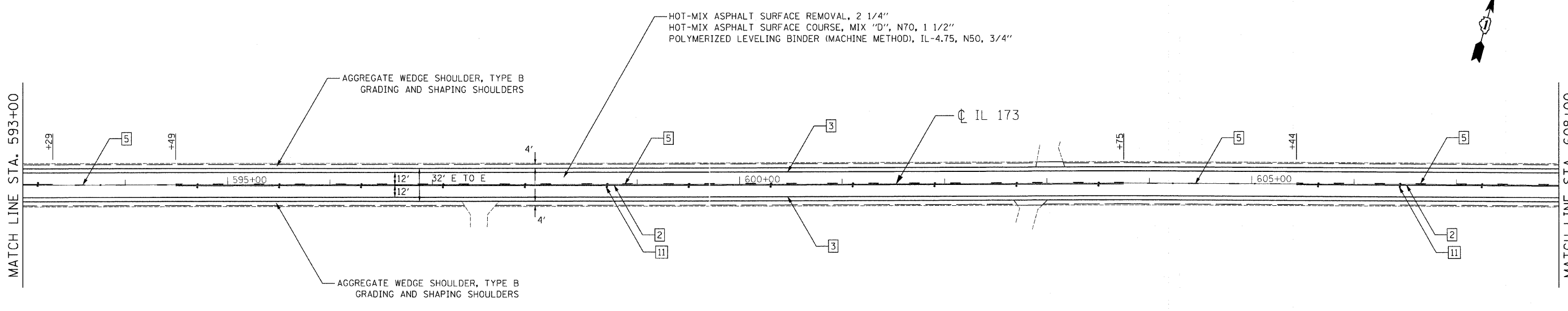
BEGIN OMISSION
STA. 585+51

END OMISSION
STA. 586+30

LEGEND:

- | | | | |
|---|---|----|---|
| 1 | THERMOPLASTIC PAVEMENT MARKING - LINE 4" (DOUBLE YELLOW SOLID LINE 11" C-C) | 7 | THERMOPLASTIC PAVEMENT MARKING - LINE 12" (YELLOW DIAGONAL LINE) |
| 2 | THERMOPLASTIC PAVEMENT MARKING - LINE 4" (YELLOW SOLID LINE) | 8 | THERMOPLASTIC PAVEMENT MARKING - LINE 24" (WHITE STOP LINE) |
| 3 | THERMOPLASTIC PAVEMENT MARKING - LINE 4" (WHITE EDGE LINE) | 9 | THERMOPLASTIC PAVEMENT MARKING - LETTERS AND SYMBOLS (TYP.) |
| 4 | THERMOPLASTIC PAVEMENT MARKING - LINE 4" (YELLOW LANE LINE - 10' DASH, 30' SKIP) WITH RAISED REFLECTIVE PAVEMENT MARKERS (1 TWO-WAY AMBER MARKER) (40' C-C) | 10 | RAISED REFLECTIVE PAVEMENT MARKERS (ONE-WAY AMBER MARKER) (40' C-C) |
| 5 | THERMOPLASTIC PAVEMENT MARKING - LINE 4" (YELLOW LANE LINE - 10' DASH, 30' SKIP) WITH RAISED REFLECTIVE PAVEMENT MARKERS (1 TWO-WAY AMBER MARKER) (80' C-C) | 11 | RAISED REFLECTIVE PAVEMENT MARKERS (ONE-WAY AMBER MARKER) (80' C-C) |
| 6 | THERMOPLASTIC PAVEMENT MARKING - LINE 6" (WHITE SOLID LINE) | 12 | RAISED REFLECTIVE PAVEMENT MARKERS (TWO-WAY AMBER MARKER) (40' C-C) |
| | | 13 | RAISED REFLECTIVE PAVEMENT MARKERS (TWO-WAY AMBER MARKER) (80' C-C) |
| | | 14 | RAISED REFLECTIVE PAVEMENT MARKERS (ONE-WAY CRYSTAL MARKER) (40' C-C) |

MATCH LINE STA. 593+00



MATCH LINE STA. 608+00
SEE SHEET 22

HOT-MIX ASPHALT SURFACE REMOVAL - BUTT JOINT
TEMPORARY RAMP

FILE NAME = c:\p\proj\33268\33268_21\dwg\prop\pav\plan\33268_21_Prop17.dwg

Ciorba Group, Inc.
CONSULTING ENGINEERS
6507 North Cumberland Avenue, Suite 402
Chicago, Illinois 60656
Tel. 773.775.4009 Fax 773.775.4014

USER NAME = elau	DESIGNED - DD	REVISED -
DRAWN - RJR	CHECKED - SNS	DATE - 4/22/09
PLOT SCALE = 50.0000' / IN.	PLOT DATE = 4/21/2009	

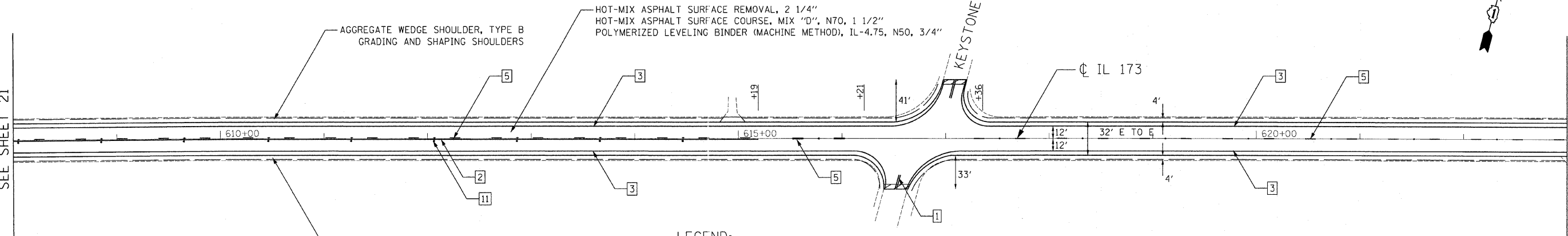
**STATE OF ILLINOIS
DEPARTMENT OF TRANSPORTATION**

**IL 173
ALDEN ROAD TO US 12
PROPOSED ROADWAY AND PAVEMENT MARKING PLAN**

SCALE: 1"=50' SHEET NO. 21 OF 36 SHEETS STA. 578+00 TO STA. 608+00

F.A.P. RTE.	SECTION	COUNTY	TOTAL SHEETS	SHEET NO.
303	(132, 133 & 134) RS-5	MCHENRY	36	21
CONTRACT NO. 62496			FED. ROAD DIST. NO. 1 ILLINOIS FED. AID PROJECT	

MATCH LINE STA. 608+00
SEE SHEET 21



MATCH LINE STA. 623+00

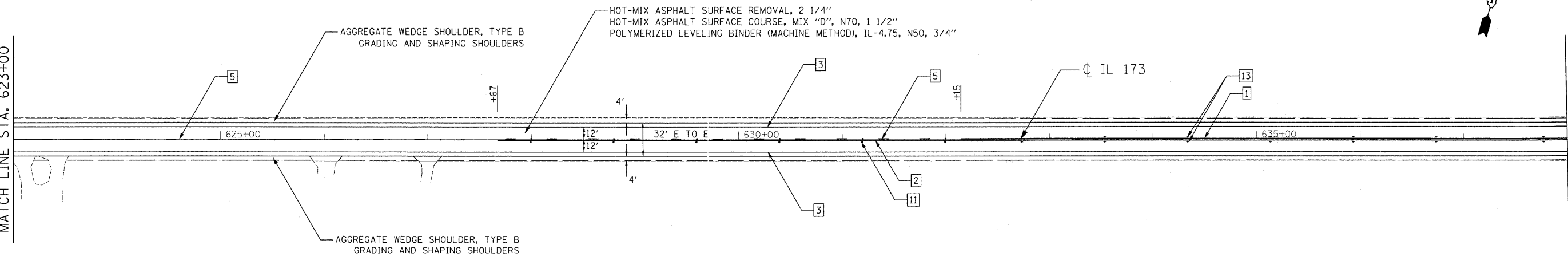


HOT-MIX ASPHALT SURFACE REMOVAL - BUTT JOINT
TEMPORARY RAMP

LEGEND:

- | | |
|--|--|
| <ul style="list-style-type: none"> 1 THERMOPLASTIC PAVEMENT MARKING - LINE 4" (DOUBLE YELLOW SOLID LINE 11" C-C) 2 THERMOPLASTIC PAVEMENT MARKING - LINE 4" (YELLOW SOLID LINE) 3 THERMOPLASTIC PAVEMENT MARKING - LINE 4" (WHITE EDGE LINE) 4 THERMOPLASTIC PAVEMENT MARKING - LINE 4" (YELLOW LANE LINE - 10' DASH, 30' SKIP) WITH RAISED REFLECTIVE PAVEMENT MARKERS (1 TWO-WAY AMBER MARKER) (40' C-C) 5 THERMOPLASTIC PAVEMENT MARKING - LINE 4" (YELLOW LANE LINE - 10' DASH, 30' SKIP) WITH RAISED REFLECTIVE PAVEMENT MARKERS (1 TWO-WAY AMBER MARKER) (80' C-C) 6 THERMOPLASTIC PAVEMENT MARKING - LINE 6" (WHITE SOLID LINE) | <ul style="list-style-type: none"> 7 THERMOPLASTIC PAVEMENT MARKING - LINE 12" (YELLOW DIAGONAL LINE) 8 THERMOPLASTIC PAVEMENT MARKING - LINE 24" (WHITE STOP LINE) 9 THERMOPLASTIC PAVEMENT MARKING - LETTERS AND SYMBOLS (TYP.) 10 RAISED REFLECTIVE PAVEMENT MARKERS (ONE-WAY AMBER MARKER) (40' C-C) 11 RAISED REFLECTIVE PAVEMENT MARKERS (ONE-WAY AMBER MARKER) (80' C-C) 12 RAISED REFLECTIVE PAVEMENT MARKERS (TWO-WAY AMBER MARKER) (40' C-C) 13 RAISED REFLECTIVE PAVEMENT MARKERS (TWO-WAY AMBER MARKER) (80' C-C) 14 RAISED REFLECTIVE PAVEMENT MARKERS (ONE-WAY CRYSTAL MARKER) (40' C-C) |
|--|--|

MATCH LINE STA. 623+00



MATCH LINE STA. 638+00
SEE SHEET 23



HOT-MIX ASPHALT SURFACE REMOVAL - BUTT JOINT
TEMPORARY RAMP

FILE NAME: c:\p\proj\3386\3386_21\design\propose\plan\3386_21-Prop18.dgn

Ciorba Group, Inc.
CONSULTING ENGINEERS
6507 North Cumberland Avenue, Suite 402
Chicago, Illinois 60656
Tel. 773.775.4009 Fax 773.775.4014

USER NAME = olau	DESIGNED - DD	REVISED -
PLOT SCALE = 50.0000' / IN.	DRAWN - RJR	REVISED -
PLOT DATE = 4/21/2009	CHECKED - SNS	REVISED -
	DATE - 4/22/09	REVISED -

**STATE OF ILLINOIS
DEPARTMENT OF TRANSPORTATION**

**IL 173
ALDEN ROAD TO US 12
PROPOSED ROADWAY AND PAVEMENT MARKING PLAN**

SCALE: 1"=50' SHEET NO. 22 OF 36 SHEETS STA. 608+00 TO STA. 638+00

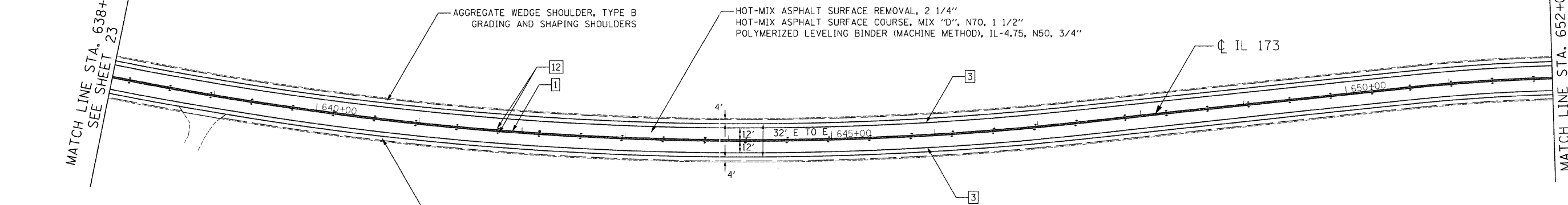
F.A.P. RTE.	SECTION	COUNTY	TOTAL SHEETS	SHEET NO.
303	(132, 133 & 134) RS-5	MCHENRY	36	22
CONTRACT NO. 62496				

FED. ROAD DIST. NO. 1 | ILLINOIS FED. AID PROJECT



MATCH LINE STA. 638+00
SEE SHEET 23

MATCH LINE STA. 652+00



LEGEND:

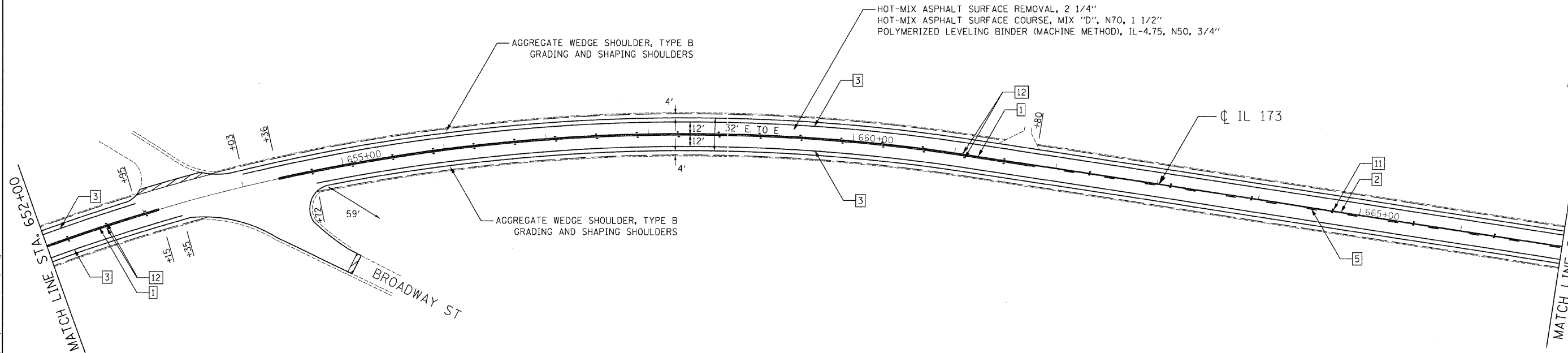
- | | |
|--|--|
| <ul style="list-style-type: none"> 1 THERMOPLASTIC PAVEMENT MARKING - LINE 4" (DOUBLE YELLOW SOLID LINE 11" C-C) 2 THERMOPLASTIC PAVEMENT MARKING - LINE 4" (YELLOW SOLID LINE) 3 THERMOPLASTIC PAVEMENT MARKING - LINE 4" (WHITE EDGE LINE) 4 THERMOPLASTIC PAVEMENT MARKING - LINE 4" (YELLOW LANE LINE - 10' DASH, 30' SKIP) WITH RAISED REFLECTIVE PAVEMENT MARKERS (1 TWO-WAY AMBER MARKER) (40' C-C) 5 THERMOPLASTIC PAVEMENT MARKING - LINE 4" (YELLOW LANE LINE - 10' DASH, 30' SKIP) WITH RAISED REFLECTIVE PAVEMENT MARKERS (1 TWO-WAY AMBER MARKER) (80' C-C) 6 THERMOPLASTIC PAVEMENT MARKING - LINE 6" (WHITE SOLID LINE) | <ul style="list-style-type: none"> 7 THERMOPLASTIC PAVEMENT MARKING - LINE 12" (YELLOW DIAGONAL LINE) 8 THERMOPLASTIC PAVEMENT MARKING - LINE 24" (WHITE STOP LINE) 9 THERMOPLASTIC PAVEMENT MARKING - LETTERS AND SYMBOLS (TYP.) 10 RAISED REFLECTIVE PAVEMENT MARKERS (ONE-WAY AMBER MARKER) (40' C-C) 11 RAISED REFLECTIVE PAVEMENT MARKERS (ONE-WAY AMBER MARKER) (80' C-C) 12 RAISED REFLECTIVE PAVEMENT MARKERS (TWO-WAY AMBER MARKER) (40' C-C) 13 RAISED REFLECTIVE PAVEMENT MARKERS (TWO-WAY AMBER MARKER) (80' C-C) 14 RAISED REFLECTIVE PAVEMENT MARKERS (ONE-WAY CRYSTAL MARKER) (40' C-C) |
|--|--|

HOT-MIX ASPHALT SURFACE REMOVAL - BUTT JOINT
TEMPORARY RAMP



MATCH LINE STA. 652+00

MATCH LINE STA. 667+00
SEE SHEET 25



HOT-MIX ASPHALT SURFACE REMOVAL - BUTT JOINT
TEMPORARY RAMP

FILE NAME = m:\work\3326\3326_21\work\3326_21\Prop19.dgn

CG Ciorba Group, Inc.
CONSULTING ENGINEERS
6507 North Cumberland Avenue, Suite 402
Chicago, Illinois 60656
Tel. 773.775.4009 Fax 773.775.4014

USER NAME = oiau	DESIGNED - DD	REVISED -
PLOT SCALE = 50.0000' / IN.	DRAWN - RJR	REVISED -
PLOT DATE = 4/21/2009	CHECKED - SNS	REVISED -
	DATE - 4/22/09	REVISED -

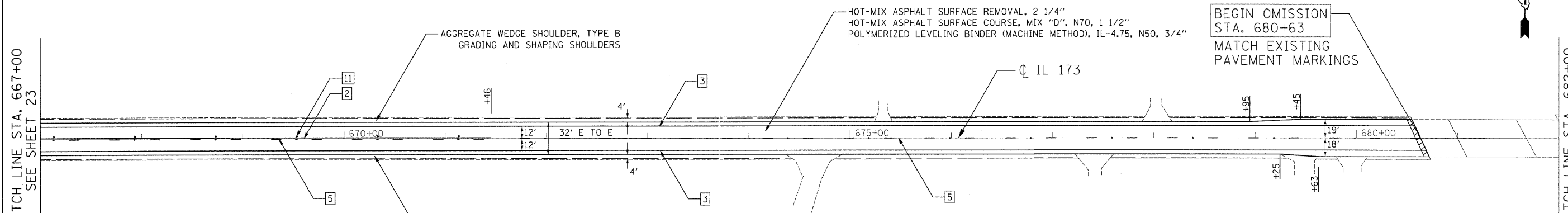
**STATE OF ILLINOIS
DEPARTMENT OF TRANSPORTATION**

**IL 173
ALDEN ROAD TO US 12
PROPOSED ROADWAY AND PAVEMENT MARKING PLAN**

SCALE: 1"=50' SHEET NO. 23 OF 36 SHEETS STA. 638+00 TO STA. 667+00

F.A.P. RTE.	SECTION	COUNTY	TOTAL SHEETS	SHEET NO.
303	(132, 133 & 134) RS-5	MCHENRY	36	23
CONTRACT NO. 62496				
FED. ROAD DIST. NO. 1 ILLINOIS FED. AID PROJECT				

MATCH LINE STA. 667+00
SEE SHEET 23



MATCH LINE STA. 682+00

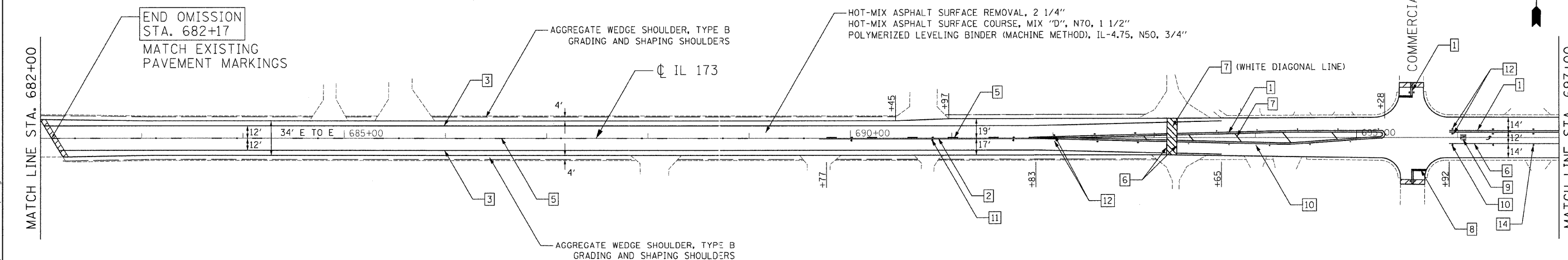


LEGEND:

- 1 THERMOPLASTIC PAVEMENT MARKING - LINE 4" (DOUBLE YELLOW SOLID LINE 11" C-C)
- 2 THERMOPLASTIC PAVEMENT MARKING - LINE 4" (YELLOW SOLID LINE)
- 3 THERMOPLASTIC PAVEMENT MARKING - LINE 4" (WHITE EDGE LINE)
- 4 THERMOPLASTIC PAVEMENT MARKING - LINE 4" (YELLOW LANE LINE - 10' DASH, 30' SKIP) WITH RAISED REFLECTIVE PAVEMENT MARKERS (1 TWO-WAY AMBER MARKER) (40' C-C)
- 5 THERMOPLASTIC PAVEMENT MARKING - LINE 4" (YELLOW LANE LINE - 10' DASH, 30' SKIP) WITH RAISED REFLECTIVE PAVEMENT MARKERS (1 TWO-WAY AMBER MARKER) (80' C-C)
- 6 THERMOPLASTIC PAVEMENT MARKING - LINE 6" (WHITE SOLID LINE)
- 7 THERMOPLASTIC PAVEMENT MARKING - LINE 12" (YELLOW DIAGONAL LINE)
- 8 THERMOPLASTIC PAVEMENT MARKING - LINE 24" (WHITE STOP LINE)
- 9 THERMOPLASTIC PAVEMENT MARKING - LETTERS AND SYMBOLS (TYP.)
- 10 RAISED REFLECTIVE PAVEMENT MARKERS (ONE-WAY AMBER MARKER) (40' C-C)
- 11 RAISED REFLECTIVE PAVEMENT MARKERS (ONE-WAY AMBER MARKER) (80' C-C)
- 12 RAISED REFLECTIVE PAVEMENT MARKERS (TWO-WAY AMBER MARKER) (40' C-C)
- 13 RAISED REFLECTIVE PAVEMENT MARKERS (TWO-WAY AMBER MARKER) (80' C-C)
- 14 RAISED REFLECTIVE PAVEMENT MARKERS (ONE-WAY CRYSTAL MARKER) (40' C-C)

HOT-MIX ASPHALT SURFACE REMOVAL - BUTT JOINT
TEMPORARY RAMP

MATCH LINE STA. 682+00



MATCH LINE STA. 697+00
SEE SHEET 25



HOT-MIX ASPHALT SURFACE REMOVAL - BUTT JOINT
TEMPORARY RAMP

FILE NAME: c:\p\proj\3365\3365_21\asgn\temp\asgn\3365_21\p\p020.dgn

CG Ciorba Group, Inc.
CONSULTING ENGINEERS
5507 North Cumberland Avenue, Suite 402
Chicago, Illinois 60655
Tel. 773.775.4009 Fax 773.775.4014

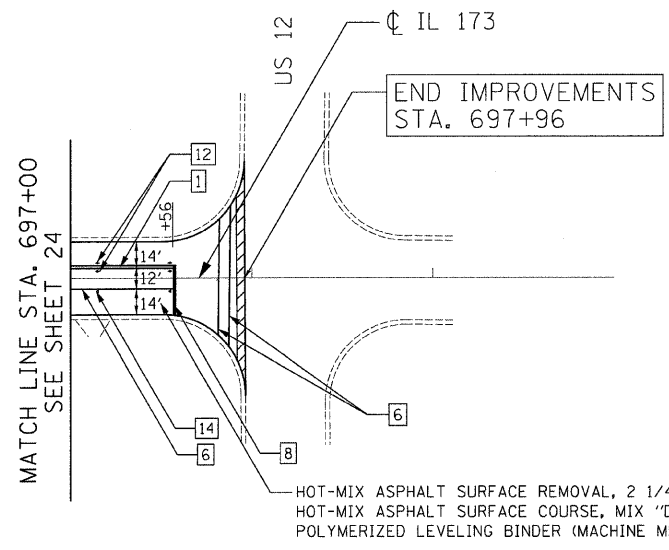
USER NAME = alau	DESIGNED - DD	REVISED -
PLOT SCALE = 50,0000' / IN.	DRAWN - RJR	REVISED -
PLOT DATE = 4/21/2009	CHECKED - SNS	REVISED -
	DATE - 4/22/09	REVISED -

**STATE OF ILLINOIS
DEPARTMENT OF TRANSPORTATION**

**IL 173
ALDEN ROAD TO US 12
PROPOSED ROADWAY AND PAVEMENT MARKING PLAN**

SCALE: 1"=50' SHEET NO. 240F 36 SHEETS STA. 667+00 TO STA. 697+00

F.A.P. RTE.	SECTION	COUNTY	TOTAL SHEETS	SHEET NO.
303	(132, 133 & 134) RS-5	MCHENRY	36	24
CONTRACT NO. 62496			FED. ROAD DIST. NO. 1 ILLINOIS FED. AID PROJECT	



HOT-MIX ASPHALT SURFACE REMOVAL, 2 1/4"
 HOT-MIX ASPHALT SURFACE COURSE, MIX "D", N70, 1 1/2"
 POLYMERIZED LEVELING BINDER (MACHINE METHOD), IL-4.75, N50, 3/4"

HOT-MIX ASPHALT SURFACE REMOVAL - BUTT JOINT
 TEMPORARY RAMP

LEGEND:

- | | |
|--|--|
| <ul style="list-style-type: none"> 1 THERMOPLASTIC PAVEMENT MARKING - LINE 4" (DOUBLE YELLOW SOLID LINE 11" C-C) 2 THERMOPLASTIC PAVEMENT MARKING - LINE 4" (YELLOW SOLID LINE) 3 THERMOPLASTIC PAVEMENT MARKING - LINE 4" (WHITE EDGE LINE) 4 THERMOPLASTIC PAVEMENT MARKING - LINE 4" (YELLOW LANE LINE - 10' DASH, 30' SKIP) WITH RAISED REFLECTIVE PAVEMENT MARKERS (1 TWO-WAY AMBER MARKER) (40' C-C) 5 THERMOPLASTIC PAVEMENT MARKING - LINE 4" (YELLOW LANE LINE - 10' DASH, 30' SKIP) WITH RAISED REFLECTIVE PAVEMENT MARKERS (1 TWO-WAY AMBER MARKER) (80' C-C) 6 THERMOPLASTIC PAVEMENT MARKING - LINE 6" (WHITE SOLID LINE) | <ul style="list-style-type: none"> 7 THERMOPLASTIC PAVEMENT MARKING - LINE 12" (YELLOW DIAGONAL LINE) 8 THERMOPLASTIC PAVEMENT MARKING - LINE 24" (WHITE STOP LINE) 9 THERMOPLASTIC PAVEMENT MARKING - LETTERS AND SYMBOLS (TYP.) 10 RAISED REFLECTIVE PAVEMENT MARKERS (ONE-WAY AMBER MARKER) (40' C-C) 11 RAISED REFLECTIVE PAVEMENT MARKERS (ONE-WAY AMBER MARKER) (80' C-C) 12 RAISED REFLECTIVE PAVEMENT MARKERS (TWO-WAY AMBER MARKER) (40' C-C) 13 RAISED REFLECTIVE PAVEMENT MARKERS (TWO-WAY AMBER MARKER) (80' C-C) 14 RAISED REFLECTIVE PAVEMENT MARKERS (ONE-WAY CRYSTAL MARKER) (40' C-C) |
|--|--|

FILE NAME = \\S:\PROJ\3366\3366_21\Drawings\Proposed\Plan\3366_21_Prop21.dgn

CG Ciorba Group, Inc.
 CONSULTING ENGINEERS
 6507 North Cumberland Avenue, Suite 402
 Chicago, Illinois 60656
 Tel. 773.775.4009 Fax 773.775.4014

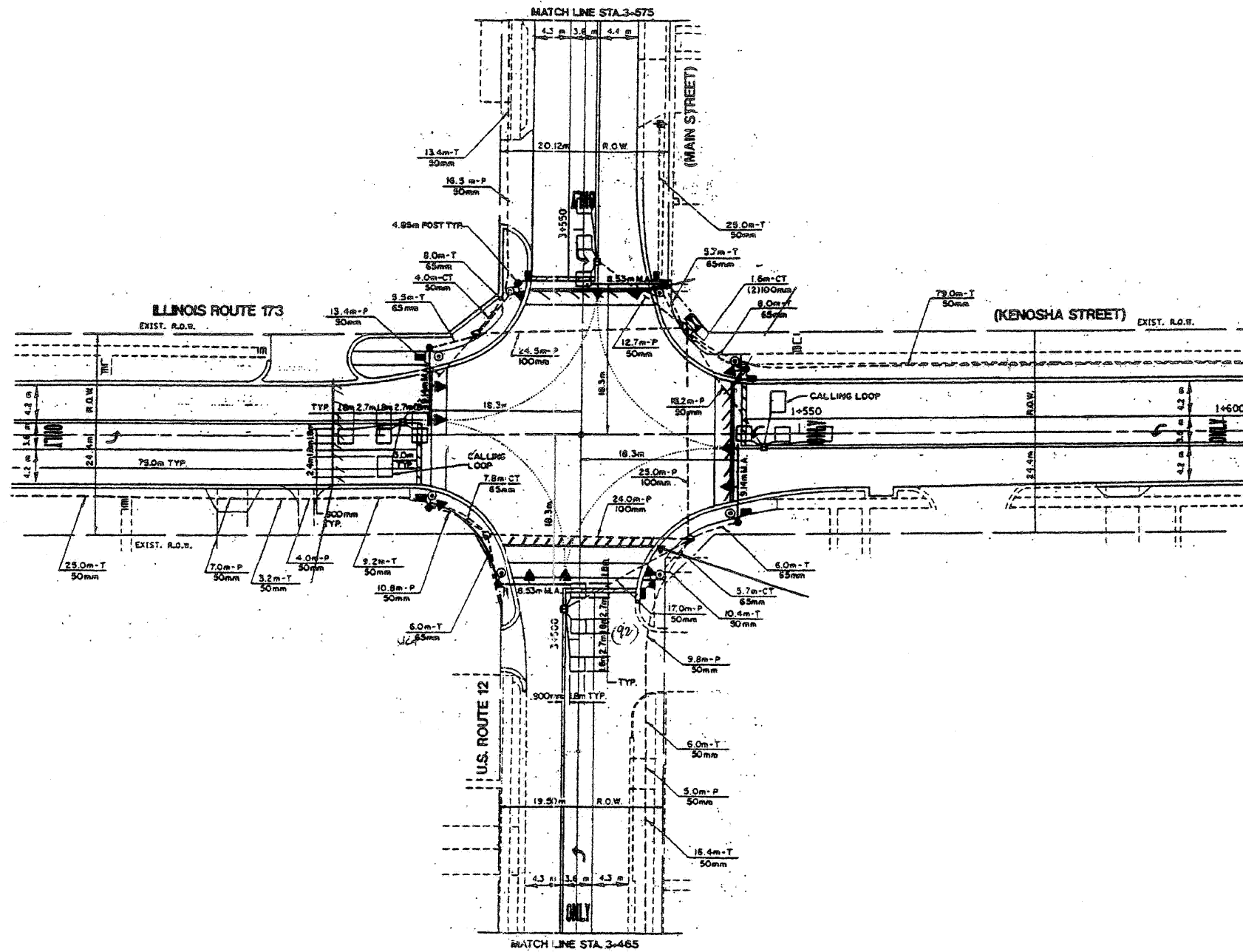
USER NAME = m-ready	DESIGNED - DD	REVISED -
PLOT SCALE = 50.0000' / IN.	DRAWN - RJR	REVISED -
PLOT DATE = 4/21/2009	CHECKED - SNS	REVISED -
	DATE - 4/22/09	REVISED -

**STATE OF ILLINOIS
 DEPARTMENT OF TRANSPORTATION**

**IL 173
 ALDEN ROAD TO US 12
 PROPOSED ROADWAY AND PAVEMENT MARKING PLAN**

SCALE: 1"=50' SHEET NO. 25 OF 36 SHEETS STA. 697+00 TO STA. 700+00

F.A.P. RTE.	SECTION	COUNTY	TOTAL SHEETS	SHEET NO.
303	(132, 133 & 134) RS-5	MCHENRY	36	25
CONTRACT NO. 62496				
FED. ROAD DIST. NO. 1 ILLINOIS FED. AID PROJECT				



REPLACE ALL DETECTOR LOOPS AS SHOWN
(WITHIN PROJECT LIMITS)

CODE NO.	QUANTITY	UNIT	ITEM
86600600	150	FOOT	DETECTOR LOOP REPLACEMENT

FILE NAME = c:\pwork\3368\3368_21\detloop\Signal\3368_21\Loop01.dgn

CG Ciorba Group, Inc.
CONSULTING ENGINEERS
5507 North Cumberland Avenue, Suite 402
Chicago, Illinois 60656
Tel. 773.775.4009 Fax 773.775.4014

USER NAME = alau	DESIGNED - EPS	REVISED -
PLOT SCALE = 1:8000 1/4 IN.	DRAWN - EPS	REVISED -
PLOT DATE = 4/21/2009	CHECKED - WBL	REVISED -
	DATE - 4/22/09	REVISED -

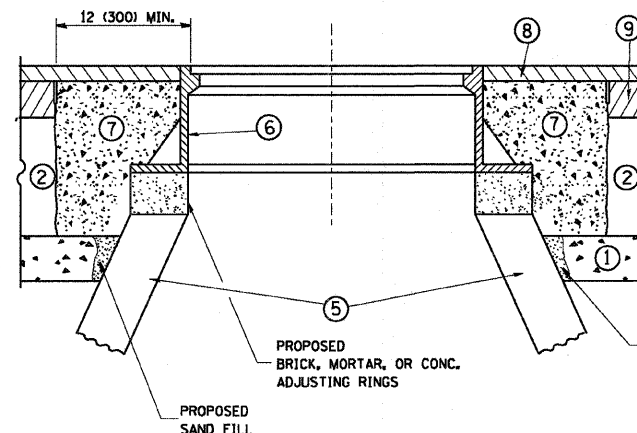
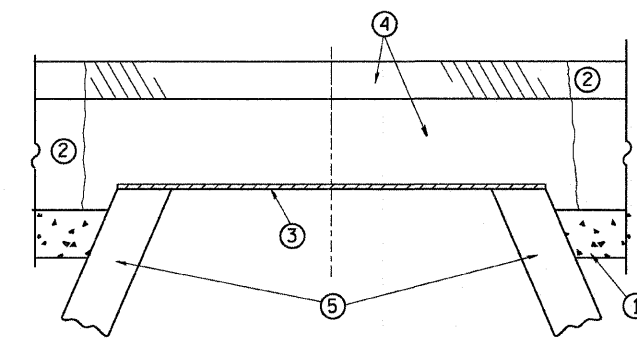
**STATE OF ILLINOIS
DEPARTMENT OF TRANSPORTATION**

**IL 173
ALDEN ROAD TO US 12
DETECTOR LOOP REPLACEMENT PLAN**

SCALE: N.T.S. SHEET NO. 26 OF 36 SHEETS STA. TO STA.

F.A.P. RTE.	SECTION	COUNTY	TOTAL SHEETS	SHEET NO.
303	(132, 133 & 134) RS-5	MCHENRY	36	26
CONTRACT NO. 62496				

FED. ROAD DIST. NO. 1 ILLINOIS FED. AID PROJECT



CONSTRUCTION PROCEDURES

- STAGE 1 (BEFORE PAVEMENT MILLING)**
- A) REMOVE A MINIMUM OF 12 (300) OF THE PAVEMENT FROM AROUND THE STRUCTURE.
 - B) REMOVE THE EXISTING FRAME AND LID FROM THE STRUCTURE.
 - C) COVER THE STRUCTURE OPENING WITH A 36 (900) DIAMETER METAL PLATE.
 - D) BACKFILL WITH CRUSHED STONE AND A MINIMUM 1 1/2 (40) THICK HMA SURFACE MIX APPROVED BY THE ENGINEER.
- STAGE 2 (AFTER PAVEMENT MILLING)**
- A) REMOVE THE HMA SURFACE MIX AND CRUSHED STONE.
 - B) INSTALL THE FRAME AND LID; ADJUST THE FRAME TO ITS FINAL SURFACE ELEVATION.
 - C) THE SURROUNDING SPACE SHALL BE FILLED WITH CLASS SI CONCRETE, OR HMA SURFACE COURSE OR HMA BINDER COURSE TO THE ELEVATION OF THE SURFACE OF THE EXISTING BASE COURSE OR THE BINDER COURSE.

THE PROCEDURE EXPLAINED ABOVE SHALL CONFORM TO THE APPLICABLE PORTIONS OF SECTIONS 353, 406, 602, AND 603 OF THE STANDARD SPECIFICATIONS.

LEGEND

- ① SUB-BASE GRANULAR MATERIAL
- ② EXISTING PAVEMENT
- ③ 36 (900) DIAMETER METAL PLATE
- ④ PROPOSED CRUSHED STONE AND HMA SURFACE MIX
- ⑤ EXISTING STRUCTURE
- ⑥ FRAME AND LID (SEE NOTES)
- ⑦ CLASS SI CONCRETE, HMA SURFACE COURSE OR HMA BINDER COURSE
- ⑧ PROPOSED HMA SURFACE COURSE
- ⑨ PROPOSED HMA BINDER COURSE

NOTES:

EXISTING BROKEN FRAMES AND LIDS SHALL BE REMOVED AND DISPOSED OF BY THE CONTRACTOR AND SHALL BE REPLACED AS DIRECTED BY THE ENGINEER. REPLACEMENT FRAMES AND LIDS WILL BE PAID FOR IN ACCORDANCE WITH ARTICLE 109.04 OF THE STANDARD SPECIFICATIONS UNLESS A SEPARATE PAY ITEM HAS BEEN PROVIDED.

IF THE EXISTING LIDS ARE OPEN, THE FRAME WILL BE ADJUSTED TO THE ELEVATION OF THE MILLED PAVEMENT SURFACE PRIOR TO THE MILLING OPERATION. THE FRAME WILL NOT BE REMOVED AND COVERED BY THE METAL PLATE.

CITY OF CHICAGO CASTINGS ARE THE PROPERTY OF THE CITY AND THE CONTRACTOR SHALL NOTIFY THE CITY FOR REMOVAL AND DISPOSITION OF THE CASTINGS.

THE METAL PLATE USED TO COVER THE STRUCTURE SHALL REMAIN THE PROPERTY OF THE CONTRACTOR.

WHEN STRUCTURES ARE TO BE ADJUSTED OR RECONSTRUCTED, THE LOWERING AND RAISING OF THE FRAMES AND LIDS WILL NOT BE PAID FOR SEPARATELY BUT WILL BE INCLUDED IN THE COST OF THE CORRESPONDING PAY ITEM.

LOCATION OF STRUCTURES:

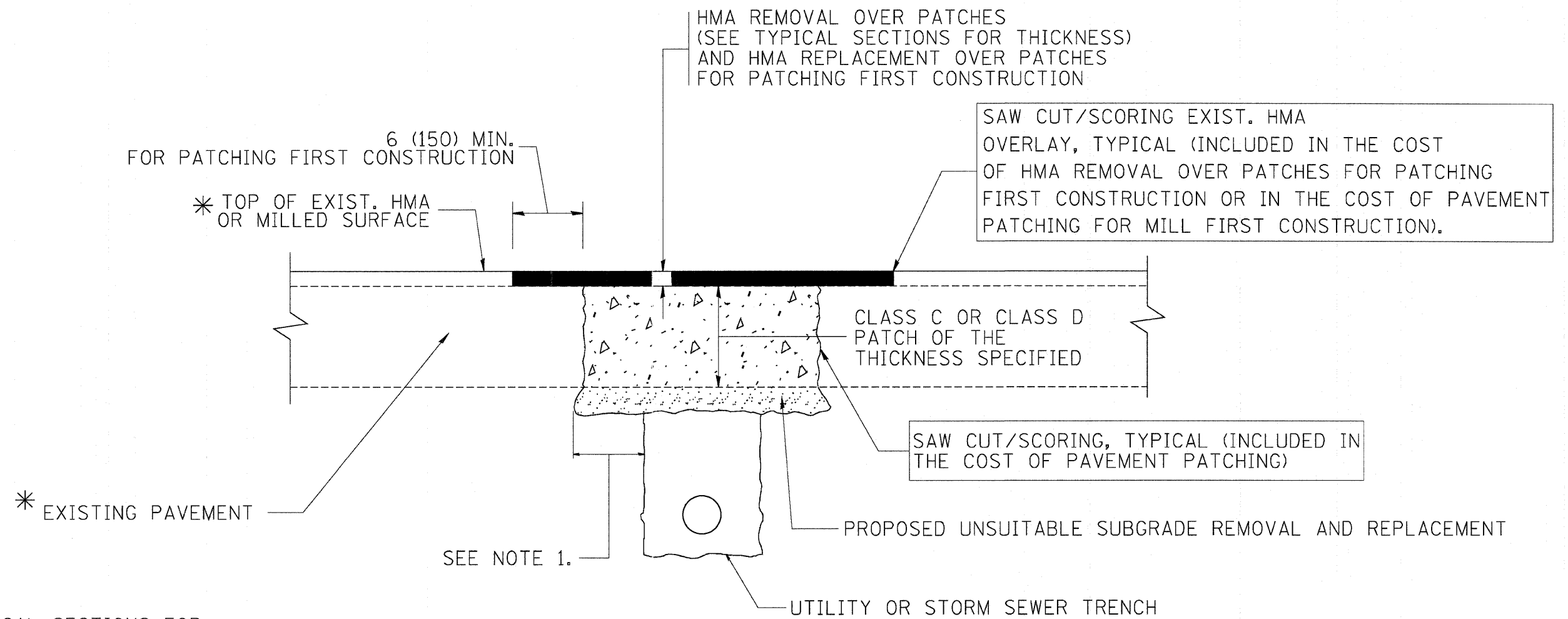
THE CONTRACTOR WILL BE REQUIRED TO KEEP A RECORD OF THE LOCATIONS OF THE BURIED STRUCTURES ACCORDING TO THE STATION AND DISTANCE LEFT OR RIGHT OF THE CENTERLINE OF PAVEMENT. UPON COMPLETION OF THE WORK, THE CONTRACTOR WILL DELIVER THE RECORD TO THE ENGINEER.

BASIS OF PAYMENT: THIS WORK WILL BE PAID FOR AT THE CONTRACT UNIT PRICE PER EACH FOR "FRAMES AND LIDS TO BE ADJUSTED, SPECIAL" NEW FRAMES AND LIDS, WHEN SPECIFIED, WILL BE PAID FOR SEPARATELY.

DETAILS FOR FRAMES AND LIDS ADJUSTMENT WITH MILLING

ALL DIMENSIONS ARE IN INCHES (MILLIMETERS) UNLESS OTHERWISE SHOWN

FILE NAME = W:\distatd\22x34\bd08.dgn	USER NAME = geglienobt	DESIGNED - R. SHAH	REVISED - R. SHAH 03-10-95	STATE OF ILLINOIS DEPARTMENT OF TRANSPORTATION	DETAILS FOR FRAMES AND LIDS ADJUSTMENT WITH MILLING		F.A.P. RTE. 303	SECTION (132, 133 & 134) RS-5	COUNTY MCHENRY	TOTAL SHEETS 36	SHEET NO. 27
	PLOT SCALE = 50.0000 ' / IN.	DRAWN -	REVISED - A. ABBAS 03-21-97		SCALE: NONE	SHEET NO. 1 OF 1 SHEETS	STA. TO STA.	BD600-03 (BD-8)		CONTRACT NO. 62496	
	PLOT DATE = 1/4/2008	CHECKED -	REVISED - R. WIEDEMAN 05-14-04		FED. ROAD DIST. NO. 1 ILLINOIS FED. AID PROJECT						
		DATE - 10-25-94	REVISED - R. BORO 01-01-07								



* SEE TYPICAL SECTIONS FOR THICKNESS AND MATERIALS

NOTES:

1. THE WIDTH OF THE FULL DEPTH PATCH OVER A TRENCH SHALL BE 12 (300) WIDER ON EACH SIDE OF THE TRENCH.
2. FOR METHOD OF MEASUREMENT AND BASIS OF PAYMENT, SEE RECURRING SPECIAL PROVISION "PATCHING WITH HOT-MIX ASPHALT OVERLAY REMOVAL".

SEQUENCE OF CONSTRUCTION (PATCHING FIRST)

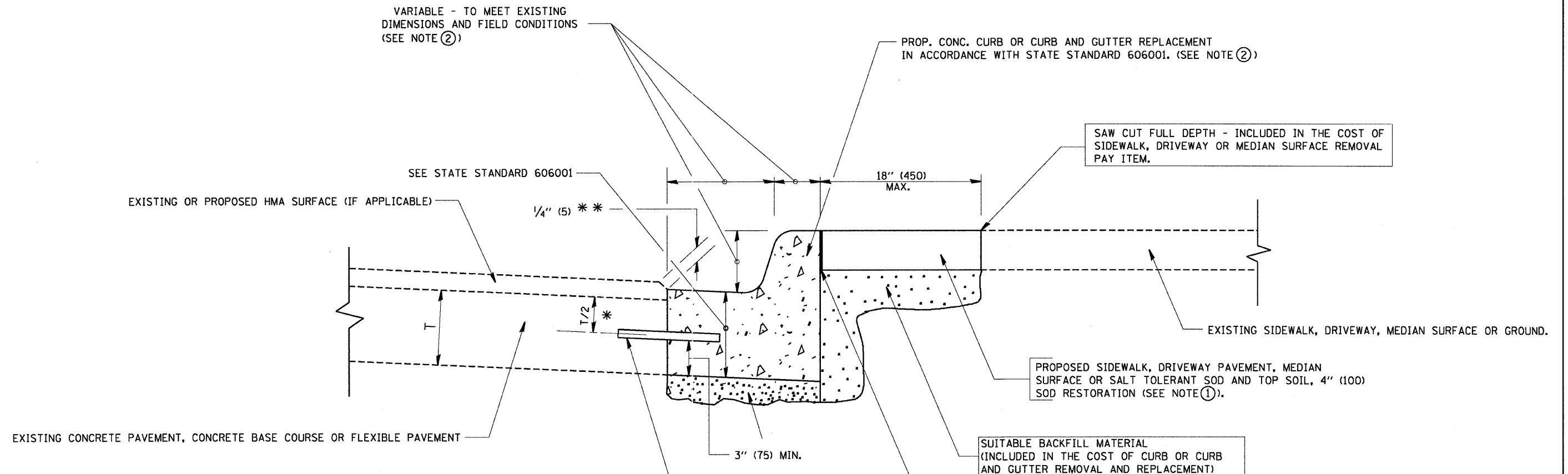
1. REMOVE THE EXISTING HMA MATERIAL OVER THE AREA TO BE PATCHED.
2. REMOVE AND REPLACE WITH CLASS C OR D PATCH.
3. REPLACE HMA MATERIAL OVER THE AREA TO BE PATCHED.

SEQUENCE OF CONSTRUCTION (MILLING FIRST)

1. MILL HMA FIRST IF THERE IS AT LEAST 4 1/2 INCHES OR MORE OF HMA MATERIAL ON TOP OF THE EXISTING PAVEMENT OR IF THE PAVEMENT IS FULL DEPTH HMA. A MINIMUM OF 2 INCHES OF HMA MATERIAL SHALL BE IN PLACE AFTER MILLING.
2. REMOVE AND REPLACE WITH FULL DEPTH CLASS D PATCHES TO TOP OF MILLED SURFACE.

ALL DIMENSIONS ARE IN INCHES (MILLIMETERS) UNLESS OTHERWISE SHOWN.

FILE NAME = c:\projects\distatd22x34\bd22.dgn	USER NAME = bouerd1	DESIGNED - R. SHAH	REVISED - A. ABBAS 04-27-98	STATE OF ILLINOIS DEPARTMENT OF TRANSPORTATION	PAVEMENT PATCHING FOR HMA SURFACED PAVEMENT			F.A.P. RTE. 303	SECTION (132, 133 & 134) RS-5	COUNTY MCHENRY	TOTAL SHEETS 36	SHEET NO. 28
	PLOT SCALE = 50.000' / IN.	CHECKED -	REVISED - R. BORO 01-01-07		SCALE: NONE	SHEET NO. 1 OF 1 SHEETS	STA.	TO STA.	BD400-04 (BD-22)		CONTRACT NO. 62496	
	PLOT DATE = 10/27/2008	DATE - 10-25-94	REVISED - R. BORO 09-04-07		FED. ROAD DIST. NO. 1 ILLINOIS FED. AID PROJECT							
			REVISED - K. ENG 10-27-08									



* 3" (75) MINIMUM FROM TOP AND BOTTOM OF THE CONCRETE PAVEMENT OR BASE COURSE.

* * IF THE FINAL SURFACE OF THE PAVEMENT IS CONCRETE, THE GUTTER IS TO BE FLUSH WITH THE PAVEMENT.

NOTE: ① SIDEWALK, DRIVEWAY PAVEMENT OR MEDIAN SURFACE SHALL BE SIMILAR TO THE MATERIAL BEING REMOVED AND WILL BE PAID FOR SEPARATELY.

SALT TOLERANT SOD AND TOP SOIL, 4" (100) RESTORATION WILL NOT BE PAID FOR SEPARATELY, BUT SHALL BE INCLUDED IN THE COST OF CURB OR CURB AND GUTTER REMOVAL AND REPLACEMENT.

② CURB OR CURB AND GUTTER REPLACEMENT SHALL MATCH THE SHAPE OF THE EXISTING CURB OR CURB AND GUTTER UNLESS OTHERWISE SPECIFIED.

③ FOR CURB OR CURB AND GUTTER REMOVAL AND REPLACEMENT ADJACENT TO FLEXIBLE PAVEMENT DELETE EPOXY COATED TIE BARS.

④ LONGITUDINAL BARS, IF ENCOUNTERED IN THE EXISTING CURB OR CURB AND GUTTER, ARE NOT TO BE REPLACED. CUTTING AND REMOVING LONGITUDINAL BARS SHALL BE INCLUDED IN THE COST OF CURB OR CURB AND GUTTER REMOVAL AND REPLACEMENT.

⑤ THE COST OF HMA SURFACE REMOVAL IN THE EXISTING GUTTER FLAG SHALL BE INCLUDED IN THE COST OF THE CURB AND GUTTER REMOVAL AND REPLACEMENT.

⑥ THE REMOVAL AND REPLACEMENT OF THE EXISTING CURB OR CURB AND GUTTER SHALL BE DONE IN ACCORDANCE WITH THE APPLICABLE PORTIONS OF SECTION 440 AND 606 OF THE STANDARD SPECIFICATIONS.

⑦ THE LOCATIONS OF REMOVAL AND REPLACEMENT OF EXISTING CURB OR CURB AND GUTTER SHALL BE DETERMINED BY THE RESIDENT ENGINEER AT THE TIME OF CONSTRUCTION.

UNSUITABLE SUB-BASE MATERIAL TO BE REMOVED, IF DIRECTED BY THE ENGINEER, SHALL BE REPLACED WITH EITHER SUB-BASE GRANULAR MATERIAL, TYPE B OR ADDITIONAL THICKNESS OF CONCRETE.

REMOVAL AND REPLACEMENT 4" (100) OR LESS IS INCLUDED IN THE COST OF CURB OR CURB AND GUTTER REMOVAL AND REPLACEMENT.

REMOVAL AND REPLACEMENT IN EXCESS OF 4" (100) WILL BE PAID FOR IN ACCORDANCE WITH ARTICLE 109.04 OF THE STANDARD SPECIFICATIONS.

PROPOSED #6 (20) EPOXY COATED TIE BARS 24" (600) LONG AT 24" (600) CENTERS WILL NOT BE PAID FOR SEPARATELY. DELETE EPOXY COATED TIE BARS IF EXISTING TIE BARS ARE USABLE AS DETERMINED BY THE ENGINEER. (SEE NOTE ③).

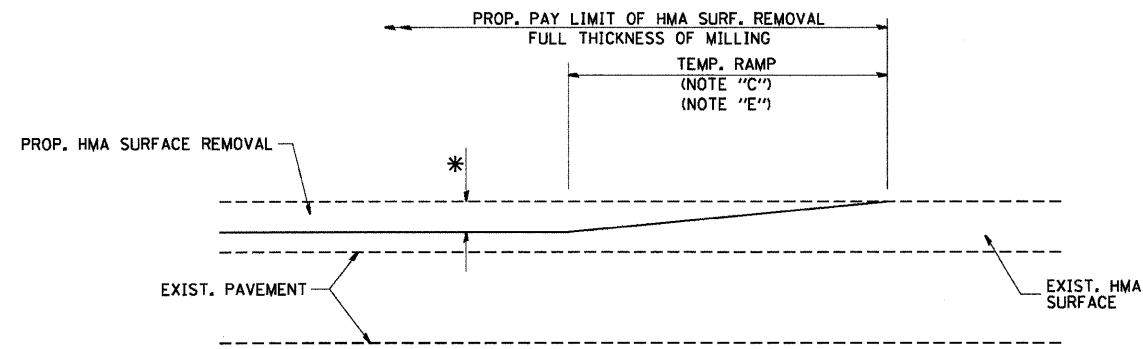
BASIS OF PAYMENT:

THIS WORK WILL BE PAID FOR AT THE CONTRACT UNIT PRICE PER FOOT (METER) FOR "CURB REMOVAL AND REPLACEMENT" OR "COMBINATION CONCRETE CURB AND GUTTER REMOVAL AND REPLACEMENT".

CURB OR CURB AND GUTTER REMOVAL AND REPLACEMENT

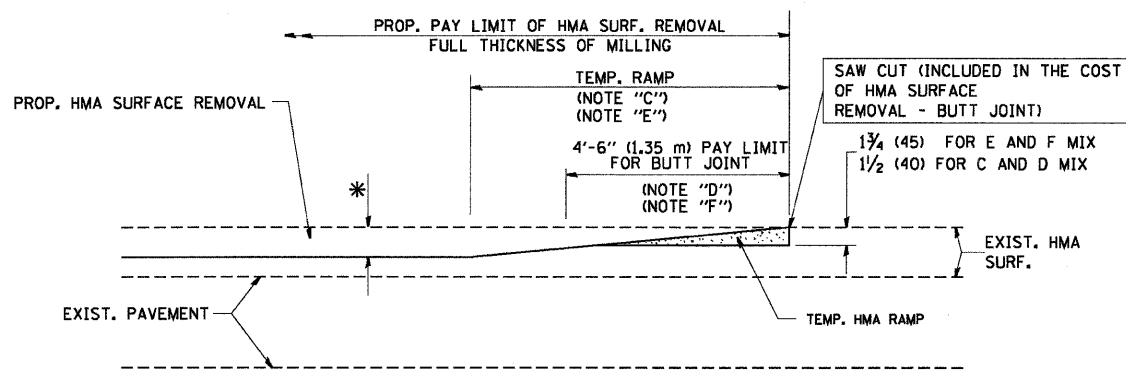
ALL DIMENSIONS ARE IN INCHES (MILLIMETERS) UNLESS OTHERWISE SHOWN.

FILE NAME = W:\diststd\22x34\bd24.dgn	USER NAME = gogienobt	DESIGNED - A. HOUSEH	REVISED - R. SHAH 10-03-96	STATE OF ILLINOIS DEPARTMENT OF TRANSPORTATION	CURB OR CURB AND GUTTER REMOVAL AND REPLACEMENT	F.A.P. RTE.	SECTION	COUNTY	TOTAL SHEETS	SHEET NO.
		DRAWN -	REVISED - A. ABBAS 03-21-97			303	(132, 133 & 134) RS-5	MCHENRY	36	29
		CHECKED -	REVISED - M. GOMEZ 01-22-01			BD600-06 (BD-24)		CONTRACT NO. 62496		
		DATE - 03-11-94	REVISED - R. BORO 01-01-07			SCALE: NONE	SHEET NO. 1 OF 1 SHEETS	STA.	TO STA.	FED. ROAD DIST. NO. 1 ILLINOIS FED. AID PROJECT



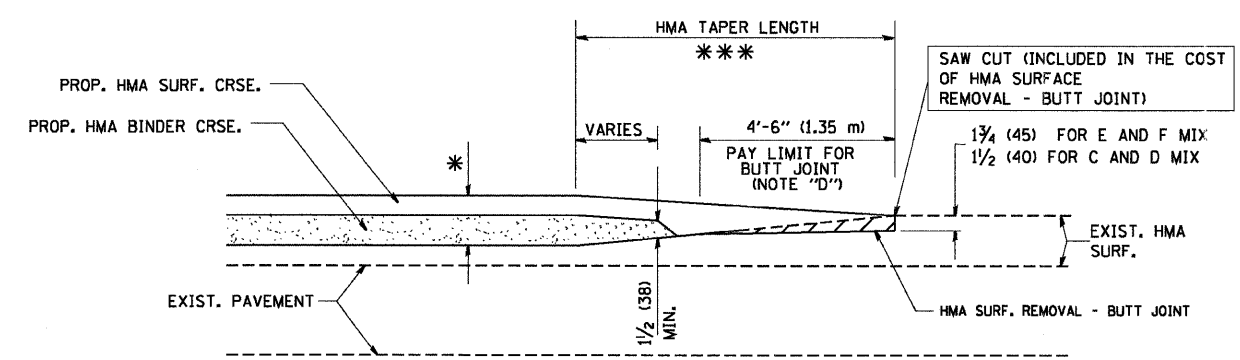
MILLED TEMPORARY RAMP
(FOR BUTT JOINT AND HMA TAPER SEE DETAIL BELOW)

OPTION 1



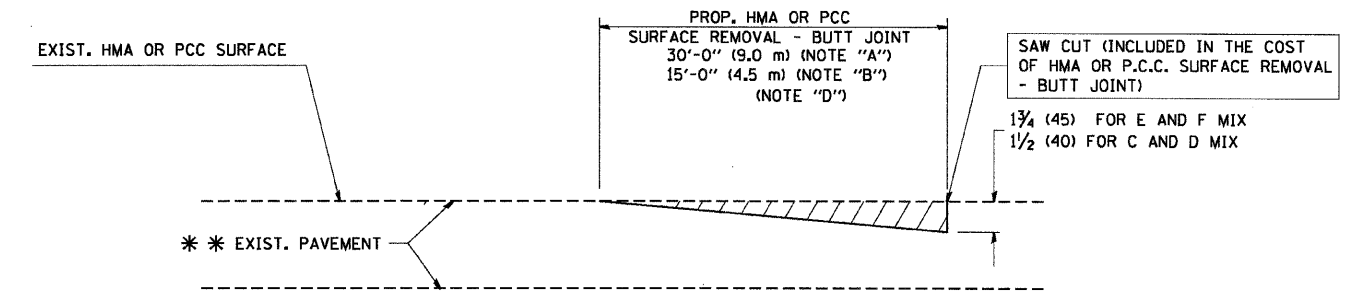
HMA CONSTRUCTED TEMPORARY RAMP
(FOR BUTT JOINT AND HMA TAPER SEE DETAIL BELOW)

OPTION 2
TYPICAL TEMPORARY RAMP

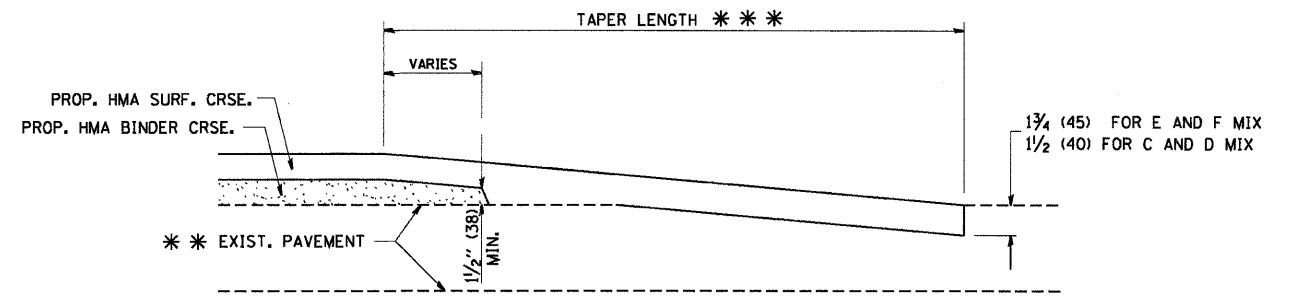


BUTT JOINT AND HMA TAPER

TYPICAL BUTT JOINT AND HMA TAPER
FOR MILLING AND RESURFACING



BUTT JOINT DETAIL



HMA TAPER DETAIL

TYPICAL BUTT JOINT AND HMA TAPER
FOR RESURFACING ONLY

*** PC CONCRETE, HMA OR HMA RESURFACED PAVEMENT.

NOTES

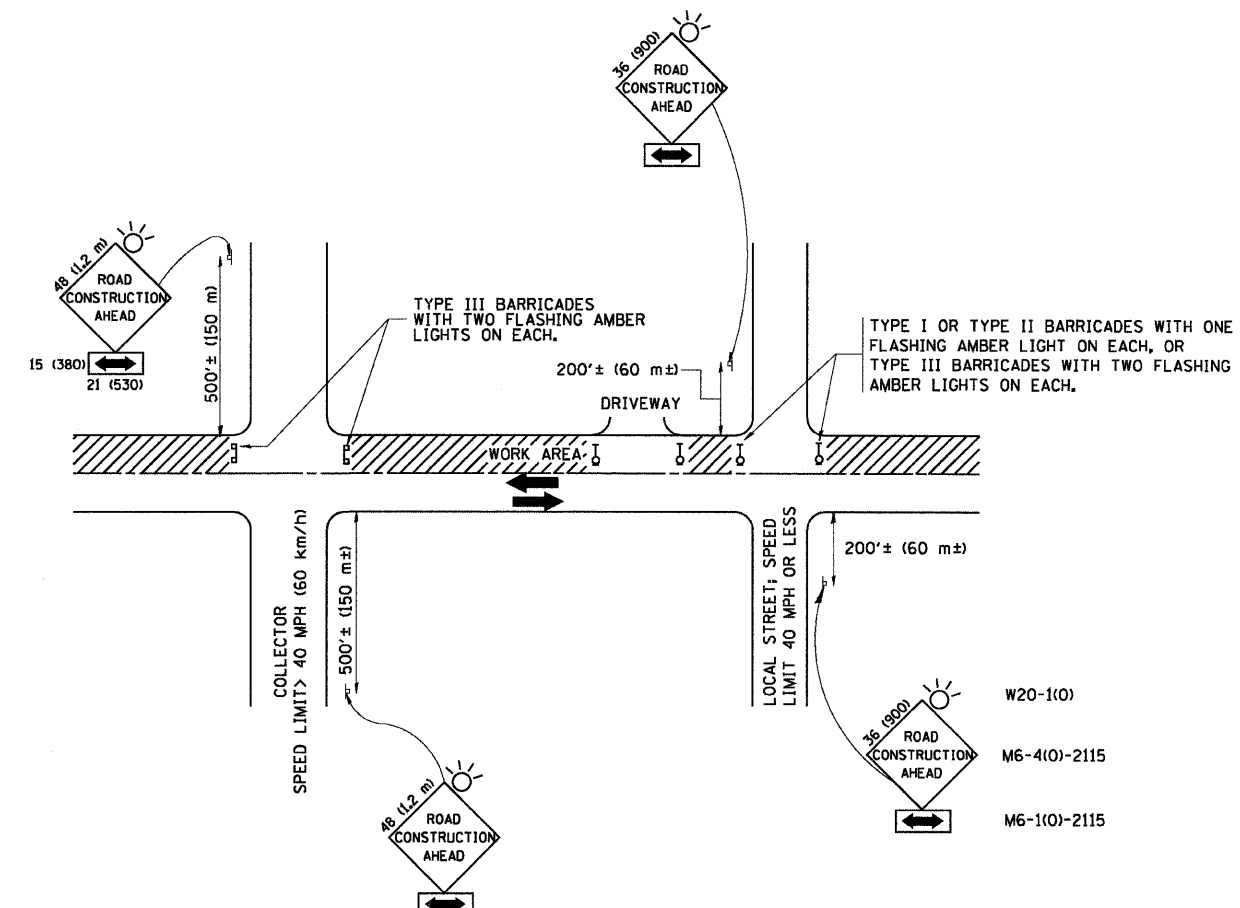
- A: MAINLINE ROADWAYS AND MAJOR SIDE ROADS.
- B: MINOR SIDE ROADS.
- C: THE TEMP. RAMP SHALL BE CONSTRUCTED IMMEDIATELY UPON REMOVAL OF THE EXISTING HMA SURFACE.
- D: THE BUTT JOINT SHALL BE CONSTRUCTED IMMEDIATELY PRIOR TO PLACING THE PROPOSED HMA COURSES.
- E: TAPER THE TEMP. RAMP AT A RATE OF 3'-0" (900 mm) PER 1 INCH (25 mm) OF MILLING THICKNESS.
- F: INSTALLATION AND REMOVAL OF THE 4'-6" (1.35 m) TEMP. RAMP IS INCLUDED IN COST OF HMA SURFACE REMOVAL - BUTT JOINT
- G: SEE ARTICLE 406.08 AND 406.14 OF THE STANDARD SPECIFICATIONS FOR "HMA AND/OR PCC SURFACE REMOVAL, BUTT JOINT".
- * SEE TYPICAL SECTIONS FOR MILLING THICKNESS.
- *** 20'-0" (6.1 m) PER 1 (25) RESURFACING (NOTE "A")
10'-0" (3.0 m) PER 1 (25) RESURFACING (NOTE "B")

BASIS OF PAYMENT:

THE BUTT JOINT WILL BE PAID FOR AT THE CONTRACT UNIT PRICE PER SQUARE YARD (SQUARE METER) FOR "HOT-MIX ASPHALT SURFACE REMOVAL - BUTT JOINT" OR FOR "PORTLAND CEMENT CONCRETE SURFACE REMOVAL - BUTT JOINT".

ALL DIMENSIONS ARE IN INCHES (MILLIMETERS) UNLESS OTHERWISE SHOWN.

FILE NAME = W:\diststd\22x34\bd32.dgn	USER NAME = geglienobt	DESIGNED - M. DE YONG	REVISED - R. SHAH 10-25-94	STATE OF ILLINOIS DEPARTMENT OF TRANSPORTATION	BUTT JOINT AND HMA TAPER DETAILS		F.A.P. RTE. 303	SECTION (132, 133 & 134) RS-5	COUNTY MCHENRY	TOTAL SHEETS 36	SHEET NO. 30
PLOT SCALE = 50.0000 "/>											



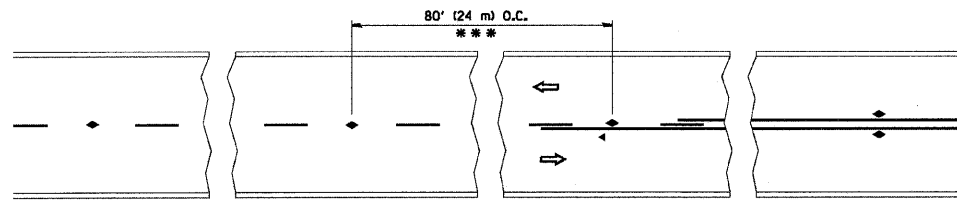
TRAFFIC CONTROL AND PROTECTION FOR SIDE ROADS, INTERSECTIONS, AND DRIVEWAYS

NOTES:

- A. FOR NO LANE RESTRICTION ON THE SIDE ROAD OR DRIVEWAYS**
- SIDE ROAD WITH A SPEED LIMIT OF 40 MPH (60 km/h) OR LESS AS SHOWN ON THE DRAWING AND AS DIRECTED BY THE ENGINEER:
 - ONE ROAD CONSTRUCTION AHEAD SIGN 36 x 36 (900x900) WITH A FLASHER AND FLAG MOUNTED ON IT APPROXIMATELY 200' (60 m) IN ADVANCE OF THE MAIN ROUTE.
 - THE CLOSED PORTION OF THE MAIN ROUTE SHALL BE PROTECTED BY BLOCKING WITH TYPE I, TYPE II OR TYPE III BARRICADES, 1/3 OF THE CROSS SECTION OF THE CLOSED PORTION.
 - SIDE ROAD WITH A SPEED LIMIT GREATER THAN 40 MPH (60 km/h) AS SHOWN ON THE DRAWING AND AS DIRECTED BY THE ENGINEER:
 - ONE ROAD CONSTRUCTION AHEAD SIGN 48 x 48 (1.2 m x 1.2 m) WITH A FLASHER MOUNTED ON IT APPROXIMATELY 500' (150 m) IN ADVANCE OF THE MAIN ROUTE.
 - THE CLOSED PORTION OF THE MAIN ROUTE SHALL BE PROTECTED BY BLOCKING WITH TYPE III BARRICADES, 1/2 OF THE CROSS SECTION OF THE CLOSED PORTION.
 - WHEN THE SIDE ROAD LIES BETWEEN THE BEGINNING OF THE MAINLINE SIGNING AND THE WORK ZONE, A SINGLE HEADED ARROW (M6-1) SHALL BE USED IN LIEU OF THE DOUBLE HEADED ARROW (M6-4).
- B. FOR A LANE CLOSURE ON A SIDE ROAD OR DRIVEWAY:**
- USE APPLICABLE PORTIONS OF THE TYPICAL APPLICATION OF TRAFFIC CONTROL DEVICES (STD. 701501, STD. 701606 OR THE APPROPRIATE STANDARD). THE SPACING OF SIGNS AND BARRICADES SHALL BE ADJUSTED FOR FIELD CONDITIONS AS DIRECTED BY THE ENGINEER. THE DIRECTIONAL ARROW SHALL BE COVERED OR REMOVED WHEN NO LONGER CONSISTENT WITH THE SIDE ROAD LANE CLOSURE.
- C. ADVANCE WARNING SIGNS ARE TO BE OMITTED ON DRIVEWAY UNLESS OTHERWISE NOTED.**
- D. THE TRAFFIC CONTROL AND PROTECTION FOR SIDE ROADS, INTERSECTIONS, AND DRIVEWAYS SHALL BE INCIDENTAL TO THE COST OF SPECIFIED TRAFFIC CONTROL STANDARDS OR ITEMS.**

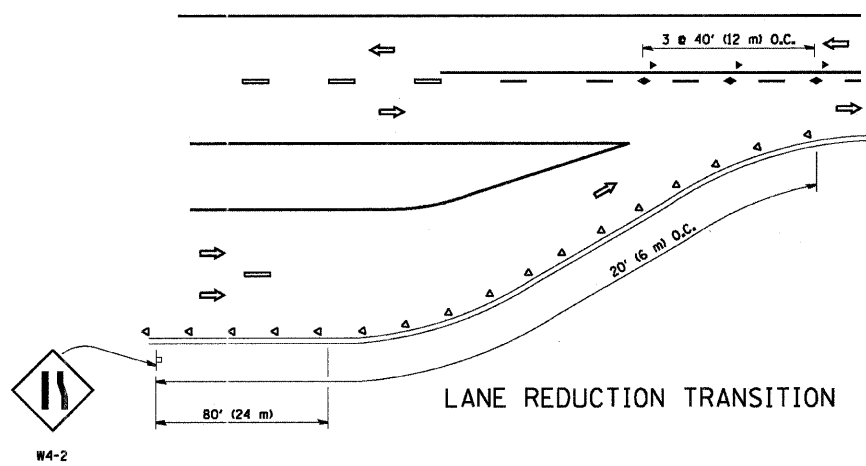
All dimensions are in millimeters (inches) unless otherwise shown.

FILE NAME = W:\diststd\22x34\tdl0.dgn	USER NAME = gogliobt	DESIGNED - LHA	REVISED - J. OBERLE 10-18-95	STATE OF ILLINOIS DEPARTMENT OF TRANSPORTATION	TRAFFIC CONTROL AND PROTECTION FOR SIDE ROADS, INTERSECTIONS, AND DRIVEWAYS			F.A.P. RTE.	SECTION	COUNTY	TOTAL SHEETS	SHEET NO.
	PLOT SCALE = 50,000' / IN.	DRAWN -	REVISED - A. HOUSEH 03-06-96					303	(132, 133 & 134) RS-5	MCHENRY	36	31
	PLOT DATE = 1/4/2008	CHECKED -	REVISED - A. HOUSEH 10-15-96					TC-10			CONTRACT NO. 62496	
	DATE - 06-89	REVISED - T. RAMMACHER 01-06-00	SCALE: NONE					SHEET NO. 1 OF 1 SHEETS	STA. TO STA.	FED. ROAD DIST. NO. 1 ILLINOIS FED. AID PROJECT		

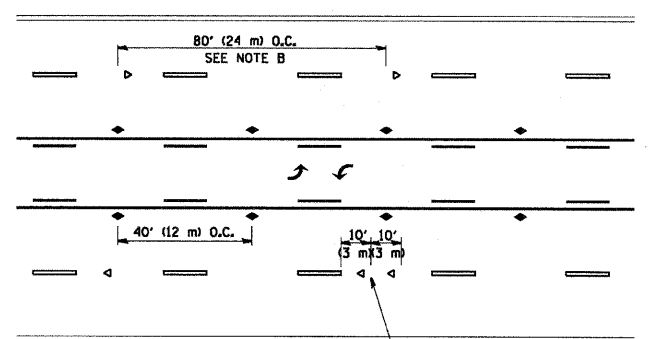


*** REDUCE TO 40' (12 m) O.C. ON CURVES WITH POSTED OR ADVISORY SPEED 45 M.P.H. (70 km/h) OR LESS.

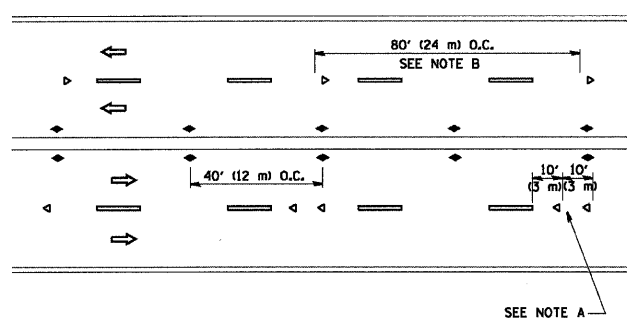
TWO-LANE/TWO-WAY



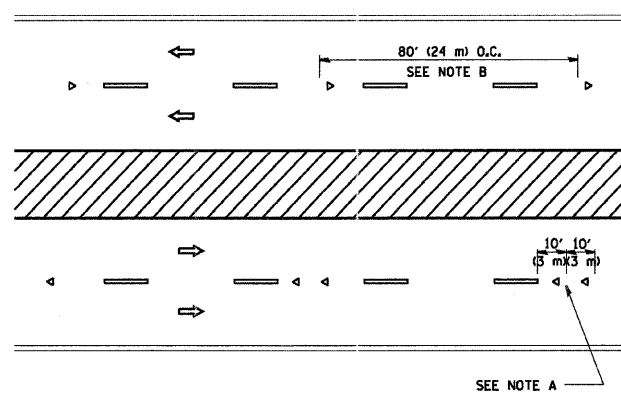
LANE REDUCTION TRANSITION



TWO-WAY LEFT TURN



MULTI-LANE/UNDIVIDED



MULTI-LANE/DIVIDED

GENERAL NOTES

1. MARKERS USED WITH DASHED LINES SHALL BE CENTERED IN THE GAP BETWEEN SEGMENTS.
2. MARKERS USED ADJACENT TO SOLID LINES SHALL BE OFFSET 2 TO 3 (50 TO 75) TOWARD TRAFFIC AS SHOWN.
3. MARKERS THROUGH TANGENTS LESS THAN 500' (150 m) IN LENGTH BETWEEN CURVES SHALL BE INSTALLED AT THE LESSER OF THE TWO CURVE SPACINGS.

SYMBOLS

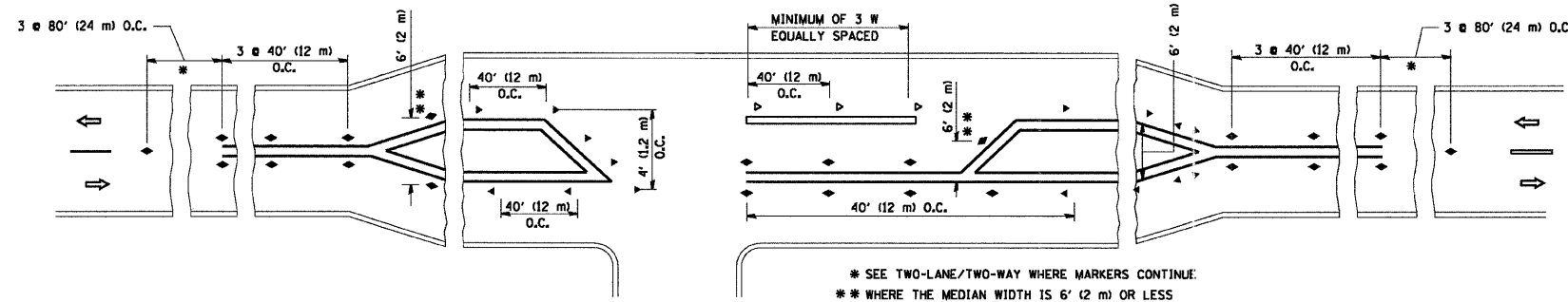
- YELLOW STRIPE
- WHITE STRIPE
- ◀ ONE-WAY AMBER MARKER
- ◁ ONE-WAY CRYSTAL MARKER (W/O)
- ◆ TWO-WAY AMBER MARKER

LANE MARKER NOTES

- B. REDUCE TO 40' (12 m) O.C. ON CURVES WHERE ADVISORY SPEEDS ARE 10 M.P.H. (20 km/h) LOWER THAN POSTED SPEEDS.
- A. USE DOUBLE LANE LINE MARKERS SPACED AS SHOWN.

DESIGN NOTES

1. DOUBLE LANE LINE MARKERS SHALL BE USED UNLESS SPECIFIED OTHERWISE.
2. EXCEPT AS SHOWN ON THE LANE REDUCTION TRANSITION AND FREEWAY EXIT RAMP DETAIL, MARKERS ARE NOT TO BE SPECIFIED ON RIGHT EDGE LINES.
3. THE EXACT MARKER LIMITS, SPACING, AND COLOR SHOULD BE INCLUDED IN THE PLANS.
4. MARKERS SHOULD NOT BE USED ALONGSIDE CURBS EXCEPT FOR EXTREMELY SHORT SECTIONS OF CURBS WHERE NOT MORE THAN TWO MARKERS WOULD BE INVOLVED.

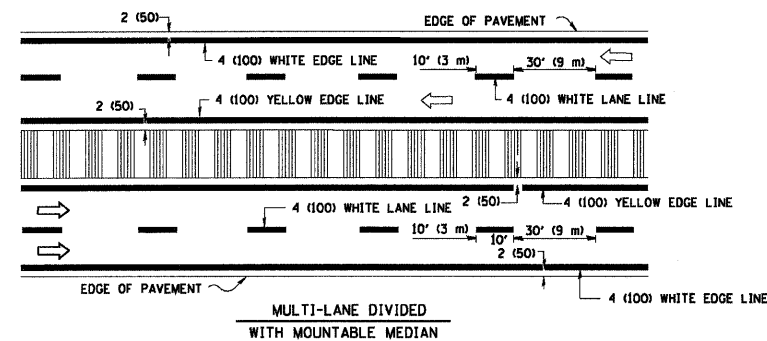
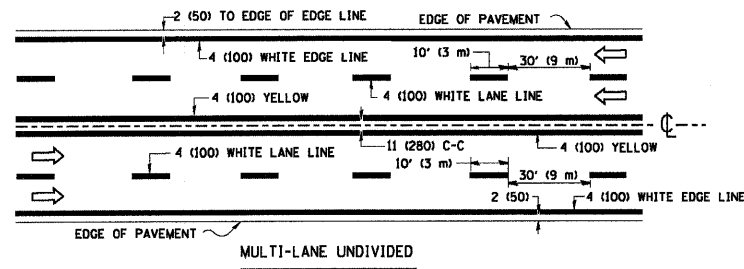
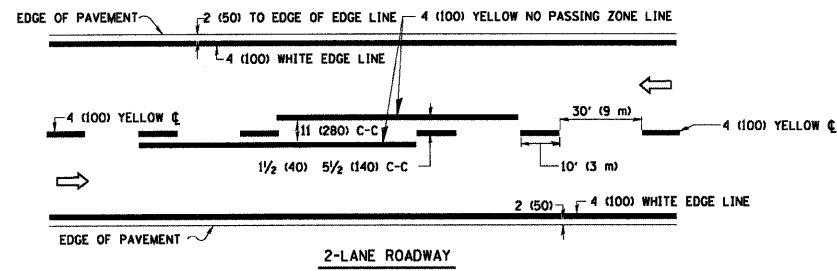


LEFT TURN

* SEE TWO-LANE/TWO-WAY WHERE MARKERS CONTINUE.
 ** WHERE THE MEDIAN WIDTH IS 6' (2 m) OR LESS USE TWO-WAY MARKERS.

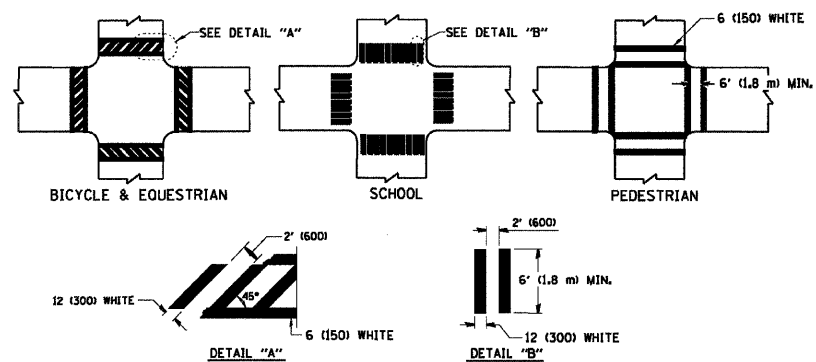
All dimensions are in inches (millimeters) unless otherwise shown.

FILE NAME = W:\diststd\22x34\to11.dgn	USER NAME = gogliobt	DESIGNED -	REVISED - T. RAMMACHER 09-19-94	STATE OF ILLINOIS DEPARTMENT OF TRANSPORTATION	TYPICAL APPLICATIONS		F.A.P. RTE.	SECTION	COUNTY	TOTAL SHEETS	SHEET NO.
		DRAWN -	REVISED - T. RAMMACHER 03-12-99		RAISED REFLECTIVE PAVEMENT MARKERS (SNOW-PLOW RESISTANT)		303	(132, 133 & 134) RS-5	MCHENRY	36	32
		CHECKED -	REVISED - T. RAMMACHER 01-06-00		SCALE: NONE	SHEET NO. 1 OF 1 SHEETS	STA.	TO STA.	TC-11		CONTRACT NO. 62496
		DATE -	REVISED -						FED. ROAD DIST. NO. 1 ILLINOIS FED. AID PROJECT		

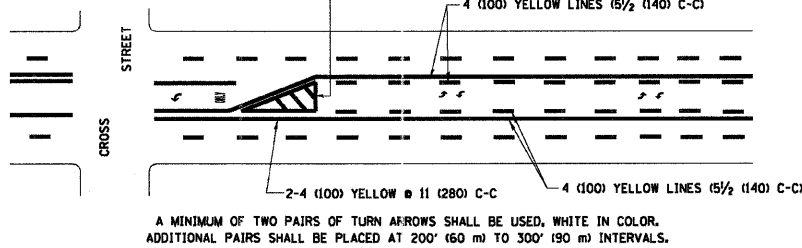
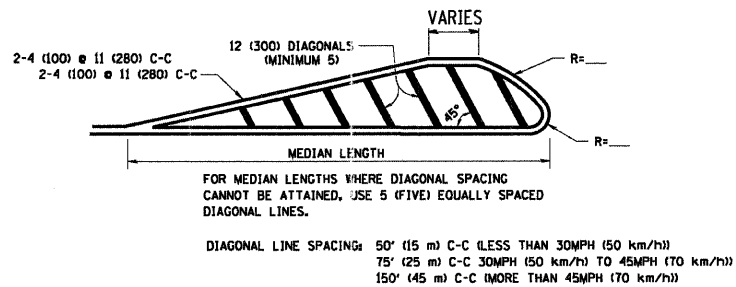
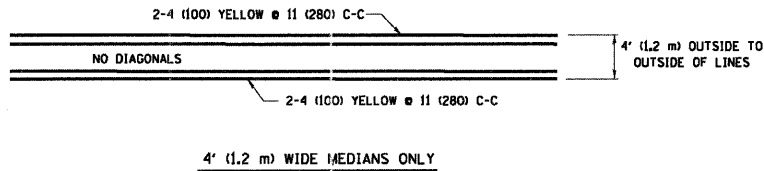


NOTE: MEDIANS WITH BARRIER CURB DO NOT REQUIRE AN EDGE LINE

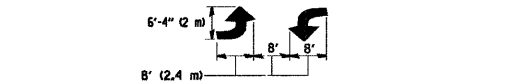
TYPICAL LANE AND EDGE LINE MARKING



TYPICAL CROSSWALK MARKING

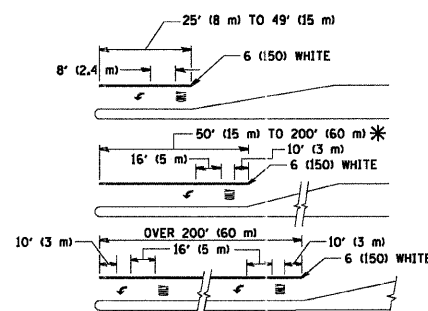


TYPICAL PAINTED MEDIAN MARKING



MEDIAN WITH TWO-WAY LEFT TURN LANE

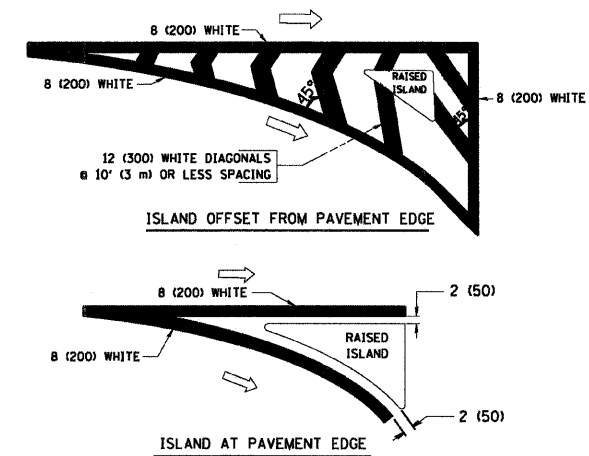
TYPICAL PAINTED MEDIAN MARKING



FULL SIZE LETTERS 8' (2.4 m) AND ARROWS SHALL BE USED.
 AREA = 15.6 SQ. FT. (1.5 m²) AREA = 20.8 SQ. FT. (1.9 m²)
 * TURN LANES IN EXCESS OF 400' (120 m) IN LENGTH MAY HAVE AN ADDITIONAL SET OF ARROW - "ONLY" INSTALLED MIDWAY BETWEEN THE OTHER TWO SETS OF ARROW - "ONLY".

TYPICAL LEFT (OR RIGHT) TURN LANE

TYPICAL TURN LANE MARKING

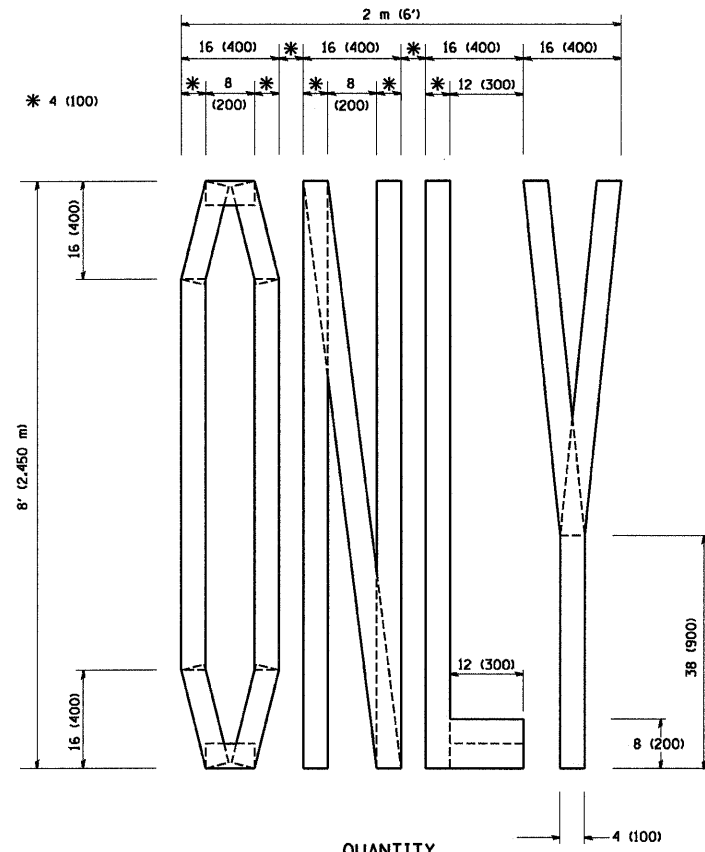


TYPICAL ISLAND MARKING

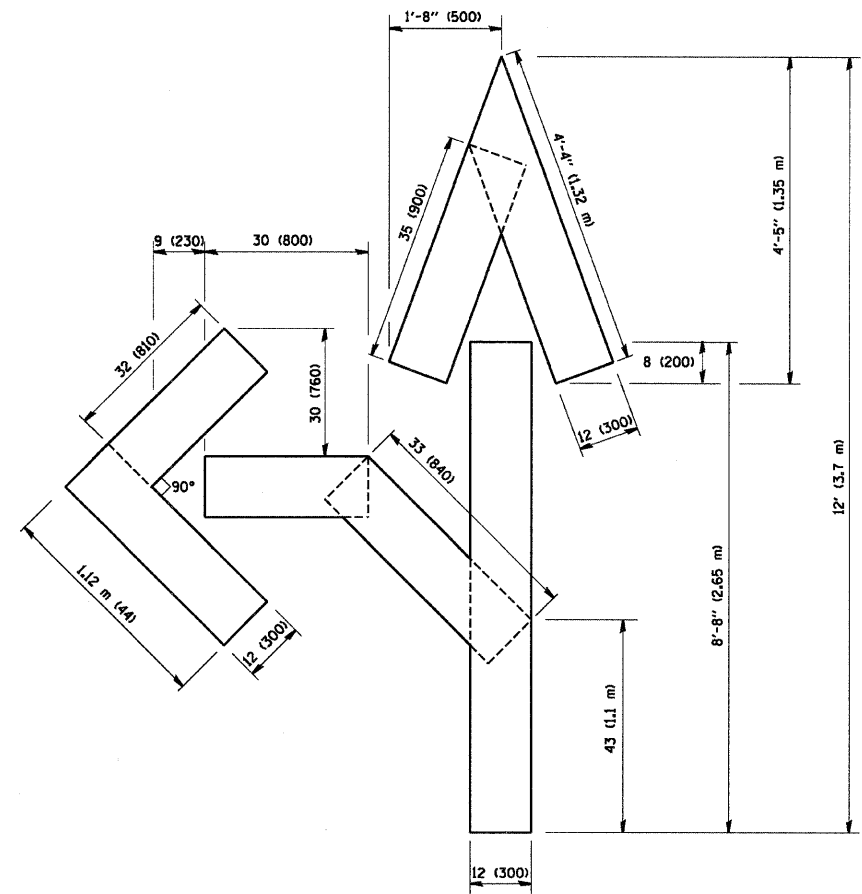
TYPE OF MARKING	WIDTH OF LINE	PATTERN	COLOR	SPACING / REMARKS
CENTERLINE ON 2 LANE PAVEMENT	4 (100)	SKIP-DASH	YELLOW	10' (3 m) LINE WITH 30' (9 m) SPACE
CENTERLINE ON MULTI-LANE UNDIVIDED PAVEMENT	2 @ 4 (100)	SOLID	YELLOW	11 (280) C-C
NO PASSING ZONE LINES FOR ONE DIRECTION FOR BOTH DIRECTIONS	4 (100) 2 @ 4 (100)	SOLID SOLID	YELLOW YELLOW	5/2 (140) C-C FROM SKIP-DASH CENTERLINE 11 (280) C-C OMIT SKIP-DASH CENTERLINE BETWEEN
LANE LINES	4 (100) 5 (125) ON FREEWAYS	SKIP-DASH SKIP-DASH	WHITE WHITE	10' (3 m) LINE WITH 30' (9 m) SPACE
DOTTED LINES (EXTENSIONS OF CENTER, LANE OR TURN LANE MARKINGS)	SAME AS LINE BEING EXTENDED	SKIP-DASH	SAME AS LINE BEING EXTENDED	2' (600) LINE WITH 6' (1.8 m) SPACE
EDGE LINES	4 (100)	SOLID	YELLOW-LEFT WHITE-RIGHT	OUTLINE MOUNTABLE MEDIANS IN YELLOW; EDGE LINES ARE NOT USED NEXT TO BARRIER CURB
TURN LANE MARKINGS	6 (150) LINE; FULL SIZE LETTERS & SYMBOLS (8' (2.4m))	SOLID	WHITE	SEE TYPICAL TURN LANE MARKING DETAIL
TWO WAY LEFT TURN MARKING	2 @ 4 (100) EACH DIRECTION 8' (2.4m) LEFT ARROW	SKIP-DASH AND SOLID IN PAIRS	YELLOW WHITE	10' (3 m) LINE WITH 30' (9 m) SPACE FOR SKIP-DASH; 5/2 (140) C-C BETWEEN SOLID LINE AND SKIP-DASH LINE SEE TYPICAL TWO-WAY LEFT TURN MARKING DETAIL
CROSSWALK LINES (PEDESTRIAN) A. DIAGONALS (BIKE & EQUESTRIAN) B. LONGITUDINAL BARS (SCHOOL)	2 @ 6 (150) 12 (300) @ 45° 12 (300) @ 90°	SOLID SOLID SOLID	WHITE WHITE WHITE	NOT LESS THAN 6' (1.8 m) APART 2' (600) APART 2' (600) APART SEE TYPICAL CROSSWALK MARKING DETAILS.
STOP LINES	24 (600)	SOLID	WHITE	PLACE 4' (1.2 m) IN ADVANCE OF AND PARALLEL TO CROSSWALK, IF PRESENT. OTHERWISE, PLACE AT DESIRED STOPPING POINT, PARALLEL TO CROSSROAD CENTERLINE, WHERE POSSIBLE
PAINTED MEDIANS	2 @ 4 (100) WITH 12 (300) DIAGONALS @ 45° NO DIAGONALS USED FOR 4' (1.2 m) WIDE MEDIANS	SOLID	YELLOW; TWO WAY TRAFFIC WHITE; ONE WAY TRAFFIC	11 (280) C-C FOR THE DOUBLE LINE SEE TYPICAL PAINTED MEDIAN MARKING.
GORE MARKING AND CHANNELIZING LINES	8 (200) WITH 12 (300) DIAGONALS @ 45°	SOLID	WHITE	DIAGONALS: 15' (4.5 m) C-C (LESS THAN 30MPH (50 km/h)) 20' (6 m) C-C (30MPH (50 km/h) TO 45MPH (70 km/h)) 30' (9 m) C-C (OVER 45MPH (70 km/h))
RAILROAD CROSSING	24 (600) TRANSVERSE LINES; "RR" IS 6' (1.8 m) LETTERS; 16 (400) LINE FOR "X"	SOLID	WHITE	SEE STATE STANDARD 780001 AREA OF: "R"=3.6 SQ. FT. (0.33 m ²) EACH "X"=54.0 SQ. FT. (5.0 m ²)
SHOULDER DIAGONALS	12 (300) @ 45°	SOLID	WHITE - RIGHT YELLOW - LEFT	50' (15 m) C-C (LESS THAN 30MPH (50 km/h)) 75' (25 m) C-C (30 MPH (50 km/h) TO 45MPH (70 km/h)) 150' (45 m) C-C (OVER 45MPH (70 km/h))

FOR FURTHER DETAILS ON PAVEMENT MARKING REFER TO STANDARD SPECIFICATIONS FOR ROAD AND BRIDGE CONSTRUCTION AND STATE STANDARD 780001.

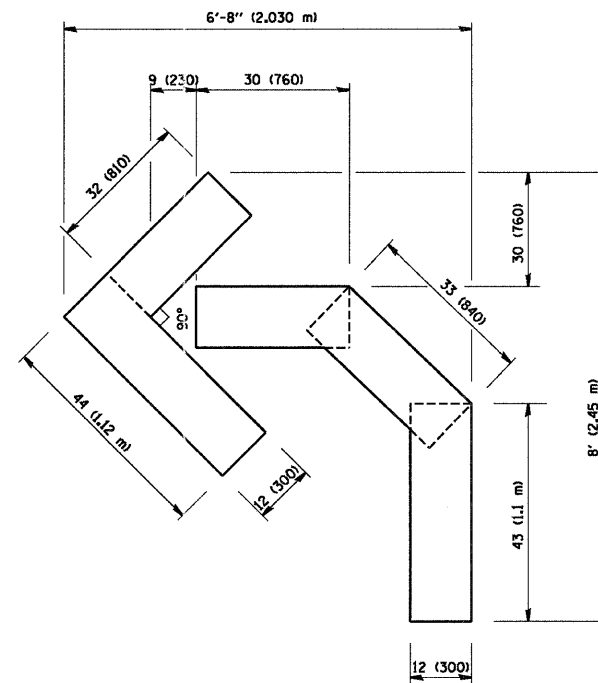
All dimensions are in inches (millimeters) unless otherwise shown.



QUANTITY
 4 (100) LINE = 64.1 ft. (19.7 m)
 21.1 sq. ft. (1.97 sq. m)



QUANTITY
 4 (100) LINE = 82.5 ft. (25.3 m)
 27.5 sq. ft. (2.53 sq. m)



QUANTITY
 4 (100) LINE = 45.5 ft. (13.9 m)
 15.2 sq. ft. (1.39 sq. m)

All dimensions are in inches (millimeters) unless otherwise shown.

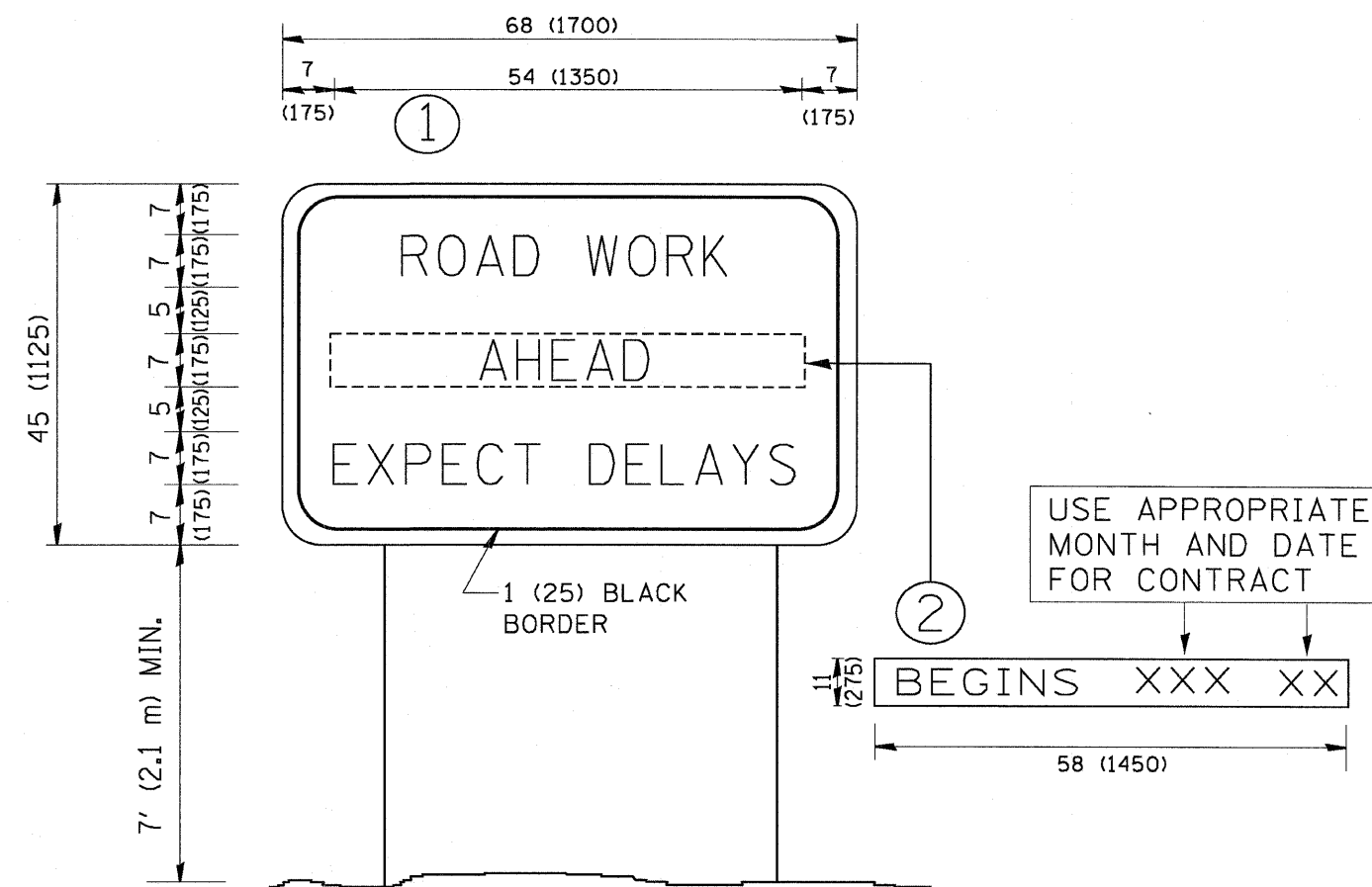
FILE NAME = W:\diststd\22x34\tbl6.dgn	USER NAME = gaglianob	DESIGNED - DRAWN -	REVISED - REVISED -
	PLOT SCALE = 50,0000 "/ IN.	CHECKED -	REVISED -
	PLOT DATE = 1/4/2008	DATE - 09-18-94	REVISED - E. GOMEZ 08-28-00

STATE OF ILLINOIS
 DEPARTMENT OF TRANSPORTATION

PAVEMENT MARKING LETTERS AND SYMBOLS
 FOR TRAFFIC STAGING

SCALE: NONE SHEET NO. 1 OF 1 SHEETS STA. TO STA.

F.A.P. RTE.	SECTION	COUNTY	TOTAL SHEETS	SHEET NO.
303	(132, 133 & 134) RS-5	MCHENRY	36	34
TC-16		CONTRACT NO.	62496	
FED. ROAD DIST. NO. 1 ILLINOIS FED. AID PROJECT				



NOTES:

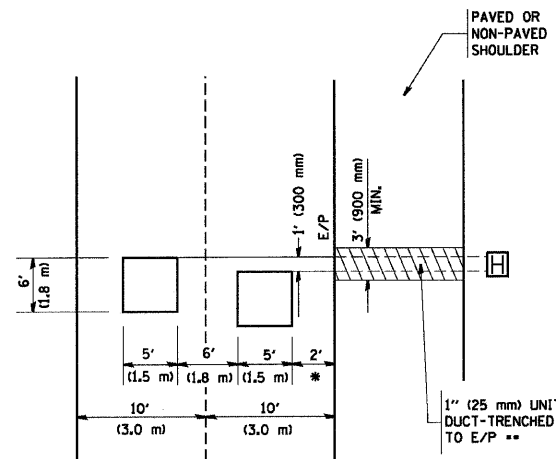
1. USE BLACK LETTERING ON ORANGE BACKGROUND.
2. ERECT SIGNS IN ADVANCE OF THE LOCATION FOR THE "ROAD CONSTRUCTION AHEAD" SIGN AT LOCATIONS AS DIRECTED BY THE ENGINEER.
3. ERECT SIGN ① WITH INSTALLED PANEL ② ONE WEEK PRIOR TO THE START OF CONSTRUCTION.
4. REMOVE PANEL ② SOON AFTER THE START OF CONSTRUCTION.
5. SEE SPECIAL PROVISION FOR "TEMPORARY INFORMATION SIGNING" FOR ADDITIONAL INFORMATION.
6. ONE SIGN ASSEMBLY EQUALS 25.70 SQ. FT. (2.3 SQ. M.)
7. SHALL BE PAID FOR AS TEMPORARY INFORMATION SIGNING.

ALL DIMENSIONS ARE IN INCHES (MILLIMETERS) UNLESS OTHERWISE SHOWN.

FILE NAME = W:\diststd\22x34\to22.dgn	USER NAME = geglienobt	DESIGNED -	REVISED - R. MIRS 09-15-97	STATE OF ILLINOIS DEPARTMENT OF TRANSPORTATION	ARTERIAL ROAD INFORMATION SIGN	F.A.P. RTE.	SECTION	COUNTY	TOTAL SHEETS	SHEET NO.
		DRAWN -	REVISED - R. MIRS 12-11-97			303	(132, 133 & 134) RS-5	MCHENRY	36	35
		PLOT SCALE = 58,000' / IN.	REVISED - T. RAMMACHER 02-02-99			TC-22		CONTRACT NO.		62496
		PLOT DATE = 1/4/2008	REVISED - C. JUCIUS 01-31-07			SCALE: NONE	SHEET NO. 1 OF 1 SHEETS	STA.	TO STA.	FED. ROAD DIST. NO. 1 ILLINOIS FED. AID PROJECT

LOOPS NEXT TO SHOULDERS

PROVIDE A PAVEMENT REPLACEMENT
NOTE WHICH SHOULD EQUAL
3' (900 mm) X WIDTH OF
PAVED SHOULDER.

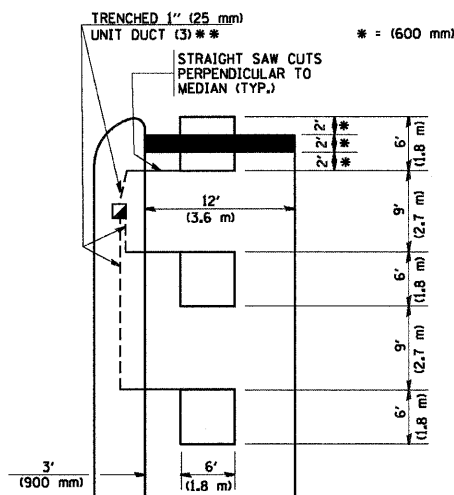


* = (600 mm)

** UNIT DUCT IS TO BE SHOWN ON PLAN SHEETS
BUT SHALL NOT BE INCLUDED IN THE PAY ITEMS.

**LEFT TURN LANES WITH MEDIANS
VOLUME DENSITY ("FAR OUT" DETECTION)
ON SAME APPROACH
(PROTECTED / PERMITTED LEFT TURN PHASING)**

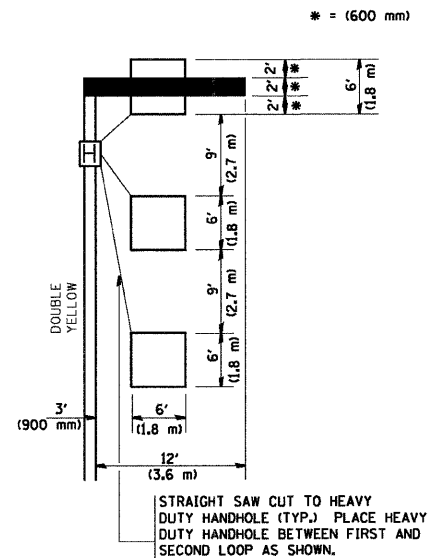
HANDHOLE LOCATION MAY
VARY DEPENDING ON GEOMETRICS
AND DESIGN OF TRAFFIC SIGNALS.
HEAVY-DUTY HANDHOLES TO BE
USED WHEN THE MEDIAN IS
MOUNTABLE. REFER TO STANDARD
814001 TO ENSURE THAT HANDHOLE
FITS IN MEDIAN.



** UNIT DUCT IS TO BE SHOWN ON PLAN SHEETS
BUT SHALL NOT BE INCLUDED IN THE PAY ITEMS.

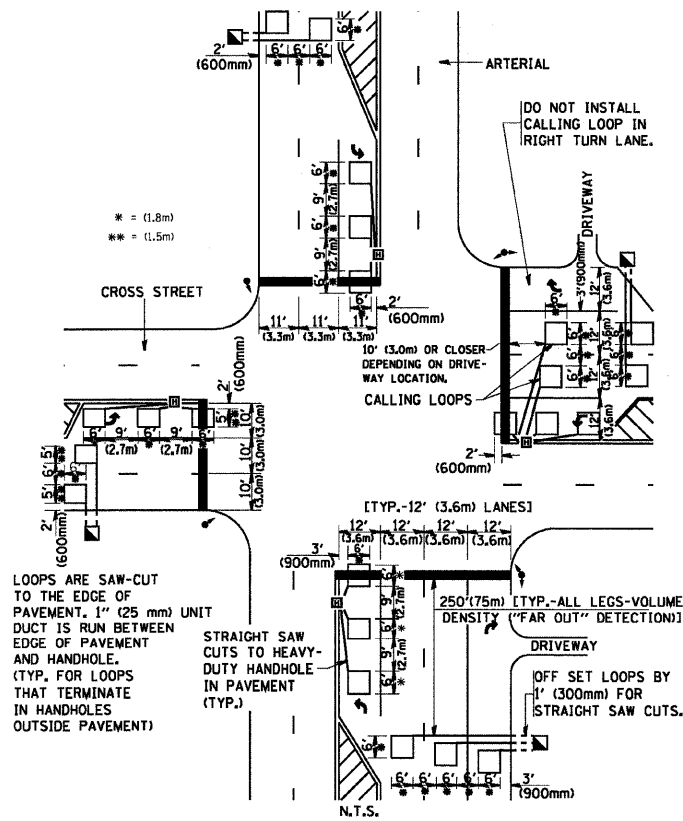
NOTE: DUAL LEFT TURNS NOT SHOWN REFER TO
PLAN SHEET FOR DETECTOR LOOP REPLACEMENT

**LEFT TURN LANES WITHOUT MEDIANS
VOLUME DENSITY ("FAR OUT" DETECTION)
ON SAME APPROACH
(PROTECTED / PERMITTED LEFT TURN PHASING)**



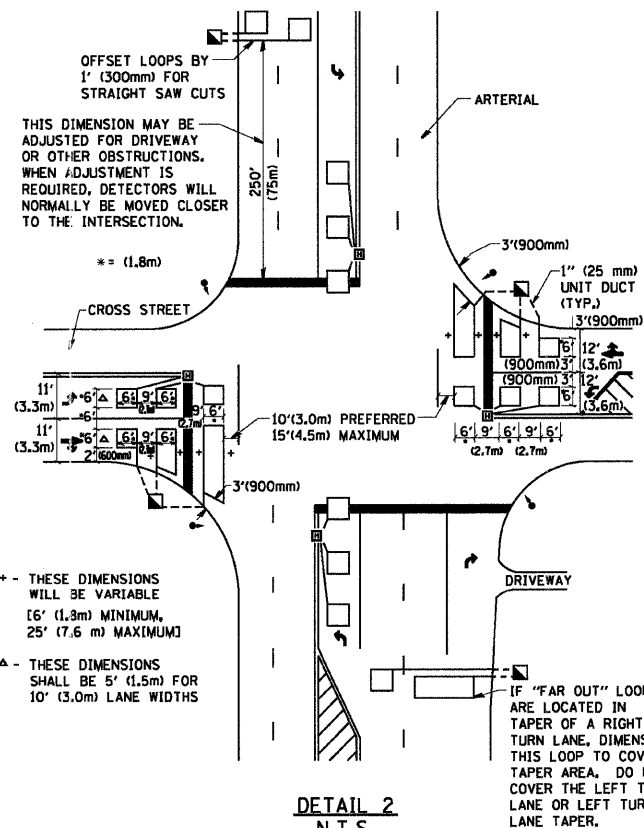
NOTE: DUAL LEFT TURNS NOT SHOWN REFER TO
PLAN SHEET FOR DETECTOR LOOP REPLACEMENT

**ARTERIAL-VOLUME DENSITY ("FAR OUT" DETECTION)
CROSS STREET-VOLUME DENSITY ("FAR OUT" DETECTION)**



DETAIL 1
N.T.S.

**ARTERIAL-VOLUME DENSITY ("FAR OUT" DETECTION)
CROSS STREET-NON VOLUME DENSITY ("UPTIGHT" PRESENCE DETECTION)**



DETAIL 2
N.T.S.

NOTES:

VEHICLES LOOP DETECTORS

- * ALL LEAD IN CABLE SHALL BE TWO CONDUCTOR NO. 14 TWISTED, SHIELDED.
- * EACH DETECTOR LOOP SHALL HAVE ITS OWN SAW CUT FROM THE LOOP TO THE EDGE OF PAVEMENT OR TO A HANDHOLE IN THE PAVEMENT.
- * EACH DETECTOR LOOP SHALL HAVE ITS OWN ONE INCH (25 mm) UNIT DUCT BETWEEN THE EDGE OF PAVEMENT AND THE FIRST HANDHOLE OR JUNCTION BOX. EACH UNIT DUCT RUN SHALL BE SHOWN ON THE PLANS BY THE DESIGNER, BUT SHALL NOT BE PAID FOR SEPARATELY. THIS ITEM IS INCIDENTAL TO THE PAY ITEM FOR DETECTOR LOOPS.
- * ONE DIMENSION OF ALL DETECTOR LOOPS SHALL BE SIX FEET (1.8 m)
- * EACH LANE OF NON-LOCKING, PRESENCE DETECTION AND EACH LANE OF A DOUBLE LEFT TURN LANE REQUIRES A SEPARATE INDUCTIVE LOOP DETECTOR AND LEAD IN CABLE.
- * WHEN NON-LOCKING, PRESENCE DETECTION IS USED, MORE THAN ONE LOOP PER LANE IS REQUIRED BEHIND THE STOP BAR (i.e. 1-1/2, 1-3/4, 2).
- * WHEN SYSTEM LOOPS ARE REQUIRED ON AN APPROACH OF AN INTERSECTION, THE LOOPS USED FOR VOLUME DENSITY AND INTERSECTION TIMING SHALL ALSO BE USED AS SYSTEM DETECTORS. EACH ONE OF THESE TYPE OF LOOPS REQUIRES A SEPARATE TWO CONDUCTOR NO. 14 TWISTED SHIELDED CABLE AND A SEPARATE INDUCTIVE LOOP DETECTOR WHEN NEW CONTROLLERS ARE UTILIZED. THE DESIGNER SHALL LABEL THESE TYPES OF LOOPS AS "INTERSECTION AND SAMPLING (SYSTEM) DETECTORS" ON THE SIGNAL LAYOUT, THE INTERCONNECT PLAN AND THE SYSTEM CABLE PLAN. WHEN AN EXISTING CONTROLLER IS UTILIZED FOR THIS TYPE OF DETECTION, THE PAY ITEM "INDUCTIVE LOOP DETECTOR WITH SYSTEM OUTPUT" SHOULD BE USED.

PLACEMENT OF DETECTORS

THE FOLLOWING FIGURES REPRESENT THE MOST COMMON DETECTOR LOOP LOCATIONS AND SIZES. ADJUSTMENTS WILL BE NECESSARY FOR SPECIFIC GEOMETRIC CONSIDERATIONS.

LOCATIONS AND DIMENSIONS OF DETECTOR LOOPS ARE REQUIRED ON ALL SIGNAL LAYOUT PLAN SHEETS.

"FAR OUT" DETECTION REFERS TO LOCKING, PRESENCE TYPE DETECTION LOCATED IN THRU LANES, RIGHT TURN LANES, AND RIGHT TURN LANE TAPER AREAS (IF APPLICABLE), USUALLY 250' (75 m) IN ADVANCE OF STOP BARS. "UPTIGHT" DETECTION REFERS TO NON-LOCKING PRESENCE TYPE DETECTION LOCATED IN ALL LANES AND 10'-15' (3.0 m-4.5 m) BEHIND THE CROSSING STREET'S EDGE OF PAVEMENT EXTENDED.

NOTE:

ALL DETAILS AND NOTES SHOWN ARE FROM THE I.D.O.T. DISTRICT 1 TRAFFIC SIGNAL DESIGN GUIDELINES DATED JANUARY 1995

THIS DRAWING HAS BEEN PREPARED TO ASSIST THE RESIDENT ENGINEER FOR ALL ROADWAY RESURFACING OR S.M.A.R.T. PROJECTS WHERE THE DIMENSIONS ARE NOT SHOWN ON THE PLANS AND THE FINAL LOCATIONS FOR CROSSWALKS OR STOP BARS ARE NOT DETERMINED.

FILE NAME = W:\dststd\22x34\ts07.dgn	USER NAME = goglianobt	DESIGNED -	REVISED -	STATE OF ILLINOIS DEPARTMENT OF TRANSPORTATION	DISTRICT 1 - DETECTOR LOOP INSTALLATION DETAILS FOR ROADWAY RESURFACING	F.A.P. RTE.	SECTION	COUNTY	TOTAL SHEETS	SHEET NO.
PLOT SCALE = 50,000 ' / IN.	PLOT DATE = 1/4/2008	DRAWN -	REVISED -			303	(132, 133 & 134) RS-5	MCHENRY	36	36
		CHECKED - R.K.F.	REVISED -			TS-07		CONTRACT NO. 62496		
		DATE -	REVISED -			SCALE: NONE		SHEET NO. 1 OF 1 SHEETS		STA. TO STA.
						FED. ROAD DIST. NO. 1 (ILLINOIS) FED. AID PROJECT				