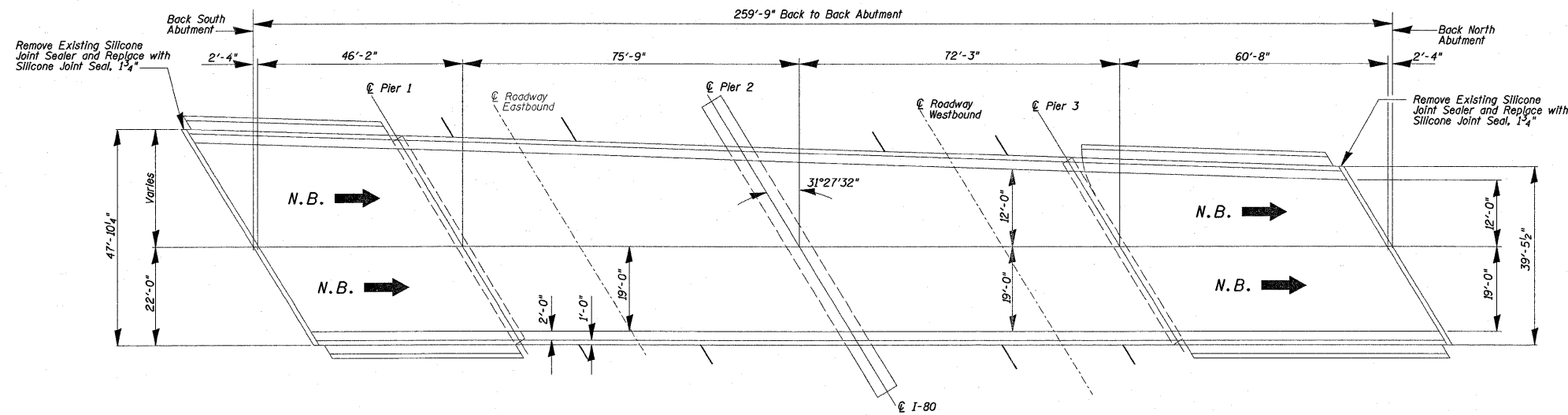


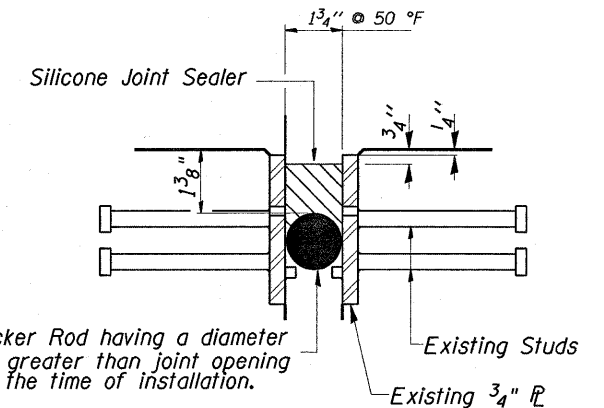
ELEVATION

GENERAL NOTES

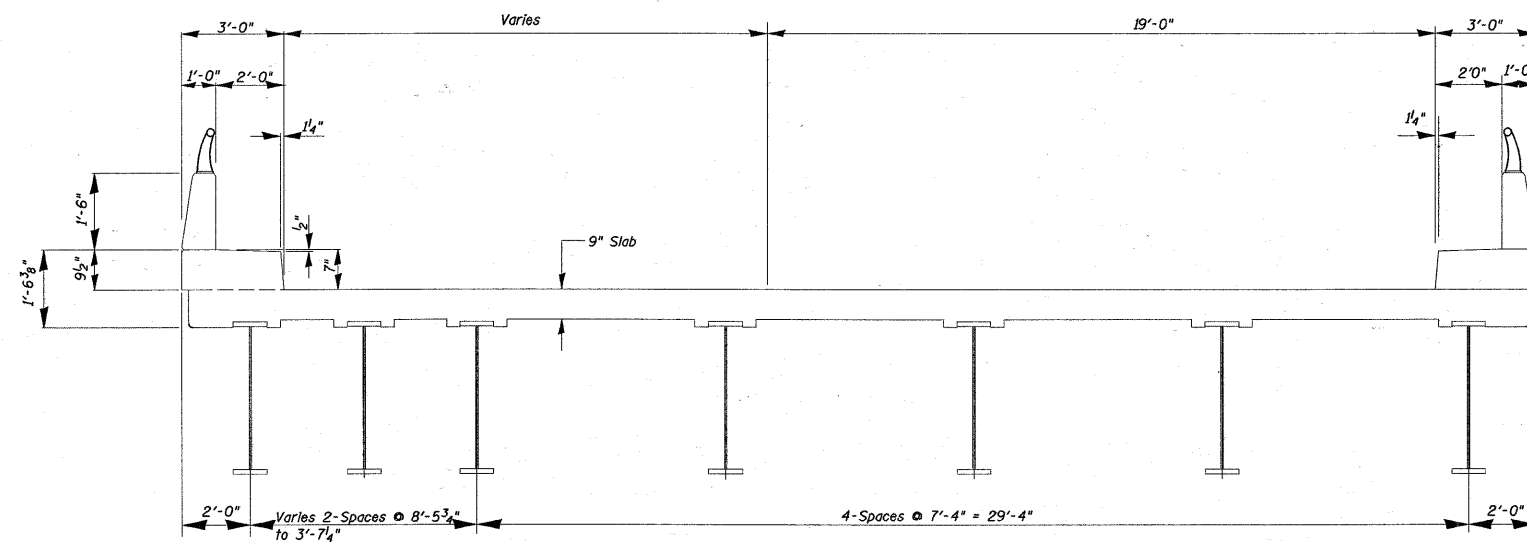
PLAN DIMENSIONS AND DETAILS RELATIVE TO EXISTING PLANS ARE SUBJECT TO ROUTINE VARIATIONS. THE CONTRACTOR SHALL FIELD VERIFY EXISTING DIMENSIONS AND DETAILS AFFECTING NEW CONSTRUCTION AND MAKE NECESSARY APPROVED ADJUSTMENTS PRIOR TO CONSTRUCTION OR ORDERING OF MATERIALS. SUCH VARIATIONS SHALL NOT BE CAUSE FOR ADDITIONAL COMPENSATION FOR A CHANGE IN SCOPE OF WORK, HOWEVER, THE CONTRACTOR WILL BE PAID FOR THE QUANTITY ACTUALLY FURNISHED BASED UPON THE UNIT PRICE BID FOR THE WORK.



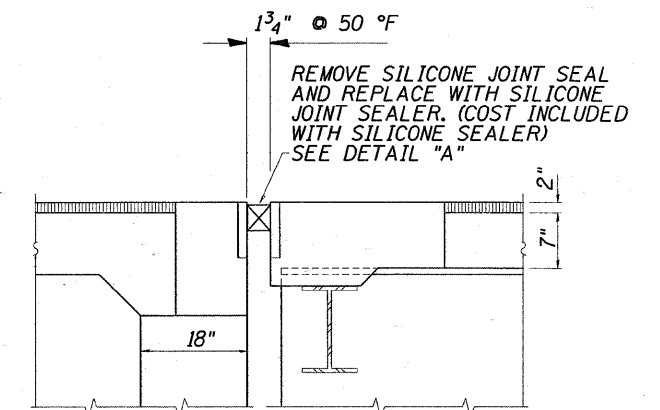
PLAN



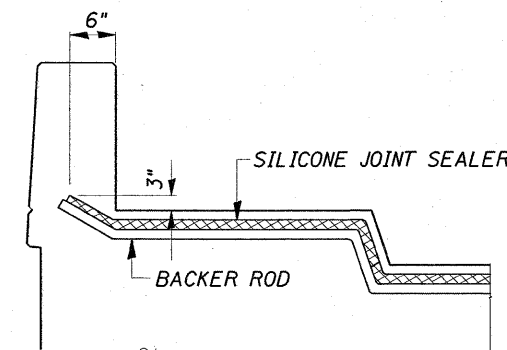
DETAIL "A"



CROSS SECTION



EXISTING TRANSVERSE JOINT NORTH AND SOUTH ABUTMENT



END OF SEAL TREATMENT

TOTAL BILL OF MATERIALS

ITEM	UNIT	QUANTITY
SILICONE JOINT SEALER, 1 3/4"	FOOT	102