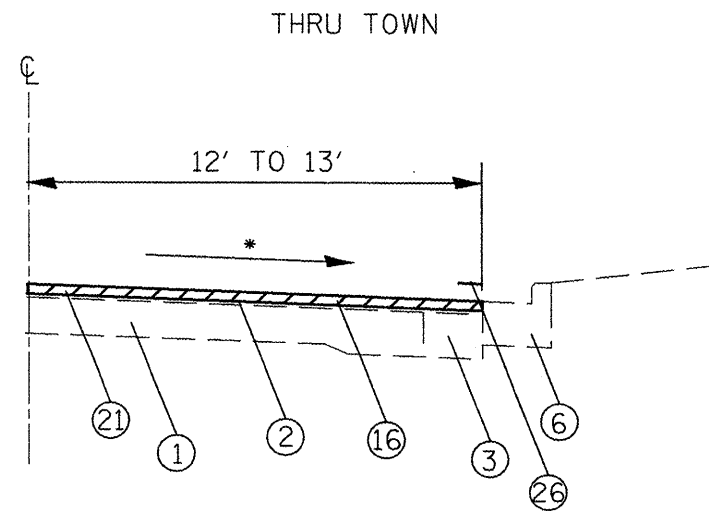


LT. STA. 267+81 (MARKET ST.) TO 270+00 (FULTON ST.)
 RT. STA. 267+81 (MARKET ST.) TO 272+11 (ORCHARD ST.)

*MATCH EXISTING CROSS SLOPES



RT. STA. 261+49 (BERNADOTTE ST.) TO 267+81 (MARKET ST.)
 RT. STA. 272+11 (ORCHARD ST.) TO 282+31 (R.R. CROSSING)
 LT. STA. 276+55 (ST. JAMES ST.) TO 282+31 (R.R. CROSSING)

LEVELING BINDER BEGINS & HMA SURF.
 REMOVAL 1 1/2" ENDS AT STA. 282+31

*MATCH EXISTING CROSS SLOPES

LEGEND

EXISTING

1. P.C.C. 9-6-9 PAVEMENT
2. 4 1/2 " +/- BIT. OVERLAYS
3. BIT. BASE COURSE WIDENING
4. AGGREGATE SHOULDER
5. BITUMINOUS SHOULDERS
6. TYPE A GUTTER OR COMB. CONCRETE CURB & GUTTER
7. BITUMINOUS PARKING LANE

PROPOSED

15. HMA SURFACE REMOVAL, 1/2 "
16. HMA SURFACE REMOVAL, 1 1/2"
17. HMA SURFACE REMOVAL, VAR. DEPTH
18. HMA SURFACE REMOVAL, 4"
19. BIT. CONC. SHOULDER REMOVAL
20. 3/4" POLY LEVELING BINDER (MACHINE METHOD), IL-4.75, N50
21. 1 1/2" HMA SURFACE COURSE MIX "D" N50
22. 2 1/4" HMA SURFACE COURSE MIX "C" N30
23. HMA SHOULDERS 8"
24. HMA SHOULDERS 5 3/4"
25. AGGREGATE SHOULDERS, TYPE B
26. EPOXY PAVEMENT MARKING

NOT DRAWN TO SCALE

FILE NAME = propplanshts.dgn	USER NAME = russellm	DESIGNED -	REVISED -	STATE OF ILLINOIS DEPARTMENT OF TRANSPORTATION	TYPICAL SECTIONS			F.A.P. RTE.	SECTION	COUNTY	TOTAL SHEETS	SHEET NO.
	PLOT SCALE = 100.0000' / IN.	DRAWN -	REVISED -					315	109RS-4,110RS-2	FULTON		21
	PLOT DATE = 3/26/2009	CHECKED -	REVISED -					CONTRACT NO. 68330				
	DATE -	REVISED -		SCALE:	SHEET NO.	OF	SHEETS	STA.	TO	STA.	ILLINOIS FED. AID PROJECT	