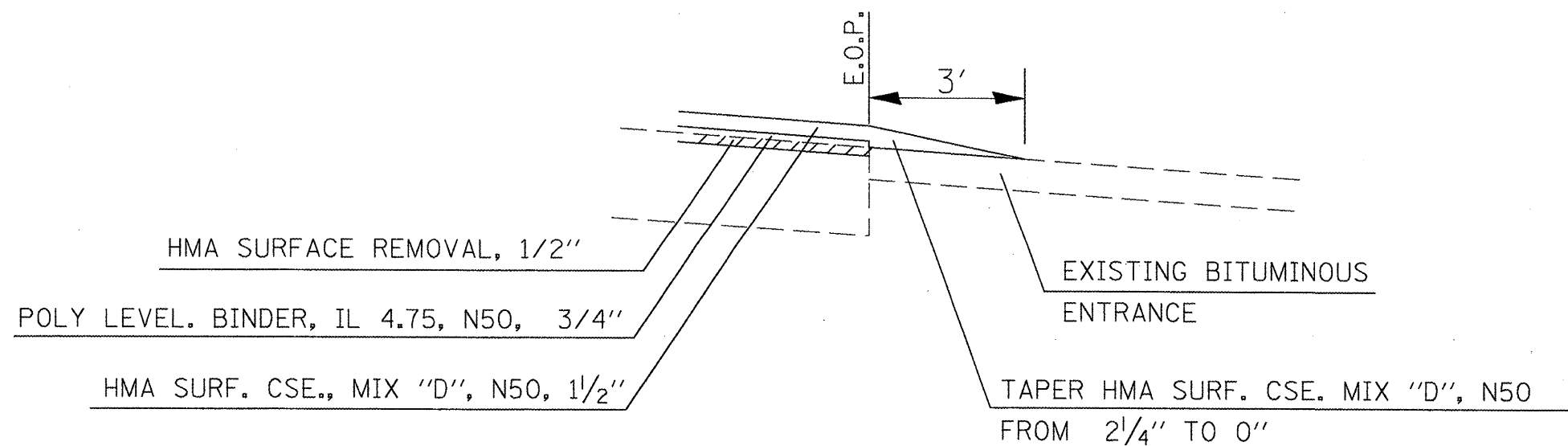


RURAL SIDEROAD TREATMENT



RURAL ENTRANCE TREATMENT

FILE NAME = propplenshts.dgn	USER NAME = ghadineam	DESIGNED -	REVISED -	<b>STATE OF ILLINOIS DEPARTMENT OF TRANSPORTATION</b>	<b>RURAL SIDEROAD &amp; ENTRANCE DETAILS</b>			F.A.P. RTE.	SECTION	COUNTY	TOTAL SHEETS	SHEET NO.
	PLOT SCALE = 100.0000' / IN.	DRAWN -	REVISED -					315	109RS-4, 110RS-2	FULTON	42	42A
	PLOT DATE = 4/8/2009	CHECKED -	REVISED -					CONTRACT NO. 68330				
	DATE -	REVISED -		SCALE:	SHEET NO.	OF SHEETS	STA.	TO STA.	ILLINOIS FED. AID PROJECT			