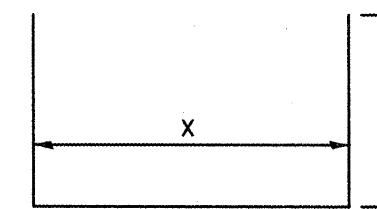
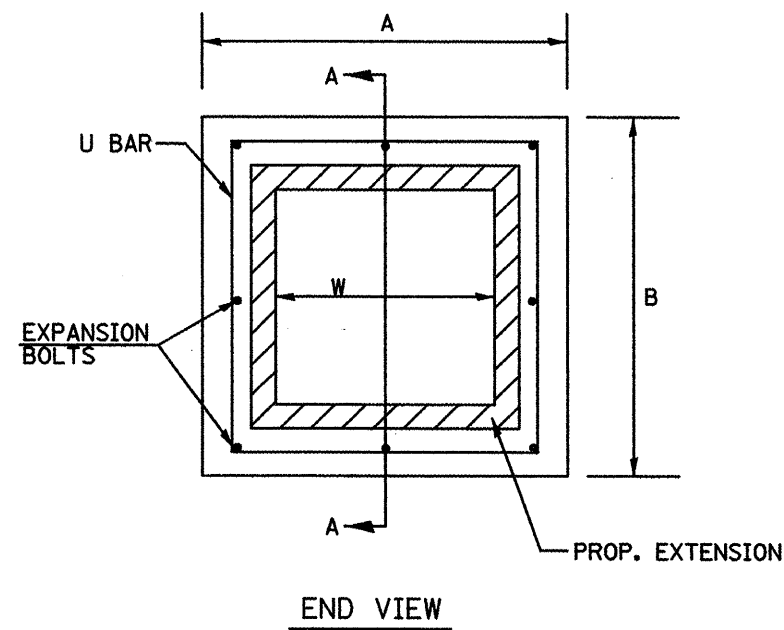
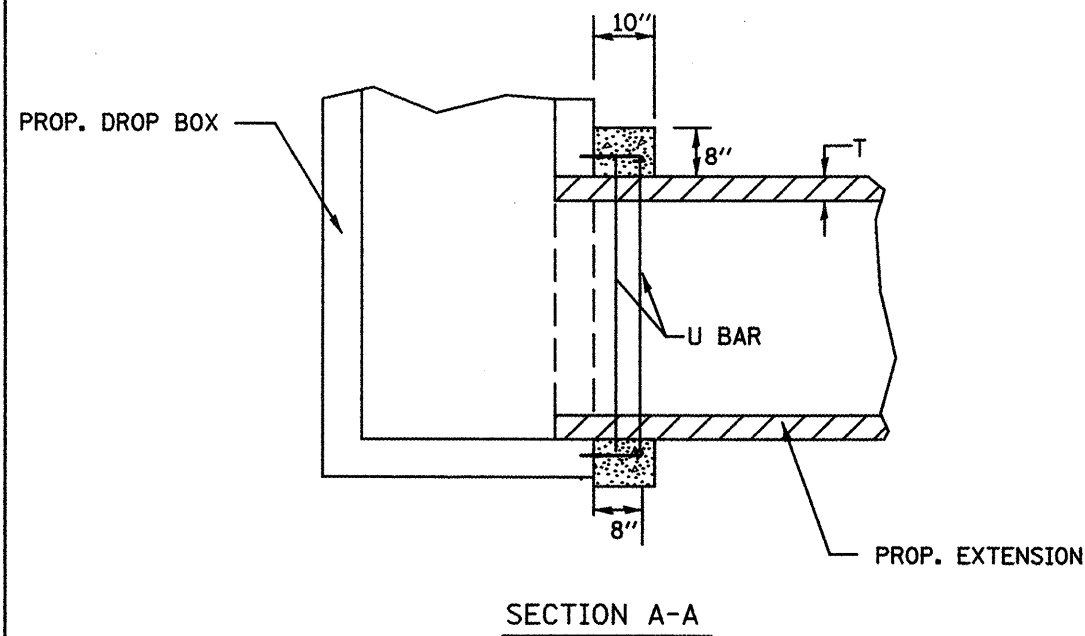


#4 U BAR
8 BARS REQUIRED
PER COLLAR
*1 FT. MIN. LAP ON U BARS

METHOD 1



#4 U BAR
4 BARS REQUIRED
PER COLLAR
*1 FT. MIN. LAP ON U BARS

METHOD 2

DRAWING NOT TO SCALE

FILE NAME = propplanshts.dgn	USER NAME = ghdineam	DESIGNED -	REVISED -
		DRAWN -	REVISED -
		CHECKED -	REVISED -
		DATE -	REVISED -

STATE OF ILLINOIS
DEPARTMENT OF TRANSPORTATION

COLLAR DETAIL FOR BOX CULVERT EXTENSIONS SHEET 1 OF 2			
SCALE:	SHEET NO.	OF SHEETS	STA. TO STA.

F.A.P. RTE. 315	SECTION 109RS-4-110RS-2	COUNTY FULTON	TOTAL SHEETS 47	SHEET NO. 47
FED. ROAD DIST. NO. ILLINOIS FED. AID PROJECT			CONTRACT NO. 68330	