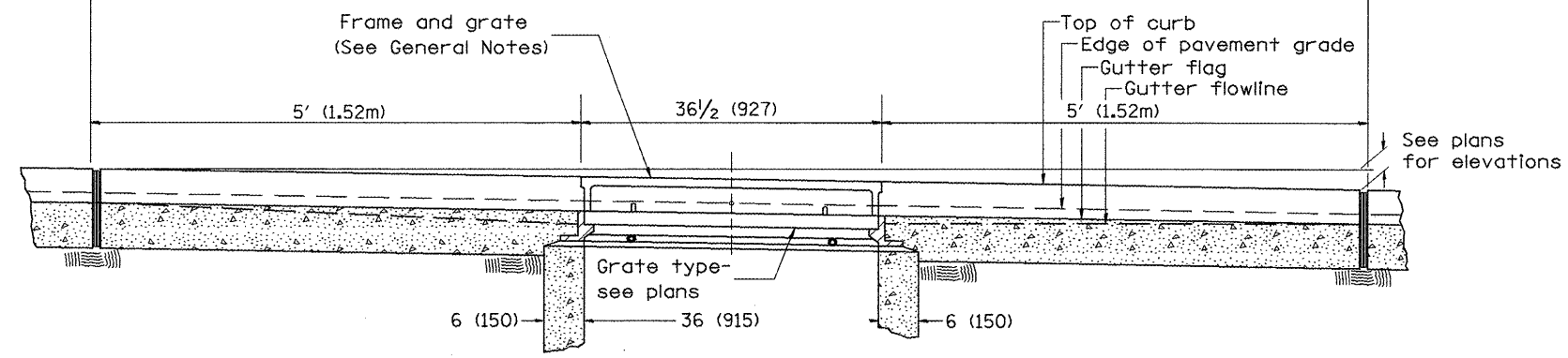
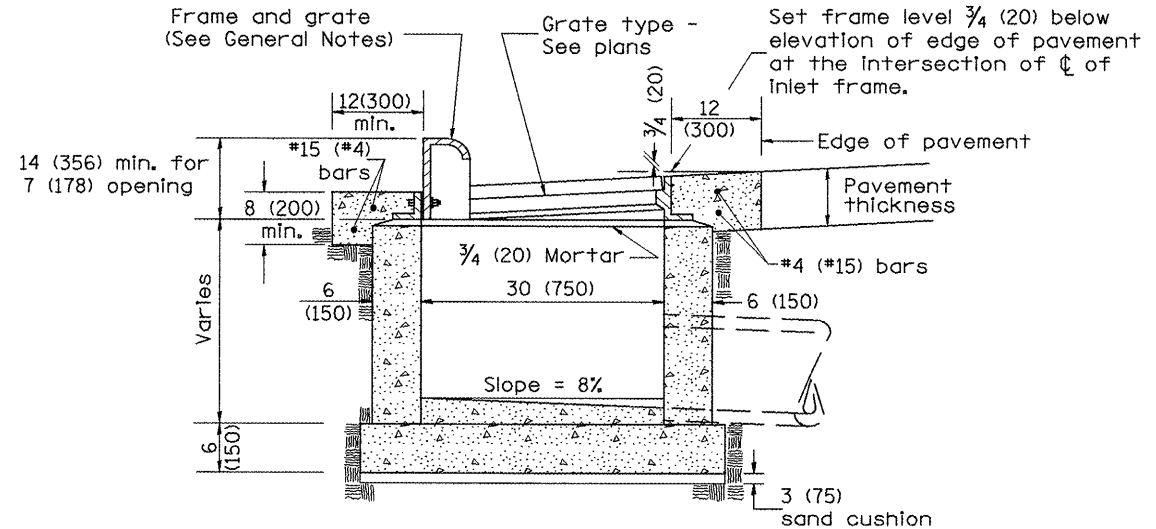


**PLAN**



**ELEVATION (FRONT)**



**ELEVATION (SIDE)**

**GENERAL NOTES**

1. Inlet construction shall be in accordance with Section 602 of the Standard Specifications.
2. Combination Concrete Curb and Gutter shall be constructed in accordance with Section 606 of the Standard Specifications.
3. See District CADD Standard 604001-D4 for frame and grates.

All dimensions are in inches (millimeters) unless otherwise noted.

STATE OF ILLINOIS DEPARTMENT OF TRANSPORTATION		INLETS, TYPE G-1, SPECIAL		F.A.P. SECTION COUNTY TOTAL SHEETS SHEET NO.
				RT- (16.13)RS-3.17RS-5.14RS-1 PEORIA/TAZEWELL 52 50
NOT TO SCALE		CADD STD. 602006-D4		FED. ROAD DIST. NO. ILLINOIS FED. AID PROJECT CONTRACT NO. 68455