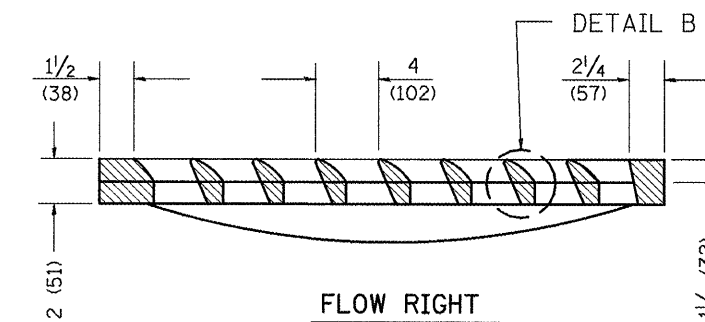
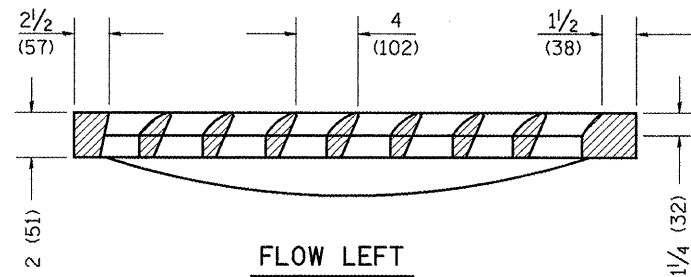
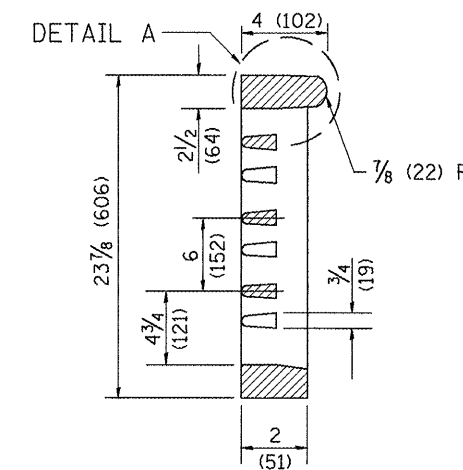
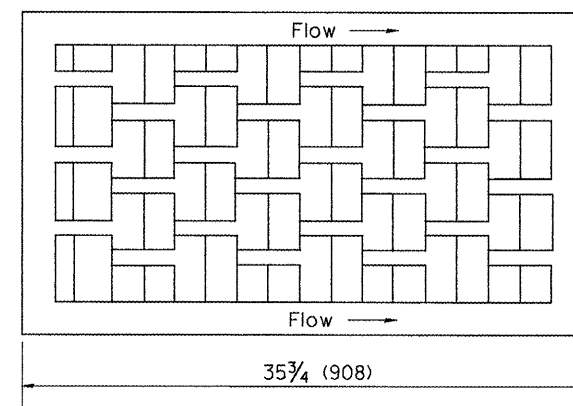
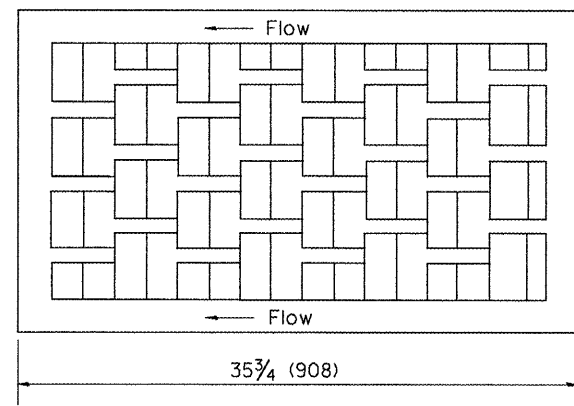
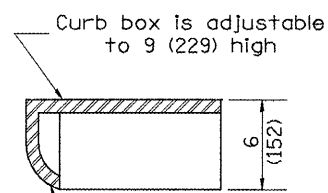
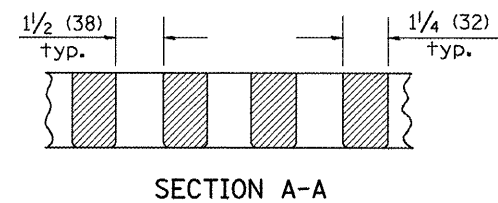
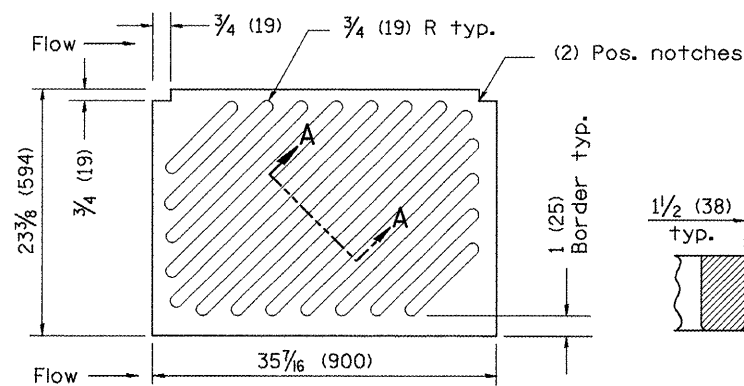
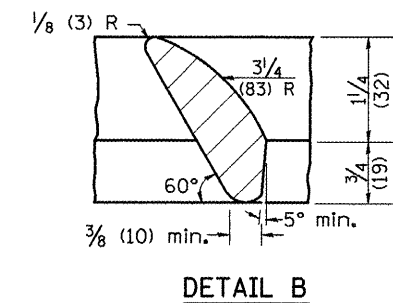
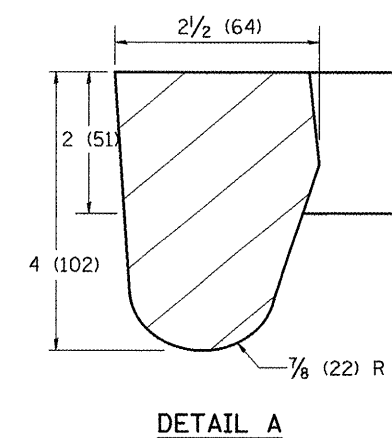


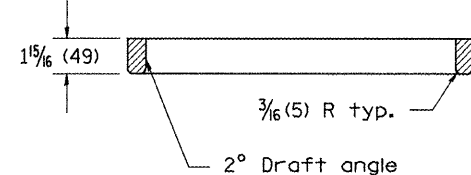
CAST CURB BOX
110 lbs. (50 kg)



CAST VANE GRATES
(SPECIFY LEFT OR RIGHT FLOW)
230 lbs. (104 KG)



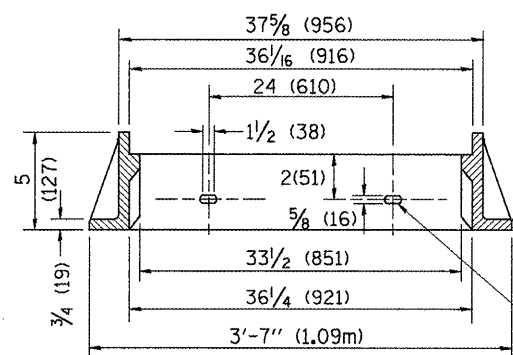
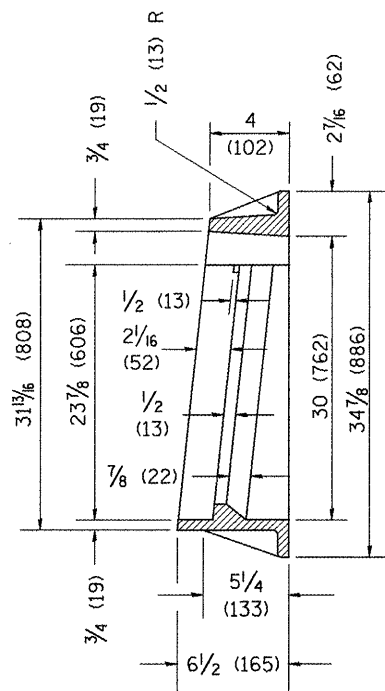
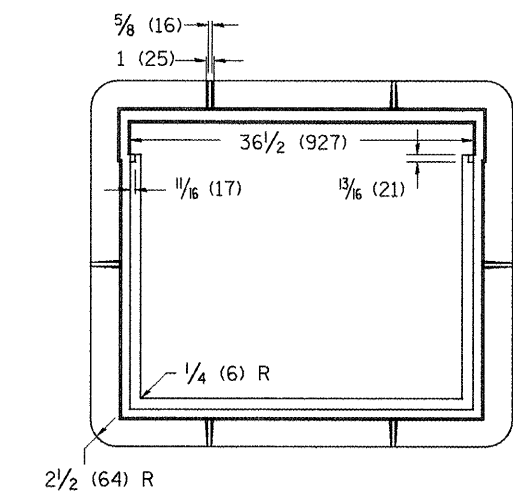
NOTE: Flow right shown



CAST DIAGONAL GRATE
(Reversible for flow)
217 lbs. (98 kg)

GENERAL NOTES

1. The frame and grate shown on this drawing are for use with all TYPE G-1 and TYPE G-1, SPECIAL DRAINAGE STRUCTURES. See plans for grate type and flow direction.
2. Flow direction: As viewed from street side.
3. Material: cast gray iron.



CAST FRAME
271 lbs. (123 kg)

Slot for galvanized 1/2 x 2 1/2 (M12 x 64) bolt, nut and washer

All dimensions are in inches (millimeters) unless otherwise noted.