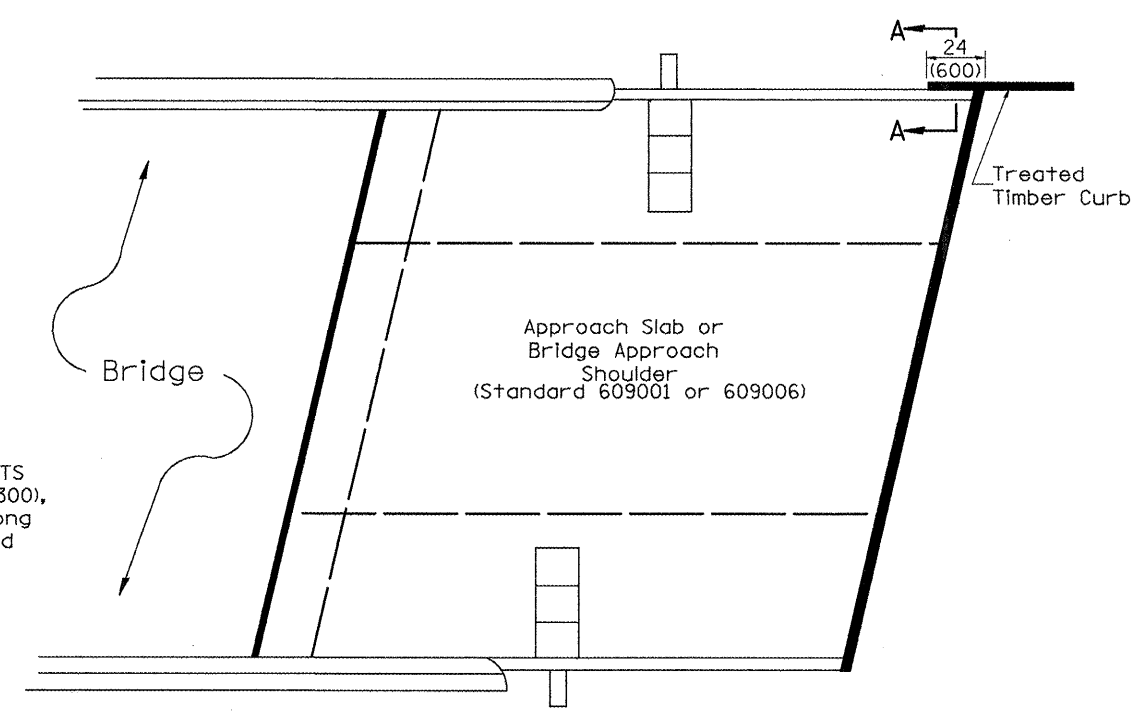
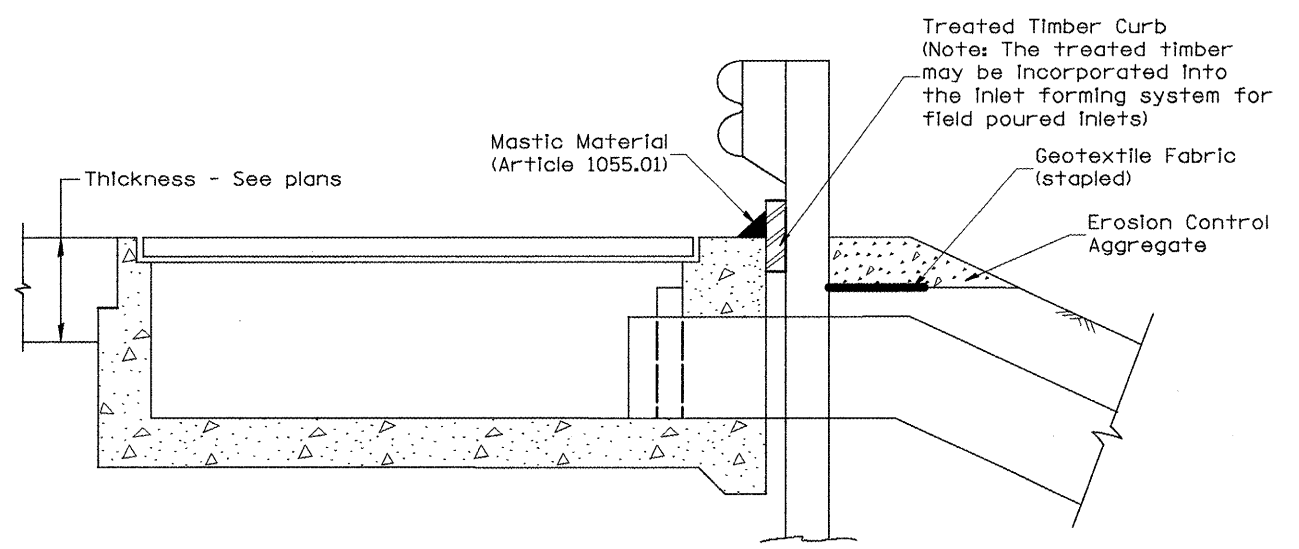


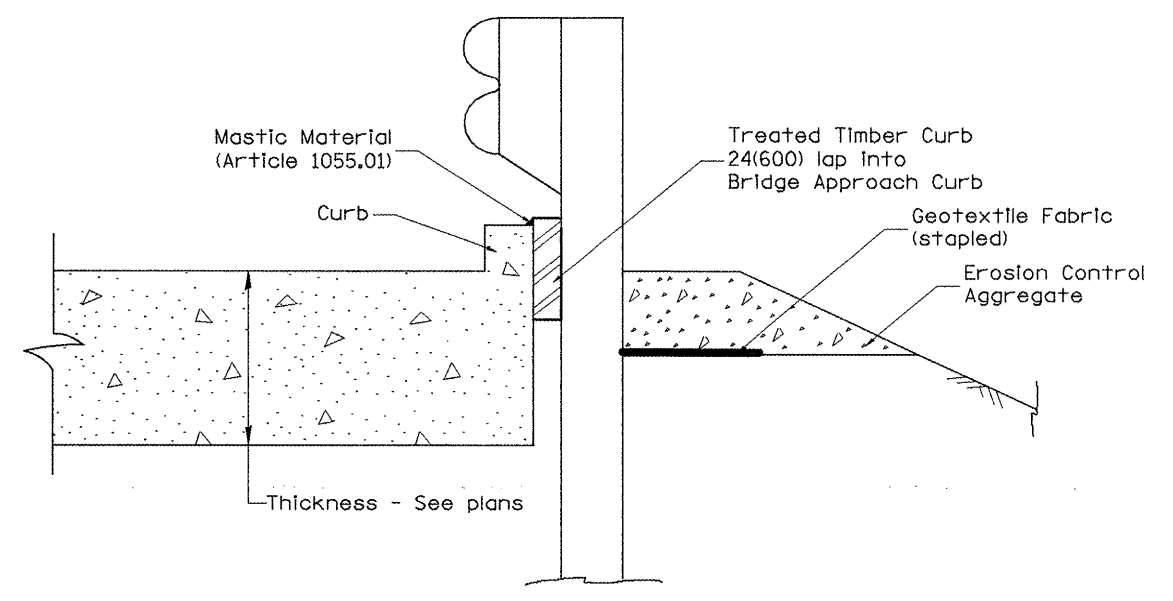
DETAIL A
(Typical Treated Timber Splices)



PLAN VIEW
APPROACH SLAB OR BRIDGE APPROACH SHOULDER
(STANDARD 609001 or 609006)



TYPICAL SECTION WITH EROSION CONTROL CURB
AT INLETS TYPE E & F (STANDARD 610001)



SECTION A-A
TYPICAL SECTION WITH EROSION CONTROL CURB
AT BRIDGE APPROACH CURB
(STANDARD 609001 OR 609006)

All dimensions are in Inches (millimeters) unless otherwise noted.

STATE OF ILLINOIS DEPARTMENT OF TRANSPORTATION				GUARDRAIL EROSION CONTROL TREATMENTS				F.A.P. RTE.		SECTION		COUNTY		TOTAL SHEETS		SHEET NO.	
								317		116 RS-3, 117 RS-4		PEORIA		54		49	
				NOT TO SCALE				SHT. 2 OF 2		CADD STD. 630101-D4		CONTRACT NO. 68684		FED. ROAD DIST. NO. ILLINOIS FED. AID PROJECT			