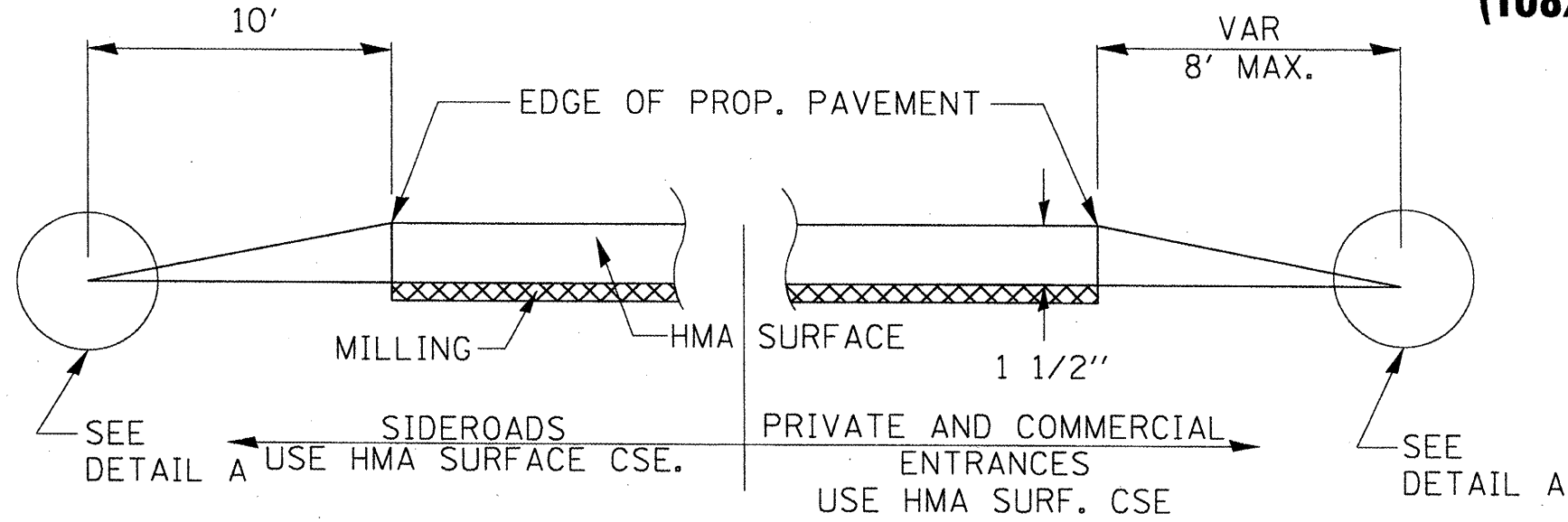
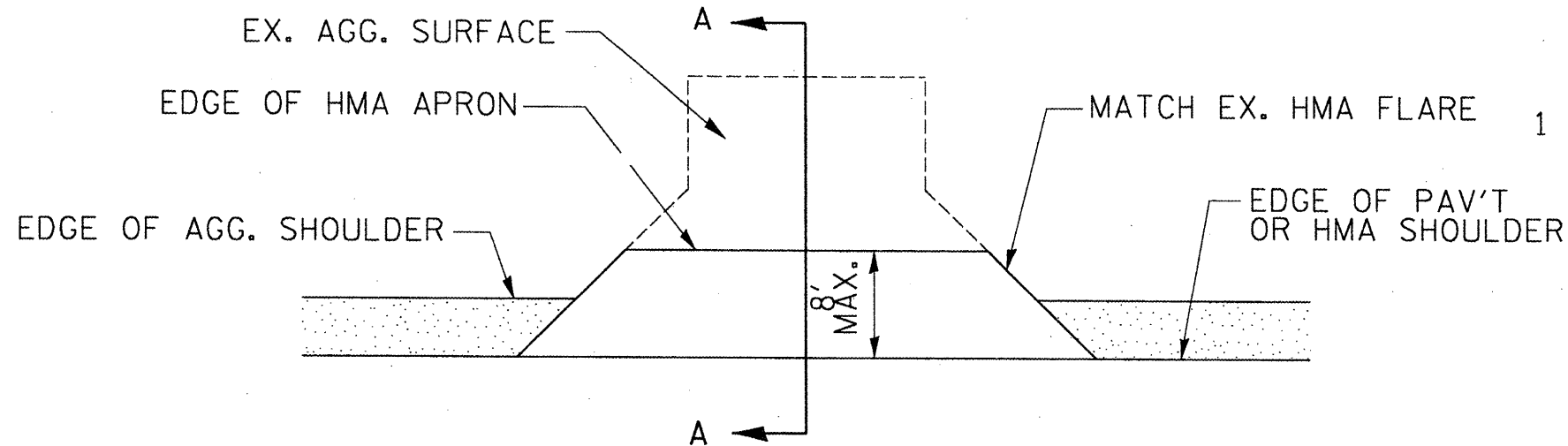


ROUTE		SECTION	COUNTY	SHEET	
F.A.	VAR	*	PEORIA	TOTAL	NO.
MKD.	US 150			100	23

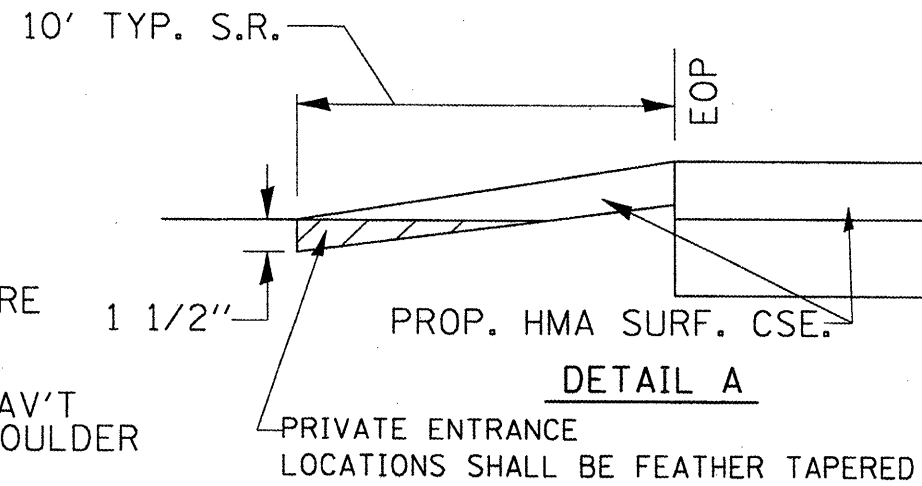
***(108X,130,102)RS-3;129RS-4,101RS-2**



SECTION A-A
DETAILS AT ENTRANCES AND SIDEROADS



PLAN AT PRIVATE & COMMERCIAL ENTRANCES



SIDEROAD AND ENTRANCE
DETAILS