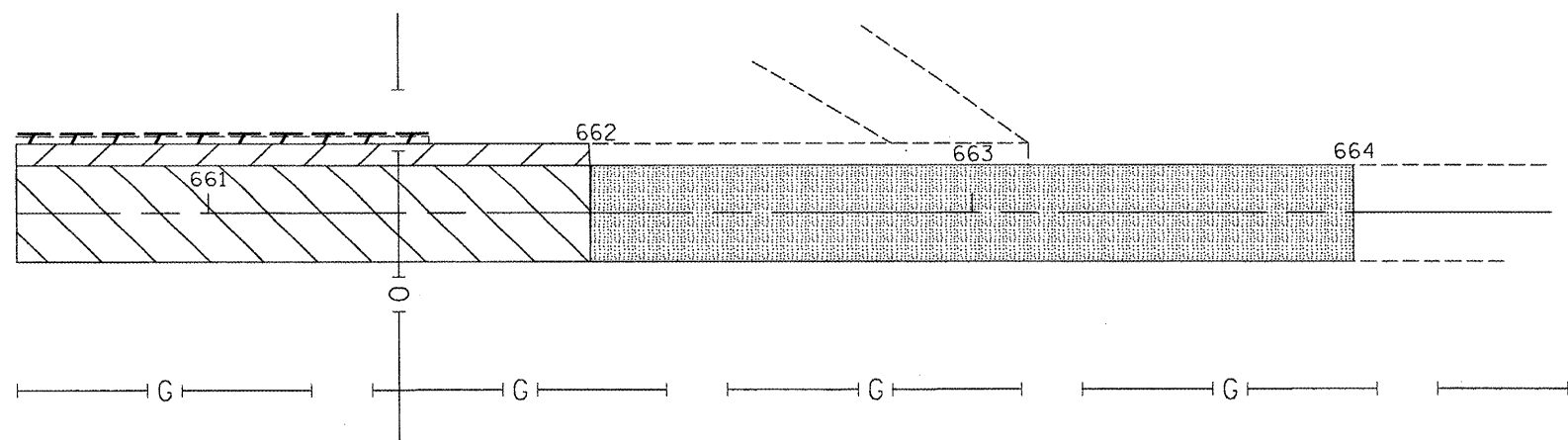
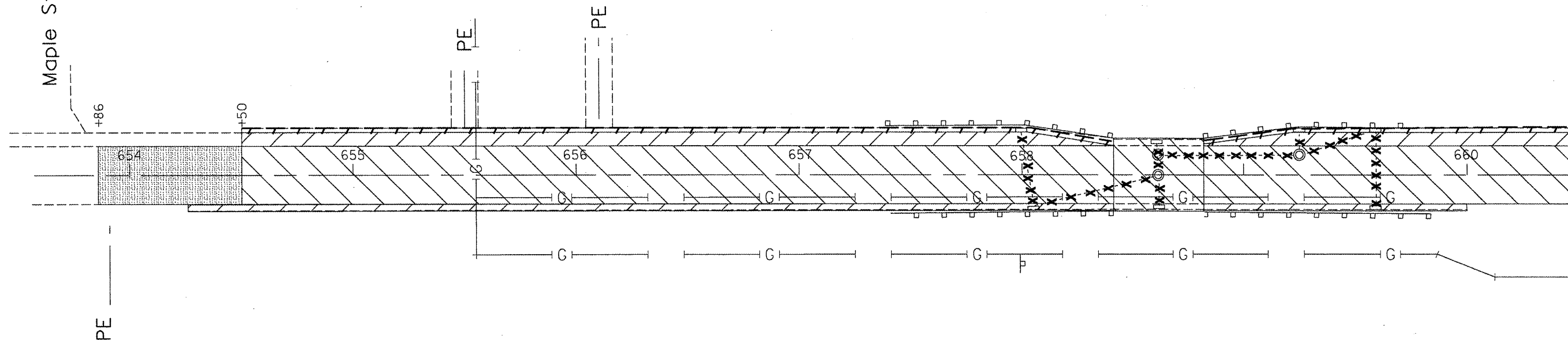


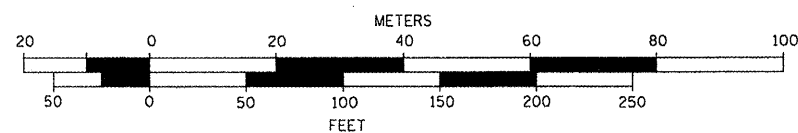


Maple St.



- GUARDRAIL REMOVAL
- STORM SEWER REMOVAL
- HMA SURFACE REMOVAL
- GUTTER REMOVAL
- SHOULDER REMOVAL
- PAVEMENT REMOVAL

GRAPHIC SCALE



FILE NAME =
0468898-Design.dgn

USER NAME = ever scl

PLT SCALE = 50.0000' / IN.
PLT DATE = 4/6/2009

DESIGNED -
DRAWN -
CHECKED -
DATE -

REVISED -
REVISED -
REVISED -
REVISED -

STATE OF ILLINOIS
DEPARTMENT OF TRANSPORTATION

REMOVAL

SCALE: SHEET NO. OF SHEETS STA. TO STA.

F.A.P.
RTE.
22

SECTION
.

COUNTY
PEORIA

TOTAL SHEETS
100

SHEET NO.
39

1108X,130,102IRS-3;129RS-4,101RS-2

CONTRACT NO. 68890

ILLINOIS FED. AID PROJECT