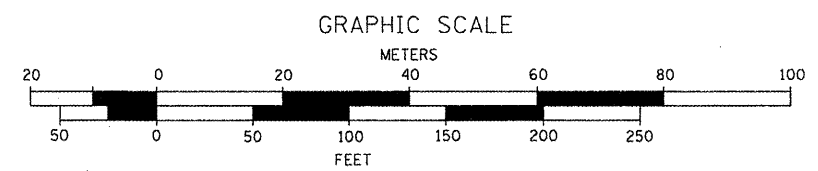
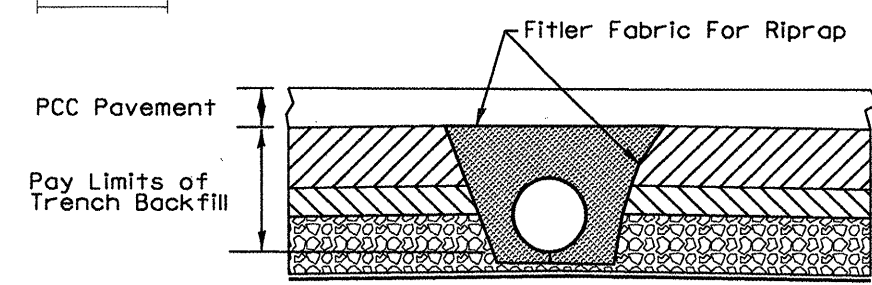
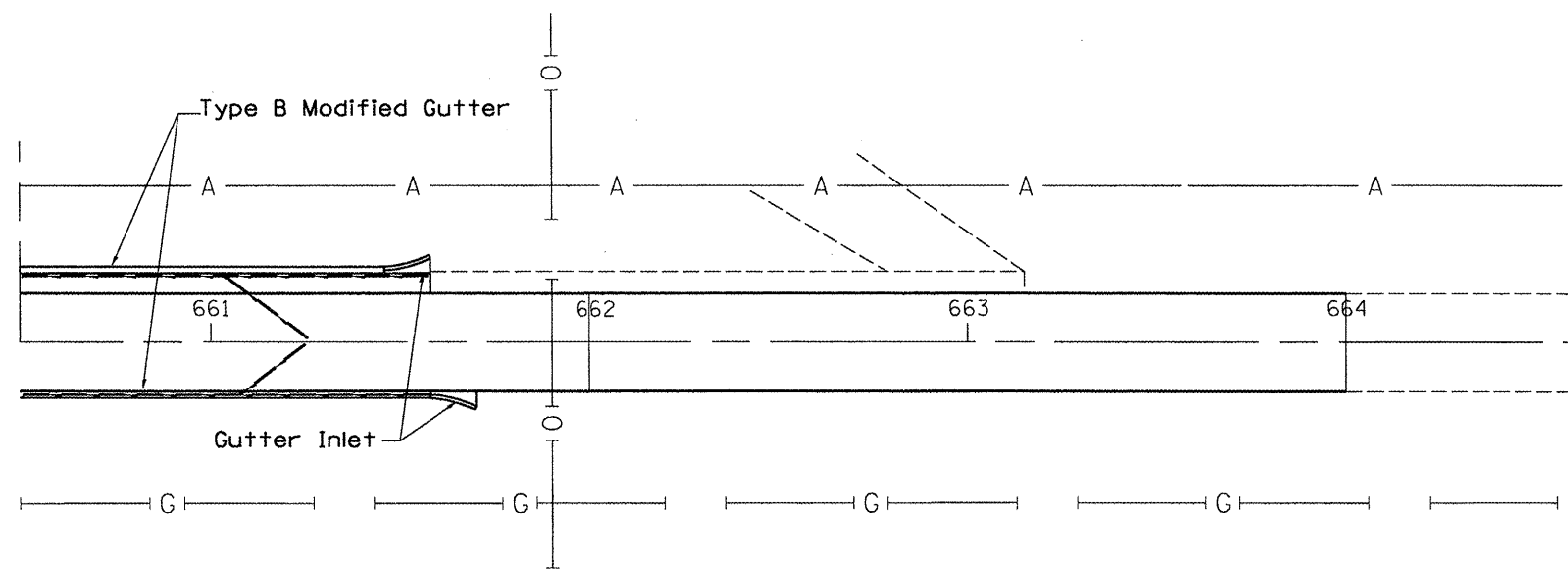


◆ Inlet & Pipe Protection

Note: Pipe Underdrains shall be rigid PVC pipe in accordance with article 601.02(I) of the Standard Specifications.

Pipe Underdrains shall be outletted into the proposed Manholes or inlets as shown, or as directed by the Engineer, in accordance with article 601.04 of the Standard Specifications.

• 25 foot gutter transition from Type B Modified to Type B6.24 under structure



| | | | | | | | | | | |
|-----------------------------------|------------------------|--|--|---|---|----------------------|---------------------------------|--------------------------|------------------------|--------------------|
| FILE NAME = D468898-Design.dgn | USER NAME = averac1 | DESIGNED - DRAWN - CHECKED - DATE - | REVISED - REVISED - REVISED - REVISED - | STATE OF ILLINOIS DEPARTMENT OF TRANSPORTATION | ROADWAY & PROPOSED UNDERDRAIN PLAN | F.A.P. RTE. 22 | SECTION . | COUNTY PEORIA | TOTAL SHEETS 100 | SHEET NO. 41 |
| | | | | | | SCALE: _____ | SHEET NO. _____ OF _____ SHEETS | STA. _____ TO STA. _____ | CONTRACT NO. 68890 | |