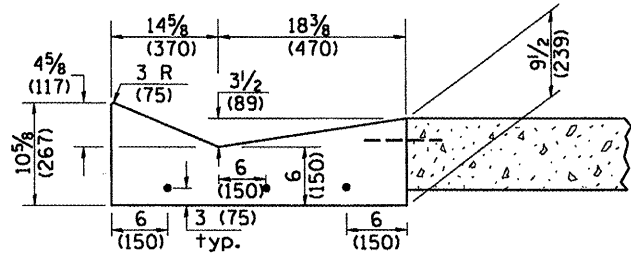
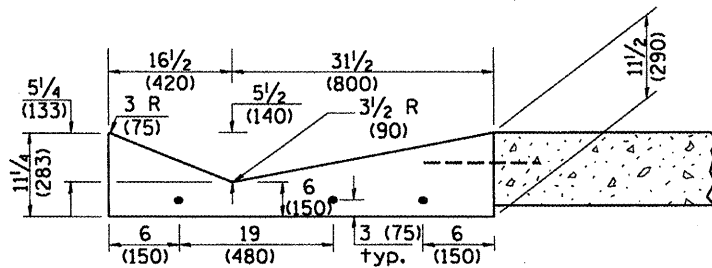


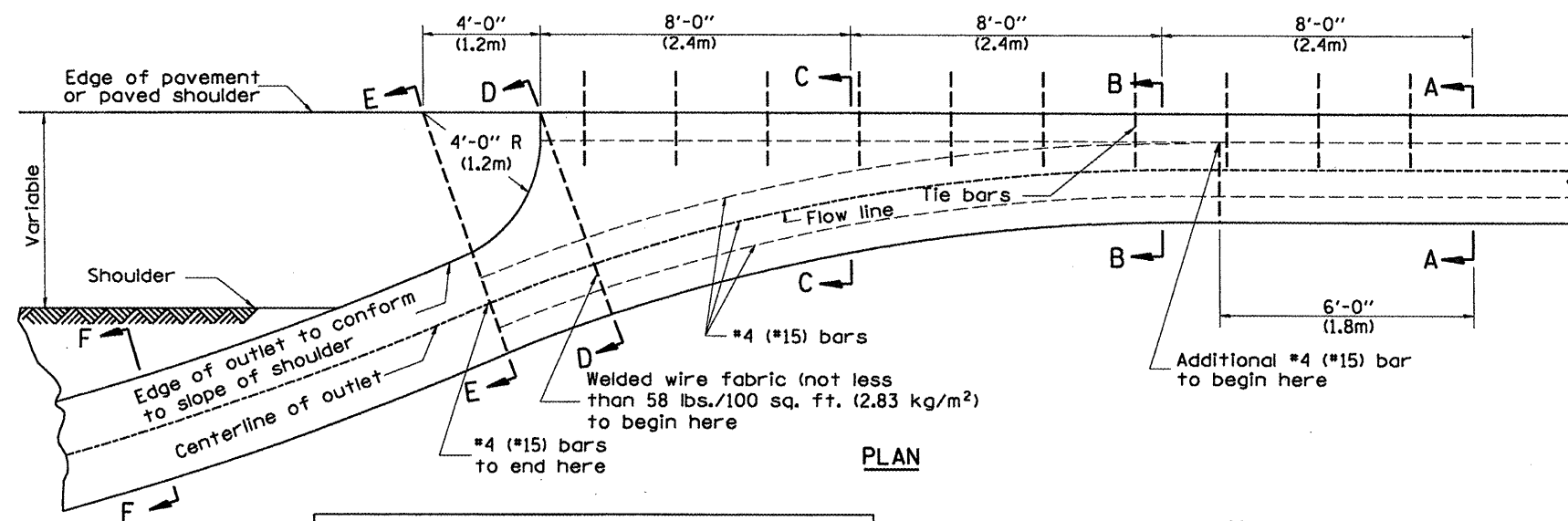
SECTION A-A



SECTION B-B



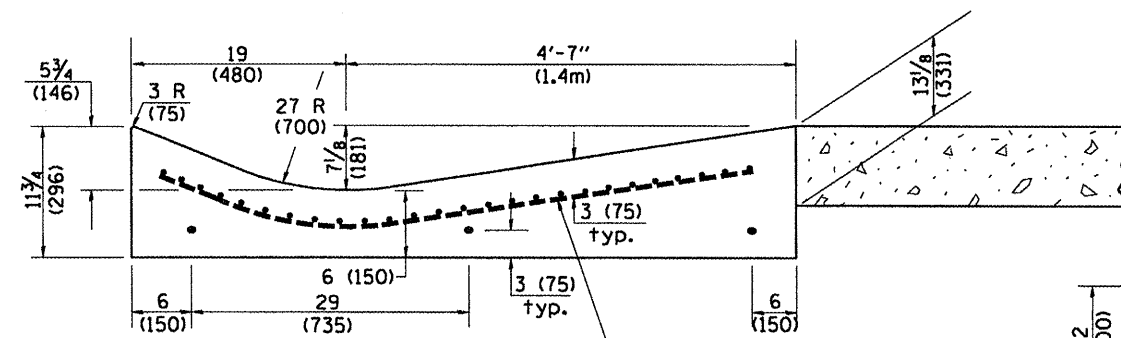
SECTION C-C



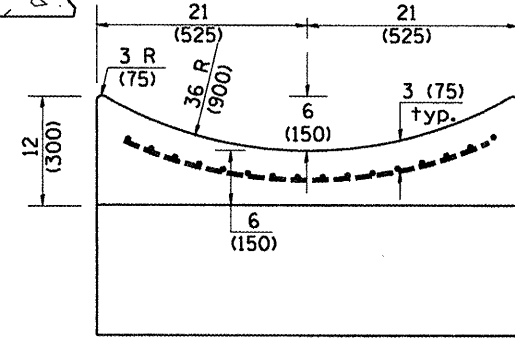
PLAN

QUANTITY
 Section A-A to E-E= 2.81 cu. yd. concrete.
 Section E-E to F-F= 0.09 cu. yd./ft. concrete.

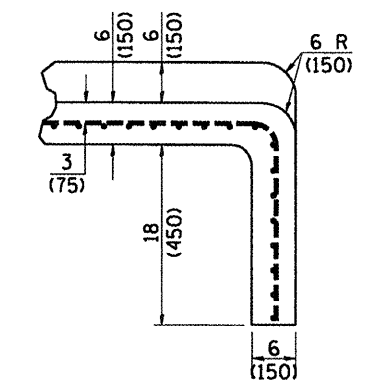
If the average grade of pavement for the distance from section A-A to section D-D exceeds 2%, this distance shall be increased 6 ft. (1.8m) for each 1% increase in grade. A quantity adjustment is required.



SECTION D-D



SECTION E-E



SECTION F-F

SECTIONS AT END OF OUTLET (CURTAIN WALL)

QUANTITY
 Curtain Wall = 0.1 cu. yd. concrete.

QUANTITIES
 CALC. BY: _____ DATE: _____
 CHECKED BY: _____ DATE: _____
 QUANTITY CALCULATIONS ARE ON FILE AT THE DISTRICT 4 OFFICE, BUREAU OF PROJECT IMPLEMENTATION, DOCUMENTATION SECTION

OUTLET

STATE OF ILLINOIS
 DEPARTMENT OF TRANSPORTATION

TYPE B GUTTER (MODIFIED)
 (INLET, OUTLET & ENTRANCE)

NOT TO SCALE

All dimensions are in inches (millimeters) unless otherwise noted.

F.A.P. RTE.	SECTION	COUNTY	TOTAL SHEETS	SHEET NO.
22		Pearla	100	48
SHEET NO. 2 OF 3			CONTRACT NO. 68890	
FED. ROAD DIST. NO. ILLINOIS FED. AID PROJECT				