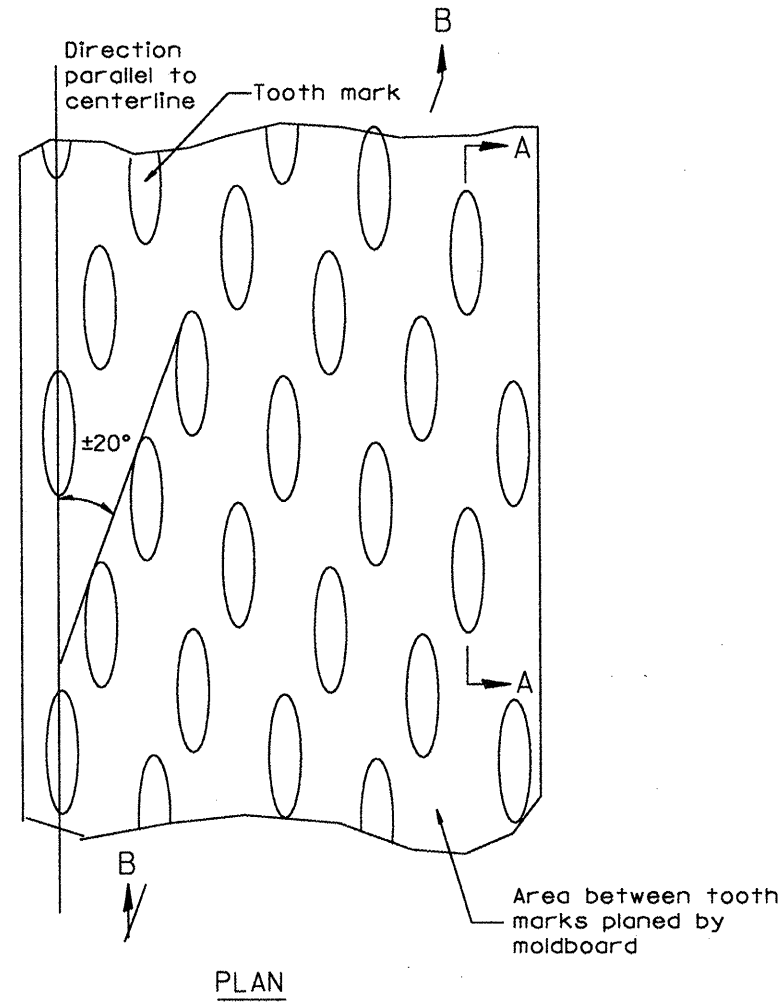
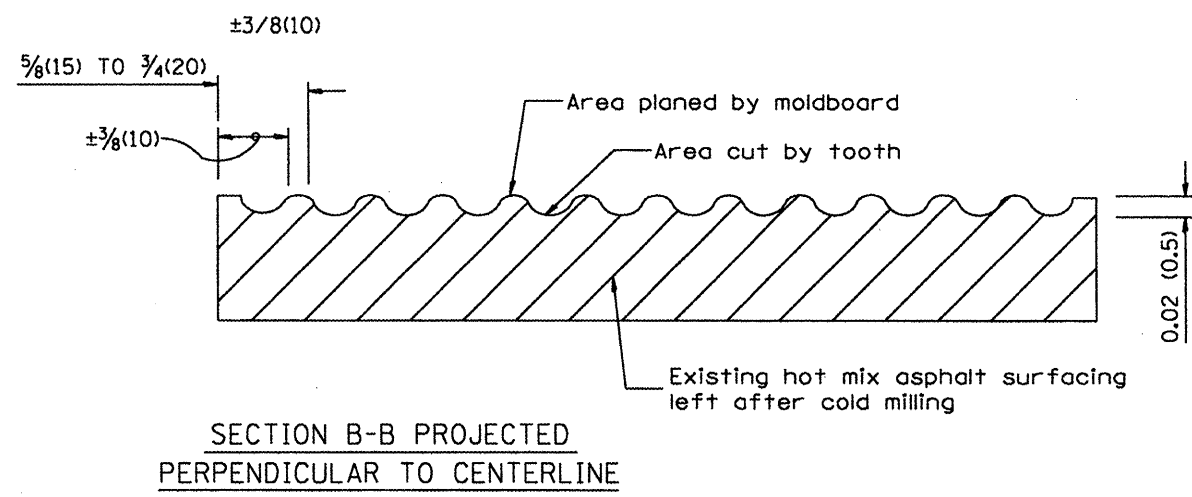
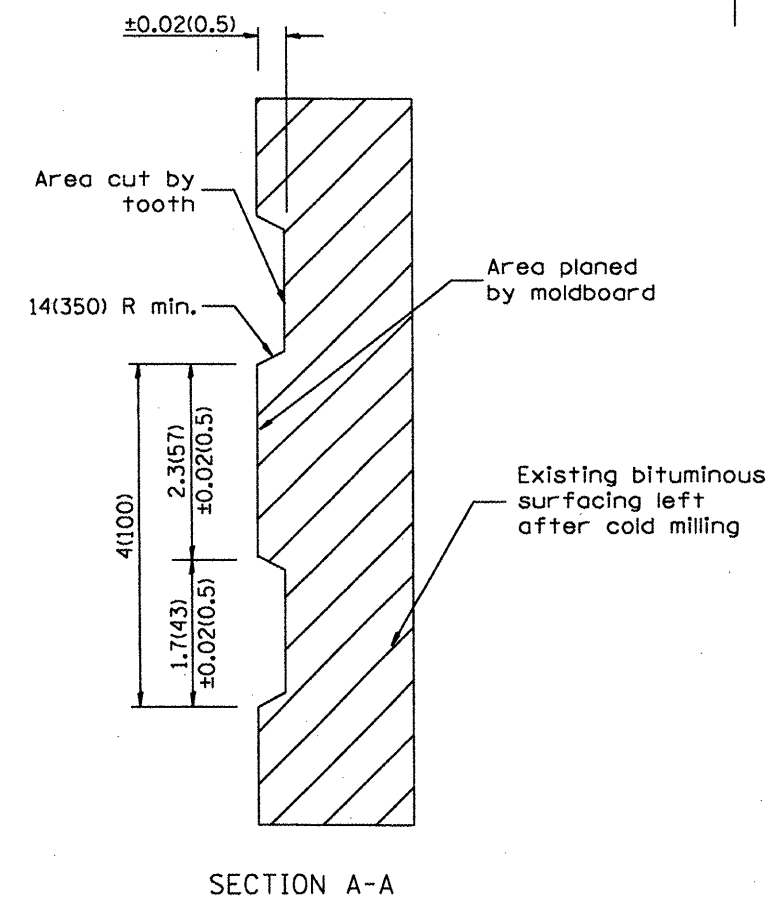


DESIGNER NOTES:
1. INCLUDE DISTRICT SPECIAL PROVISION, IF APPLICABLE.



General notes:

1. Coldmilling shall consist of two processes: Cutting with carbide teeth mounted on a rotating drum, and planing with a moldboard mounted immediately behind the cutting drum.
2. Other similar patterns will be acceptable if they consist of a smooth, flat, planed surface interspersed with a pattern of discontinuous longitudinal striations.



All dimensions are in inches (millimeters) unless otherwise noted.

01-01-97	BENUM_C:104.01_NEW_REVISION_BOX	J.P.
04-20-98	REMOVED MILLING DETAIL FROM STANDARD	J.A.
09-08-98	CORRECT NOTE LEADER PLACEMENT	B.W.
10-16-06	REVISED TO 2007 SPEC.	M.A.

**STATE OF ILLINOIS
DEPARTMENT OF TRANSPORTATION**

HOT MIX ASPHALT SURFACE REMOVAL (COLD MILLING)
NOT TO SCALE

F.A.P. RTE.	SECTION	COUNTY	TOTAL SHEETS	SHEET NO.
VAR	*	PEORIA	100	63
* 1108X, 130, 102RS-3, 129RS-4, 101RS-2		CONTRACT NO. 68890		
FED. ROAD DIST. NO. 4 ILLINOIS FED. AID PROJECT				

---CA00_S10_440001-04