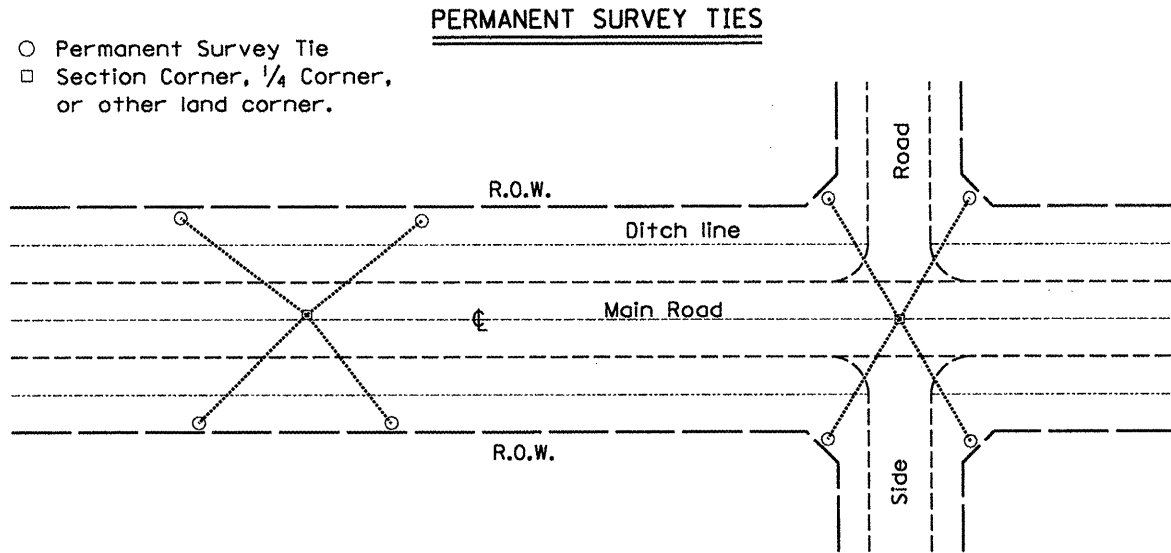


ROUTE		SECTION	COUNTY	SHEET	
F.A.P.	VAR.	*	PEORIA	TOTAL	NO.
MKD.	IL 90			100	91

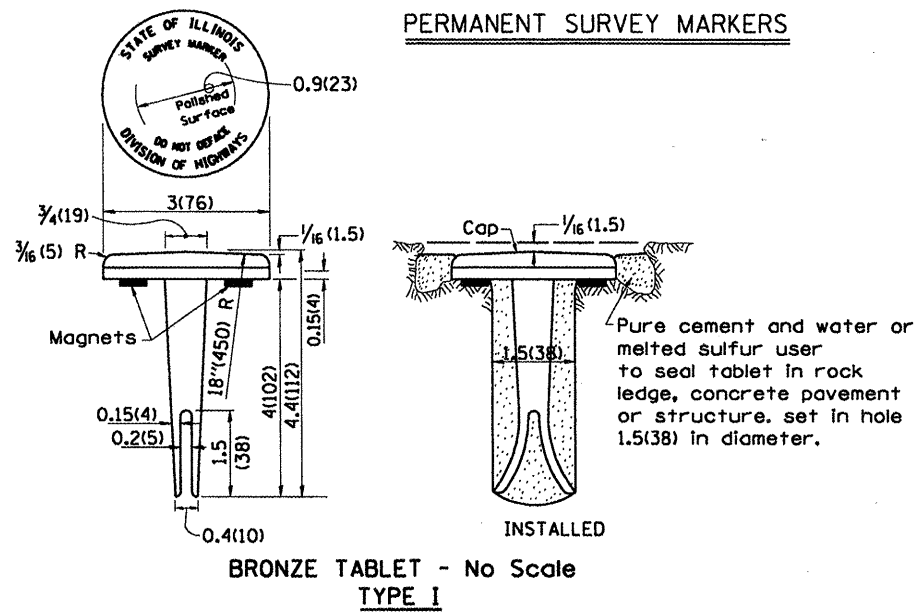
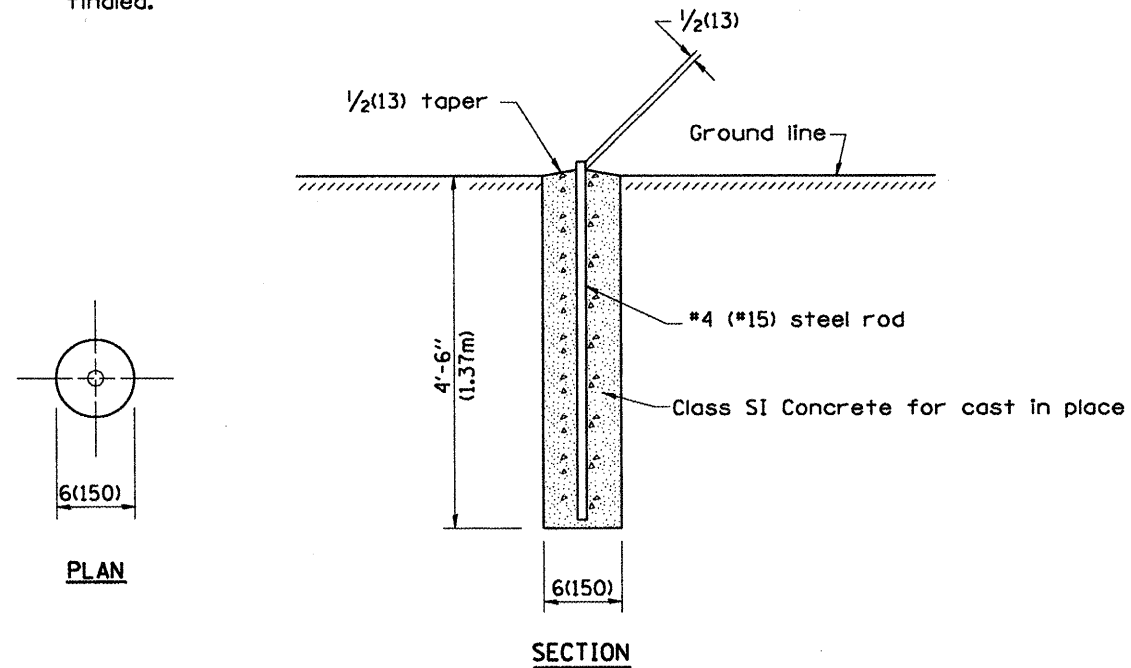
* (108X, 130, 102)RS-3; 129RS-4, 101RS-2



TYPICAL APPLICATION

GENERAL NOTES

1. The marker shall be cast in place of Class SI Concrete.
2. Tie marker shall be installed after the final seeding has been completed unless otherwise specified by the Engineer.
3. The tie distances to the section corner shall be measured, monument records drawn, and recorded, in the Peoria County Courthouse by a Licensed Professional Land Surveyor. The original monument record will be sent/turned over to the District Chief Of Surveys before the project is finalized.



GENERAL NOTES

1. Two permanent magnets, each having a diameter of 3/4 (19) and a thickness of 1/4 (6), or equivalent, shall be attached to the underside of the tablet with an approved epoxy bonding agent.
2. The location of the markers shall be in accordance with the plans in general, the markers will be placed at the P.T.'s and P.C.'s of horizontal curves and spaces along the tangents in a way that a minimum of two markers are always inter-visible, and not to exceed 1000' (300m).
3. The markers shall be placed under the direction of the Engineer for the alignment of the roadway, the markers shall be placed under the direction of a licensed land surveyor for all section corners, and shall be installed in a workmanlike manner in order that there be no further settlement or horizontal shifting. The monuments shall be placed in a way that the survey point will fall within the portion of the plaque provided for that purpose.
4. The project designation, the centerline station, the survey point, and the elevation shall be permanently marked by the use of metal dies after marker has been installed.

All dimensions are in inches (millimeters) unless otherwise noted.

**PERMANENT SURVEY TIES
AND PERMANENT SURVEY
MARKERS, TYPE I
(SPECIAL DETAIL)**

(SHEET 1 OF 1)
(NOT TO SCALE)