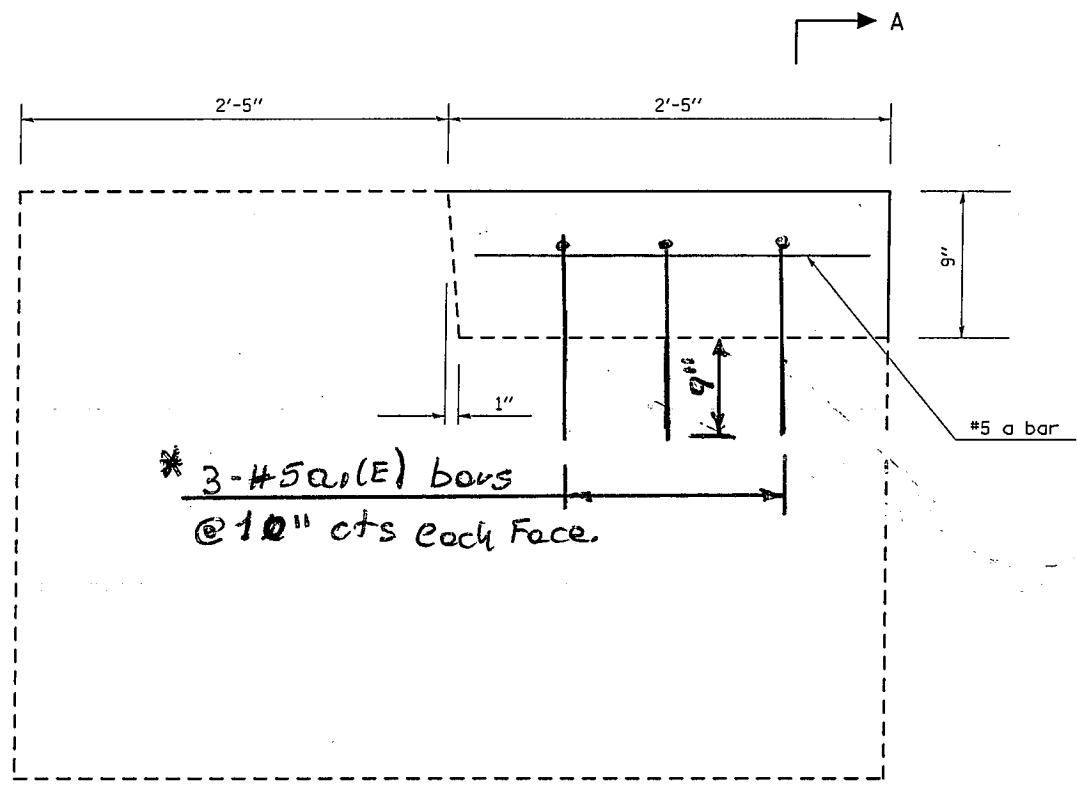


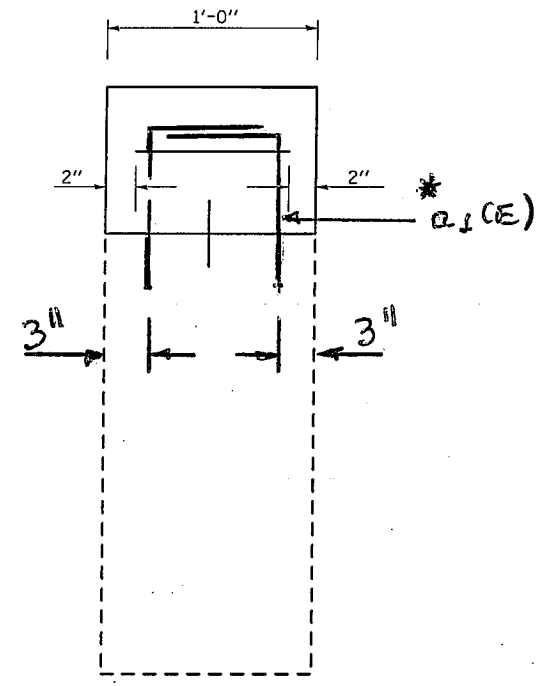
| F.A.I. RTE. | SECTION | COUNTY | TOTAL SHEETS | SHEET NO. |
|-------------|---------|--------|--------------|-----------|
| 72 | * | ** | 104 | 78 |

*74(10-70)RS-3 & (10-71,73)RS-2
 ** CHAMPAIGN & PIATT



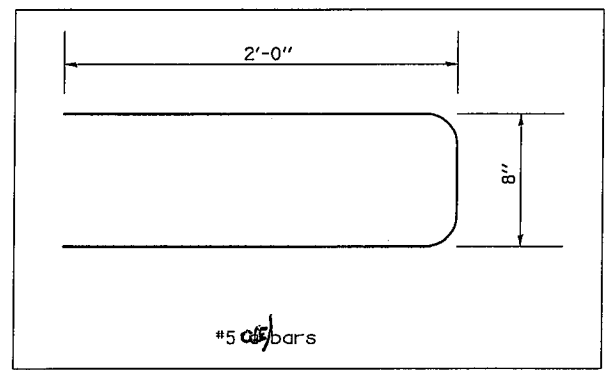
* 3-#5 a1(E) bars
 @ 10" cts each face.

SIDE VIEW OF WINGWALL



SECTION A-A

* Epoxy grout a1(E) bar in 9" min. holes according to Article 584 of the Standard Specifications. Cost included with Reinforcement Bars, Epoxy Coated.



| BILL OF MATERIALS | UNIT | SN 010-0203 | SN 010-0204 | TOTAL QUANTITY |
|----------------------------------|-------|-------------|-------------|----------------|
| CONCRETE SUPERSTRUCTURE | CU YD | 0.3 | 0.3 | 0.6 |
| REINFORCEMENT BARS, EPOXY COATED | POUND | 20.0 | 20.0 | 40.0 |

NOTE: ENGINEER SHALL VERIFY EXISTING WINGWALL DIMENSIONS PRIOR TO CONSTRUCTION.

ILLINOIS DEPARTMENT OF TRANSPORTATION
 DETAIL FOR WINGWALL EXTENSION

F.A.I. ROUTE 72
 SECTION 74(10-70)RS-3 & (10-71,73)RS-2
 CHAMPAIGN & PIATT COUNTY

SCALE: NONE
 DATE: 04/01/2009
 DRAWN BY: MLB
 CHECKED BY:

PLOT DATE = 4/13/2009
 PLOT SCALE = 1/8" = 1'-0"
 USER NAME = sherecjm