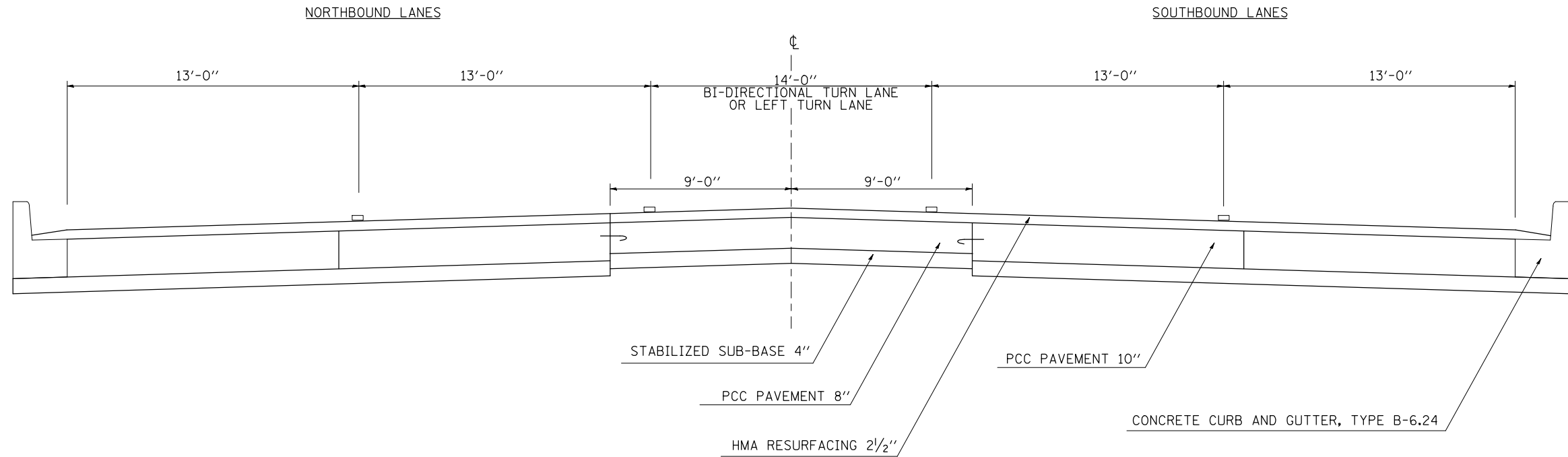


3 EXISTING TYPICAL CROSS SECTION

FAP 730 (NB & SB)

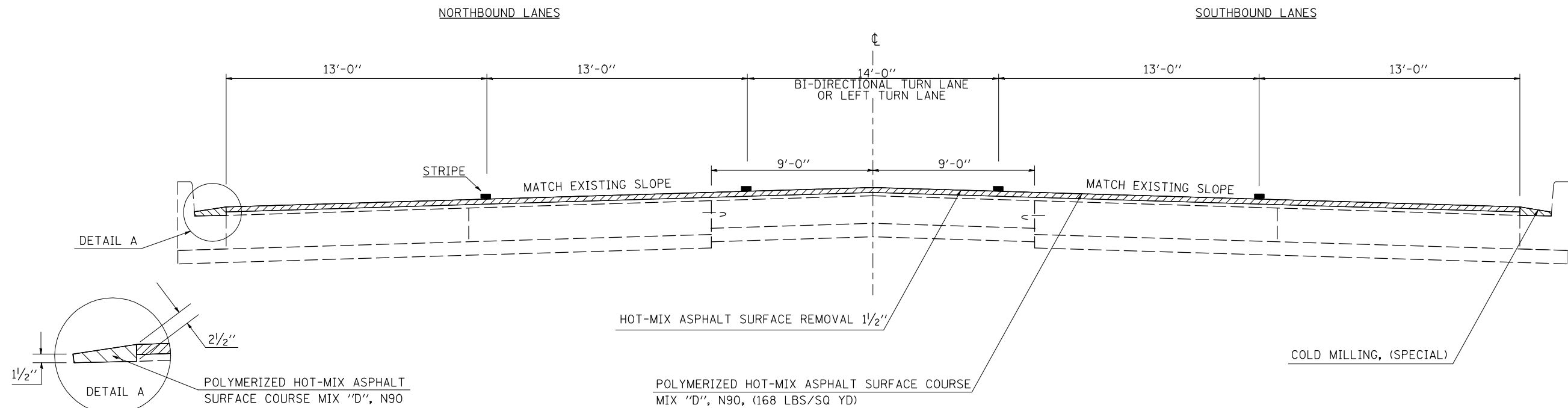
STATION	TO	STATION
② 82+16.00		④ 91+93.00
④ 105+66.00		⑤ 108+50.00



3 PROPOSED TYPICAL CROSS SECTION

FAP 730 (NB & SB)

STATION	TO	STATION
② 82+16.00		④ 91+93.00
④ 105+66.00		⑤ 108+50.00



FILE NAME =	USER NAME = bowerml	DESIGNED -	REVISED -	STATE OF ILLINOIS DEPARTMENT OF TRANSPORTATION	TYPICAL CROSS SECTIONS			F.A.P. RTE.	SECTION	COUNTY	TOTAL SHEETS	SHEET NO.
ct:\pw\work\p\dot\bowerml\d0128832\70775\sh\typical.dgn	DRAWN - MLB	REVISIONS -			730	(61,62Z,62R,62Z-1,3)RS-1,2,3	MCLEAN	89	11			
PLOT SCALE = 40.0000' / IN.	CHECKED - GTR	REVISIONS -			CONTRACT NO. 70775							
PLOT DATE = 3/26/2009	DATE - 2/19/09	REVISIONS -			SCALE: N/A	SHEET NO. OF SHEETS	STA. TO STA.	ILLINOIS FED. AID PROJECT				