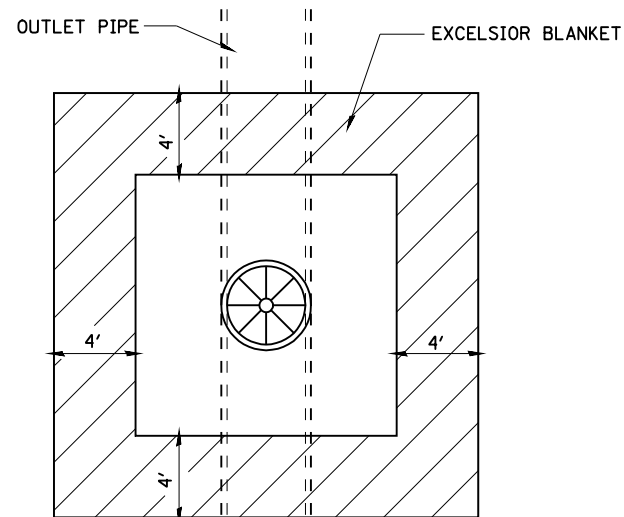
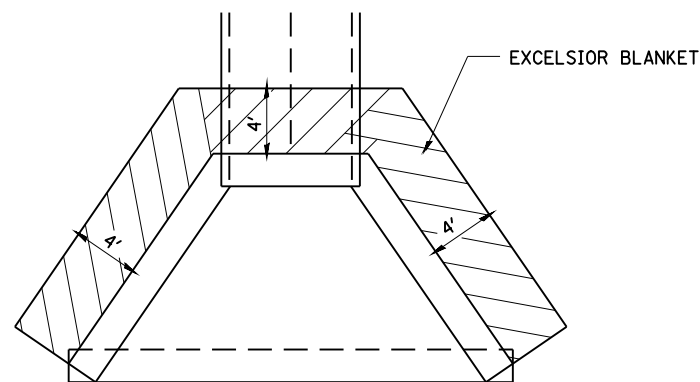


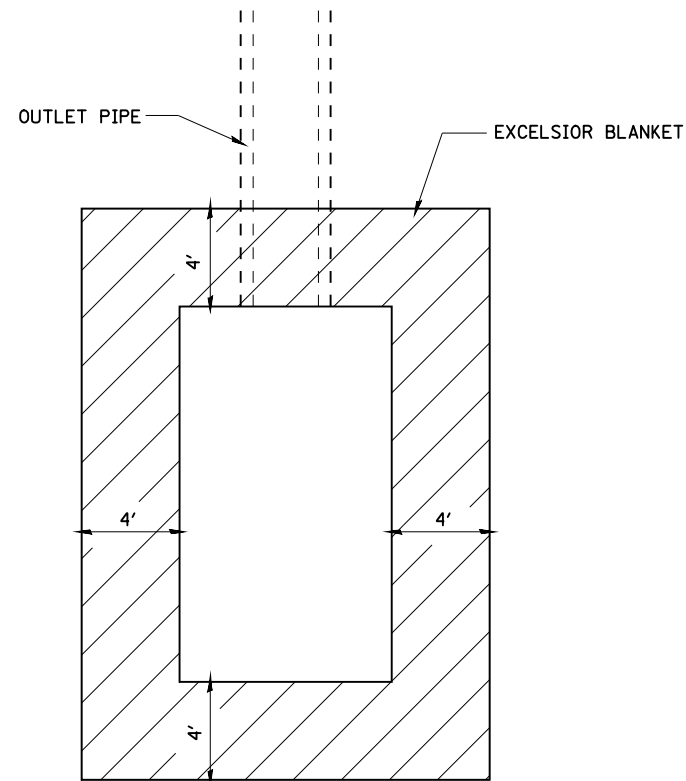
F.A.S. RTE.	SECTION	COUNTY	TOTAL SHEETS	SHEET NO.
1613	21N	SANGAMON	46	28
FED. ROAD DIST. NO.		ILLINOIS	FED. AID PROJECT	



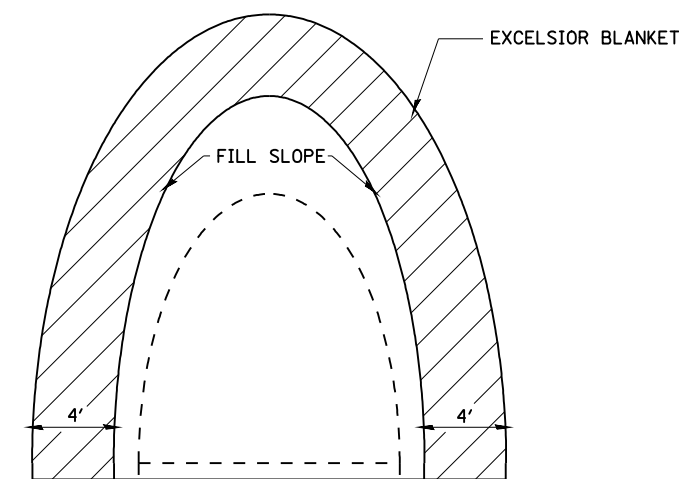
EXCELSIOR BLANKET AROUND  
MANHOLE, TYPE A  
W/TYPE 1 FRAME, CLOSED LID



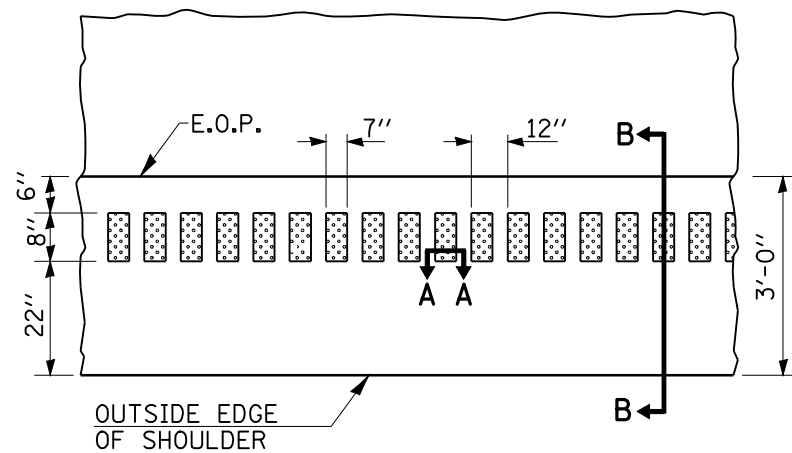
EXCELSIOR BLANKET AROUND  
HEADWALLS & CULVERT WINGWALLS



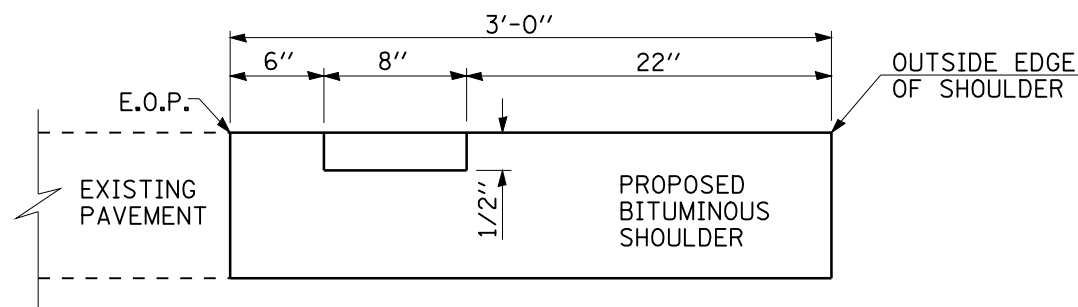
EXCELSIOR BLANKET AROUND  
HEADWALL FOR PIPE UNDERDRAIN  
STD 601101



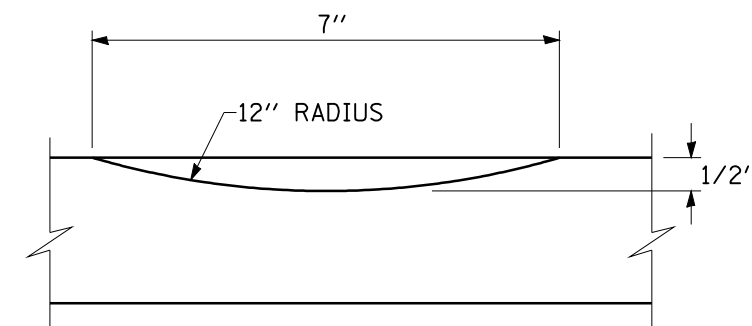
EXCELSIOR BLANKET AROUND  
FLARED END SECTION  
STD 542301



**PLAN VIEW**



**SECTION B-B**



**SECTION A-A**

\*-D-6 RUMBLE STRIPS 2008-01

REVISIONS	
NAME	DATE

ILLINOIS DEPARTMENT OF TRANSPORTATION  
**HEAVY DUTY EXCELSIOR BLANKET  
AND  
RUMBLE STRIP DETAILS**

SCALE: VERT. \_\_\_\_\_  
HORIZ. \_\_\_\_\_  
DATE \_\_\_\_\_ DRAWN BY \_\_\_\_\_  
CHECKED BY \_\_\_\_\_

c:\p\work\p\1000\LAUGH\INRL\dms26452\15-de-basis-10dot-rvd.dgn  
Apr-06-2009 10:04:18AM  
\*REF01