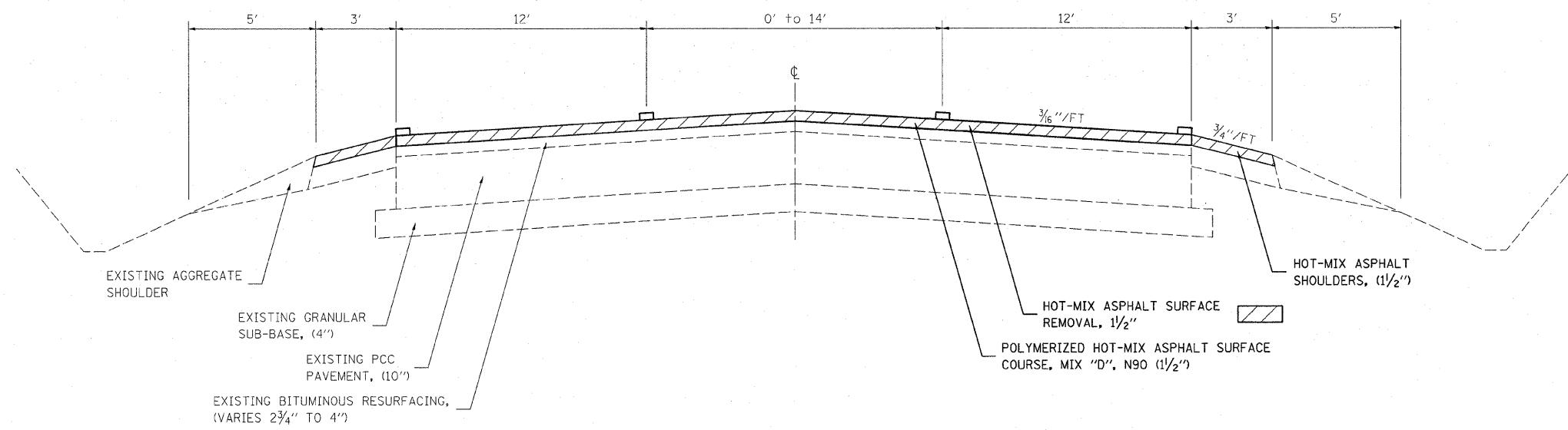


TYPICAL SECTION
STA 338+60 TO STA 543+05

* FIRST STAGE:
MILL EXISTING PAVEMENT AND SHOULDER TO WITHIN 2 1/4" OF THE ORIGINAL PCC PAVEMENT.

SECOND STAGE:
MILL ONLY EXISTING PAVEMENT TO ORIGINAL PCC PAVEMENT UNTIL 1/4" IS SCARIFIED.



TYPICAL SECTION
STA 543+05 TO STA 556+70

FILE NAME =	USER NAME = staffennk	DESIGNED -	REVISED -	STATE OF ILLINOIS DEPARTMENT OF TRANSPORTATION	TYPICAL SECTIONS			F.A.P. RTE.	SECTION	COUNTY	TOTAL SHEETS	SHEET NO.
c:\pwork\PWIDOT\STEFFENMK\0121428\074864-sht-typ.dgn		DRAWN -	REVISED -					327	(4-2)RS-4	Richland	16	4
PLOT SCALE = 50.0000' / IN.		CHECKED -	REVISED -		SCALE: SHEET NO. OF SHEETS STA. TO STA.			CONTRACT NO. 74064				
PLOT DATE = 4/10/2009		DATE -	REVISED -		ILLINOIS FED. AID PROJECT							