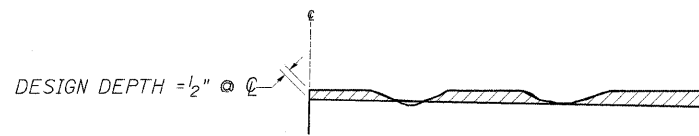


MILLING TRANSITION DETAIL

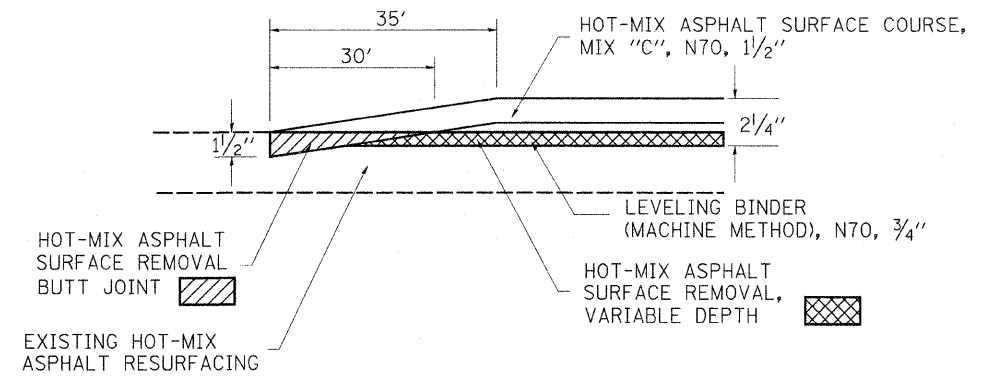
STATION 157+15 TO STATION 157+50 (COLES COUNTY)
 STATION 172+50 TO STATION 172+85 (COLES COUNTY)
 STATION 219+77 TO STATION 220+12 (COLES COUNTY)
 STATION 432+85 TO STATION 433+20 (CUMBERLAND COUNTY)



NOTES:

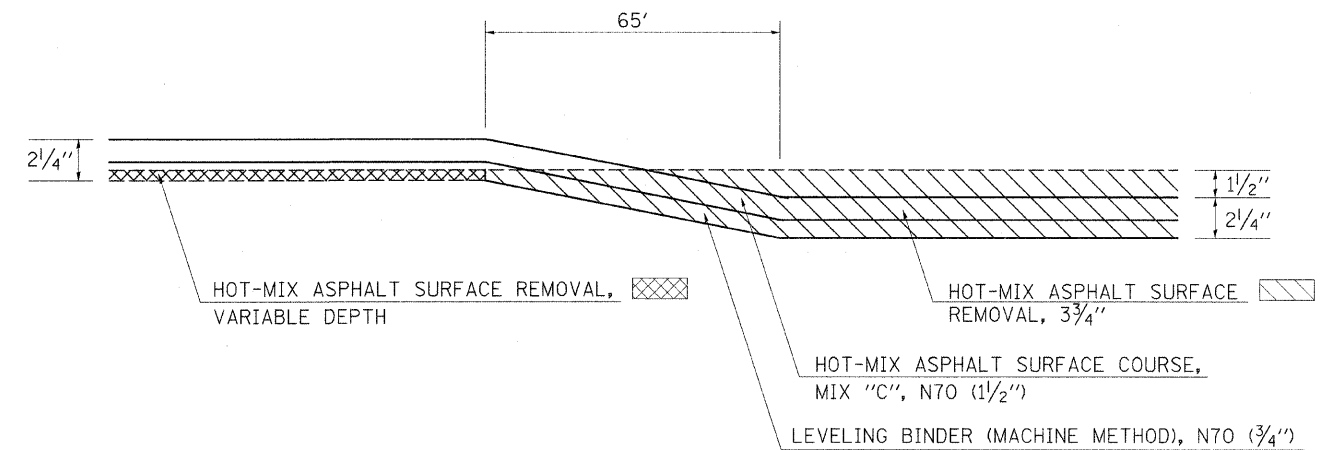
- MILLING SHALL BE DONE TO ATTAIN A 3/16" /' SLOPE IN CROWN SECTIONS
- EXISTING S.E. AND S.E. TRANSITIONS SHALL BE MAINTAINED UNLESS OTHERWISE SHOWN ON THE PLANS.
- MILLING TO THE BOTTOM OF WHEEL RUTS SHALL NOT BE NECESSARY UNLESS REQUIRED TO OBTAIN SLOPE OR THE DESIGN DEPTH AT CENTERLINE.
- THE AVERAGE DEPTH OF MILLING IS ESTIMATED TO BE 1/2" BUT MAY VARY IN ISOLATED LOCATIONS.

HOT-MIX ASPHALT SURFACE REMOVAL (VARIABLE DEPTH) DETAIL



BUTT JOINT DETAIL

STATION 151+00 TO STATION 151+35 (COLES COUNTY)
 STATION 178+65 TO STATION 179+00 (COLES COUNTY)
 STATION 251+65 TO STATION 252+00 (CUMBERLAND COUNTY)
 STATION 257+41 TO STATION 257+76 (CUMBERLAND COUNTY)
 STATION 266+15 TO STATION 266+50 (CUMBERLAND COUNTY)
 STATION 270+10 TO STATION 270+45 (CUMBERLAND COUNTY)
 STATION 374+02.84 TO STATION 374+37.84 (CUMBERLAND COUNTY)
 STATION 376+35.15 TO STATION 376+70.15 (CUMBERLAND COUNTY)



MILLING TRANSITION DETIL

STATION 407+85 TO STATION 408+50 (COLES COUNTY)
 STATION 412+60 TO STATION 413+25 (COLES COUNTY)
 STATION 440+85 TO STATION 441+50 (COLES COUNTY)
 STATION 453+88 TO STATION 454+53 (COLES COUNTY)
 STATION 467+85 TO STATION 468+50 (COLES COUNTY)
 STATION 472+30 TO STATION 472+95 (COLES COUNTY)
 STATION 220+65 TO STATION 221+30 (CUMBERLAND COUNTY)
 STATION 237+50 TO STATION 238+15 (CUMBERLAND COUNTY)
 STATION 274+35 TO STATION 275+00 (CUMBERLAND COUNTY)
 STATION 290+00 TO STATION 290+65 (CUMBERLAND COUNTY)
 STATION 292+10 TO STATION 292+75 (CUMBERLAND COUNTY)
 STATION 299+50 TO STATION 300+15 (CUMBERLAND COUNTY)
 STATION 344+55 TO STATION 345+20 (CUMBERLAND COUNTY)
 STATION 352+50 TO STATION 353+15 (CUMBERLAND COUNTY)
 STATION 392+95 TO STATION 393+60 (CUMBERLAND COUNTY)
 STATION 417+80 TO STATION 418+45 (CUMBERLAND COUNTY)
 STATION 420+35 TO STATION 421+00 (CUMBERLAND COUNTY)
 STATION 427+85 TO STATION 428+50 (CUMBERLAND COUNTY)

FILE NAME =	USER NAME = swartzrk	DESIGNED -	REVISED -	STATE OF ILLINOIS DEPARTMENT OF TRANSPORTATION	CONSTRUCTION DETAILS	F.A.P. RTE.	SECTION	COUNTY	TOTAL SHEETS	SHEET NO.	
ct:\pwork\pwidot\SMART.ZRW\d0119059\d7	4262-sht-details.dgn	DRAWN -	REVISED -			116	(111,112,113-1)RS-6		20	9	
	PLT SCALE = 20,0000 ' / IN.	CHECKED -	REVISED -			CONTRACT NO. 74262					
	PLT DATE = 4/18/2009	DATE -	REVISED -			FED. ROAD DIST. NO. [ILLINOIS] FED. AID PROJECT					
					SCALE: NA	SHEET NO. 1 OF 1 SHEETS		STA.	TO STA.		

• COLES AND CUMBERLAND COUNTIES