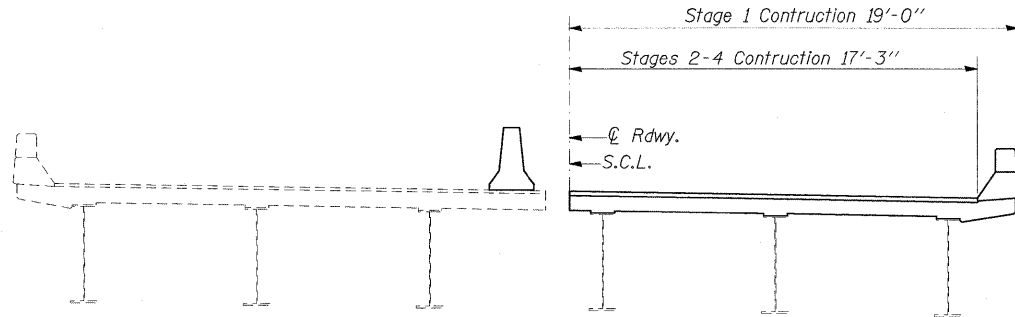
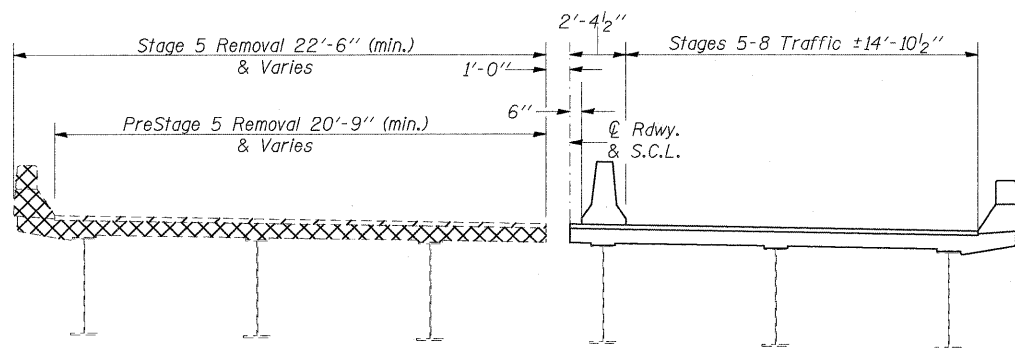


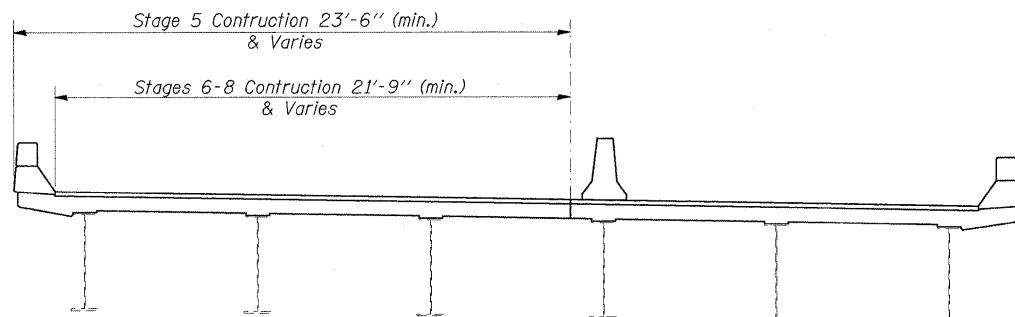
STAGE 1 REMOVAL



STAGES 1-4 CONSTRUCTION



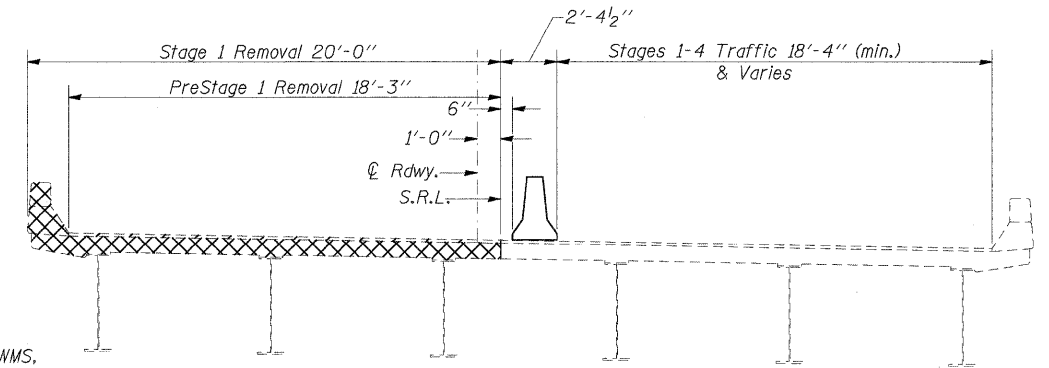
STAGE 5 REMOVAL



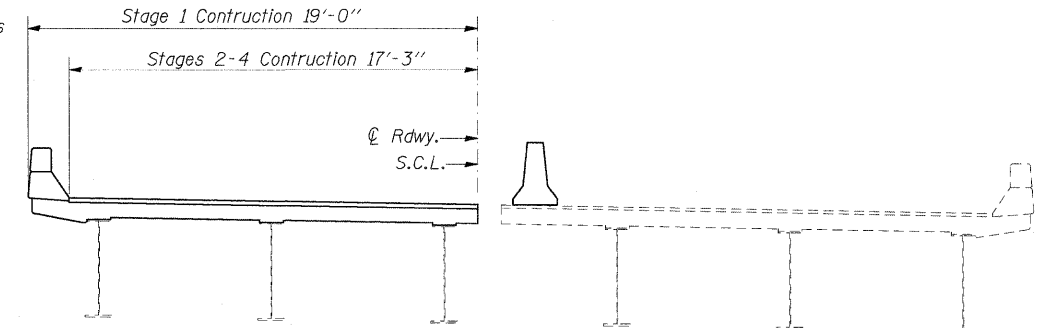
STAGES 5-8 CONSTRUCTION

SUGGESTED SEQUENCE OF CONSTRUCTION

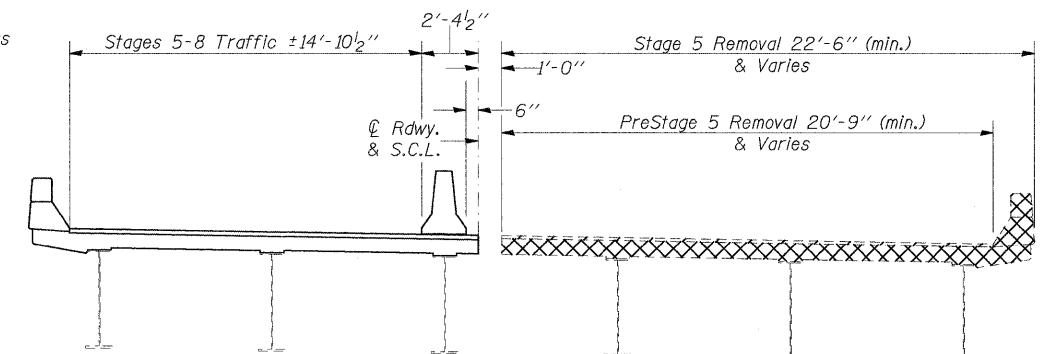
- Pre-Stage 1 Removal: Remove the existing 2" HMA surface/WMS, using T.C.&P. Standard 701401.
- Stage 1 Removal: Setup T.C.&P. Standard 701402 as shown on sheet 4 for the North Abut., South Abut., and Pier 16. Perform Concrete Removal etc. as specified on the joint detail sheets.
- Stage 1 Construction: Construct new Strip Seal Joints etc. as specified at North Abut., South Abut., and Pier 16.
- Stage 2 Construction: Setup T.C.&P. 701402 as shown on sheet 5, Hydroscarify 1/2" and construct Microsilica Concrete Overlay 2 1/2".
- Stage 3 Construction: Setup (Relocate) T.C.&P. 701402 as shown on sheet 6, Hydroscarify 1/2" and construct Microsilica Concrete Overlay 2 1/2".
- Stage 4 Construction: Setup (Relocate) T.C.&P. 701402 as shown on sheet 7, Hydroscarify 1/2" and construct Microsilica Concrete Overlay 2 1/2".
- Pre-Stage 5 Removal: Remove the existing 2" HMA surface/WMS, using T.C.&P. Standard 701401.
- Stage 5 Removal: Setup T.C.&P. Standard 701402 as shown on sheet 8 for the North Abut., South Abut., and Pier 16. Perform Concrete Removal etc. as specified on the joint detail sheets.
- Stage 5 Construction: Construct new Strip Seal Joints etc. as specified at North Abut., South Abut., and Pier 16.
- Stage 6 Construction: Setup T.C.&P. 701402 as shown on sheet 9, Hydroscarify 1/2" and construct Microsilica Concrete Overlay 2 1/2".
- Stage 7 Construction: Setup (Relocate) T.C.&P. 701402 as shown on sheet 10, Hydroscarify 1/2" and construct Microsilica Concrete Overlay 2 1/2".
- Stage 8 Construction: Setup (Relocate) T.C.&P. 701402 as shown on sheet 11, Hydroscarify 1/2" and construct Microsilica Concrete Overlay 2 1/2".



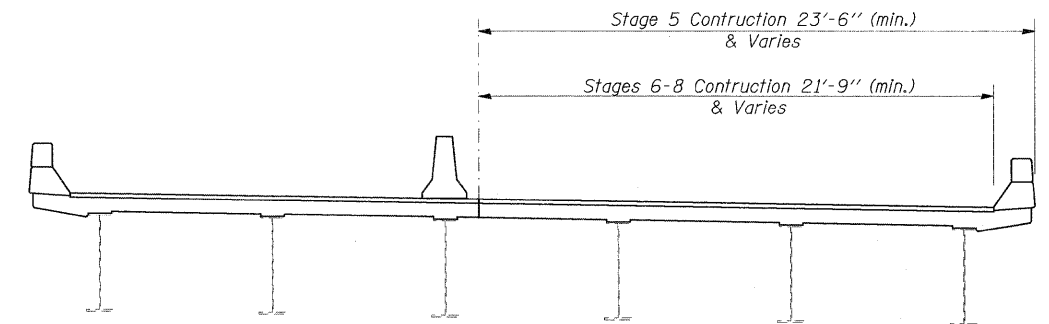
STAGE 1 REMOVAL



STAGES 1-4 CONSTRUCTION



STAGE 5 REMOVAL

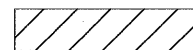


STAGES 5-8 CONSTRUCTION

**STAGE CONSTRUCTION
ALEXANDER COUNTY
S.N. 002-0023 & 002-0024**



Concrete Removal at Abuts or Pier 16



HMA Surface Removal

NOTES:

If the contractor chooses to modify the Suggested Sequence of Construction, the contractor shall submit a revised sequence of construction and traffic control layout details for review and acceptance by the Engineer. All Sections looking South.

FILE NAME =	USER NAME = halsteadtw	DESIGNED -	REVISED -	STATE OF ILLINOIS DEPARTMENT OF TRANSPORTATION	STAGE CONSTRUCTION SN 002-0023 & 002-0024	F.A.I. RTE.	SECTION	COUNTY	TOTAL SHEETS	SHEET NO.	
cd:\pw_work\PWIDOT\HALSTEADTW\0113592\002-0023.dgn		DRAWN -	REVISED -			57	D9BSMART FY09-2	ALEXANDER	45	15	
PLOT SCALE = 4.0000' / IN.		CHECKED -	REVISED -			CONTRACT NO. 78111					
PLOT DATE = 4/3/2009		DATE -	REVISED -			SCALE:	SHEET NO.	OF	SHEETS	STA.	TO
						FED. ROAD DIST. NO.		ILLINOIS FED. AID PROJECT			